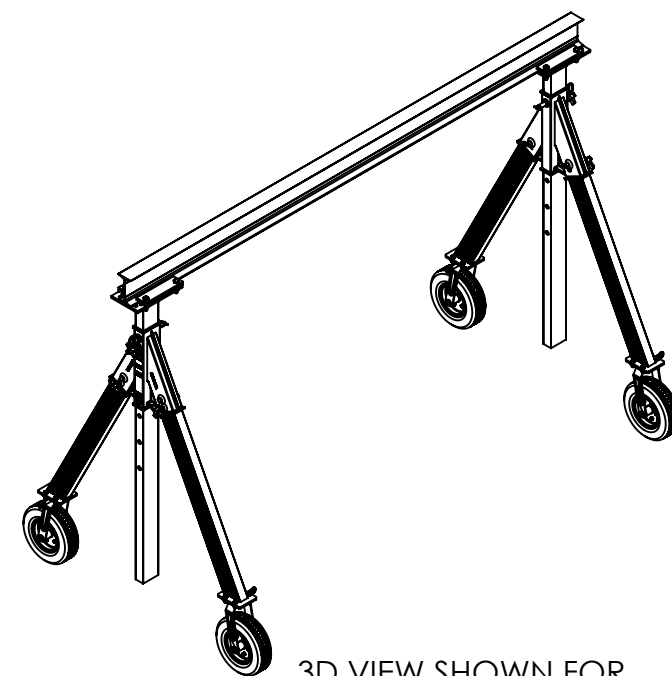
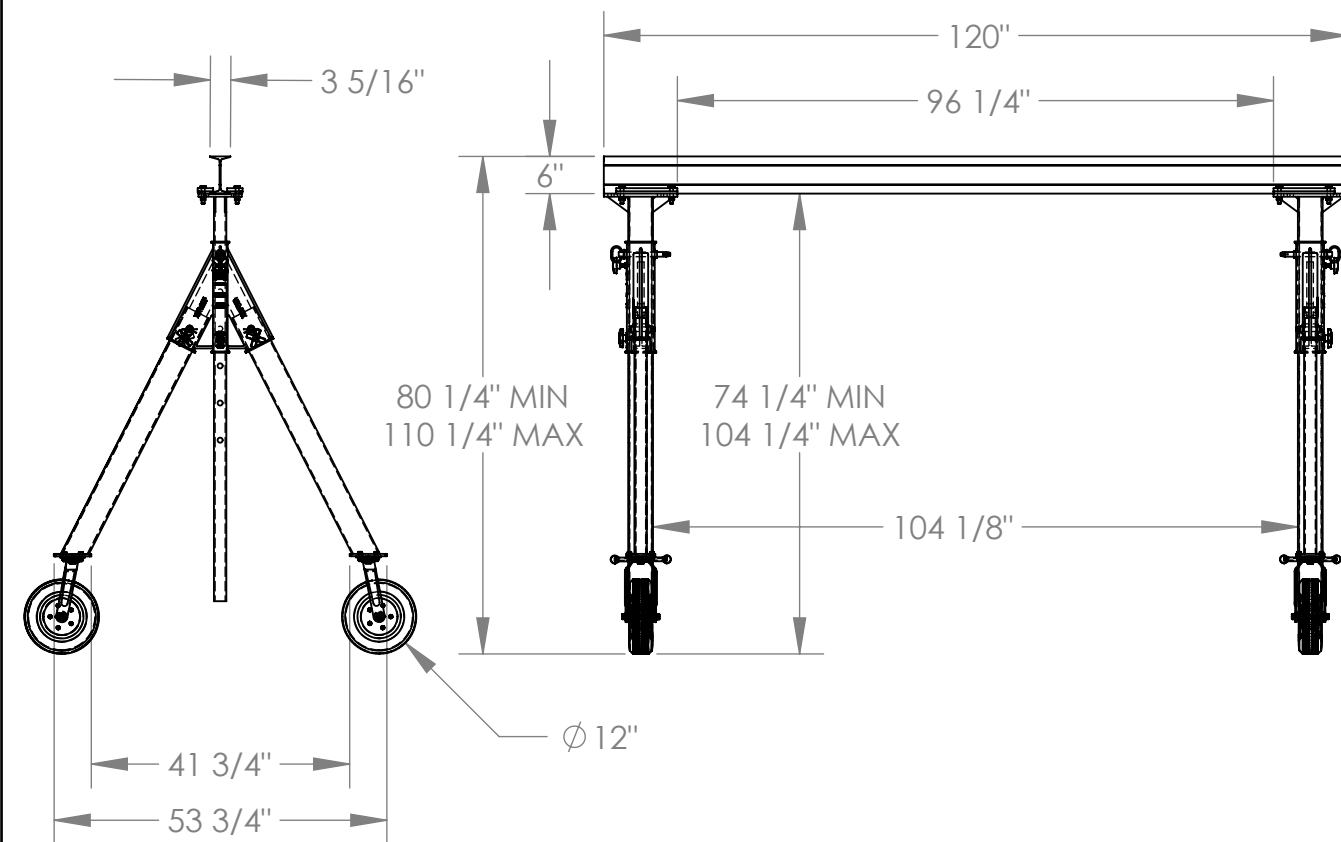


ADJUSTABLE ALUMINUM GANTRY CRANE -AHA-15-10-8-PNU

APPROX WEIGHT: 275 lbs.
DOES NOT INCLUDE WEIGHT OF POWER OR PACKAGING!!!

*** ANY ADDITIONS, DELETIONS, OR OMISSIONS MUST BE CORRECTED ON THIS DRAWING AS THIS DRAWING WILL BE CONSIDERED ALL INCLUSIVE ***

ALL GRAPHICS PROVIDED ARE FOR REFERENCE ONLY. IF CERTAIN DIMENSIONS ARE CRITICAL PLEASE VERIFY THOSE DIMENSIONS WITH YOUR SALESPERSON



3D VIEW SHOWN FOR REFERENCE ONLY

DIMENSION TOLERANCE $\pm 1/4"$

I, THE UNDERSIGNED, AGREE THAT THE PRODUCT AS REPRESENTED SATISFIES DESIGN AND DIMENSION REQUIREMENTS. I ALSO ACKNOWLEDGE MY DUTY TO CONFIRM PRODUCT AND INSTALLATION COMPLIANCE WITH ALL APPLICABLE FEDERAL, STATE AND LOCAL REGULATIONS AND STANDARDS.

ANY MODIFIED UNITS ARE NON-RETURNABLE

As drawn As marked

Signed: _____ Date: _____

Printed Name: _____

LEAD TIME WILL START UPON RECEIPT OF SIGNED APPROVAL DRAWING

APPROVAL

STANDARD FEATURES

MODEL NUMBER IS AHA-15-10-8-PNU
CAPACITY IS 1,500 LBS.

BASE WIDTH IS 53 3/4"
MAX OVERALL HEIGHT IS 110 1/4"
I-BEAM HEIGHT IS 6"

I-BEAM FLANGE WIDTH IS 3 5/16"
OVERALL I-BEAM LENGTH IS 120"

USABLE I-BEAM LENGTH IS 96 1/4"
ADJUSTABLE UNDER I-BEAM HEIGHT

74 1/4" MIN

104 1/4" MAX

HEIGHT IS ADJUSTABLE IN 6" INCREMENTS

CASTERS: (4) $\varnothing 12"$ X 3 1/2" WIDE
PNEUMATIC SWIVEL CASTERS WITH
FOUR LOCKING POSITIONS

SPECIAL FEATURES

NONE

FOR INTERNAL USE ONLY
PROJECT SIGN OFF

SALES	
ENG.	
FAB.	
POWER	

DISTRIBUTOR'S NAME:

VESTIL MANUFACTURING

P.O.# X

W.O.# X

DRAWN BY: ND

DATE: 07/11/13

SALES: X

REFERENCE: X

SCALE: 1:31

FILE NAME:

QUOTED LEAD TIME: X

QUOTE # X

28-007-288