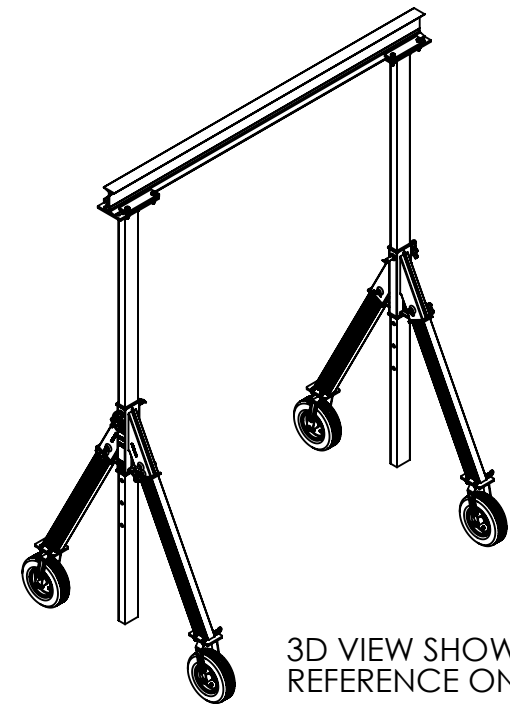
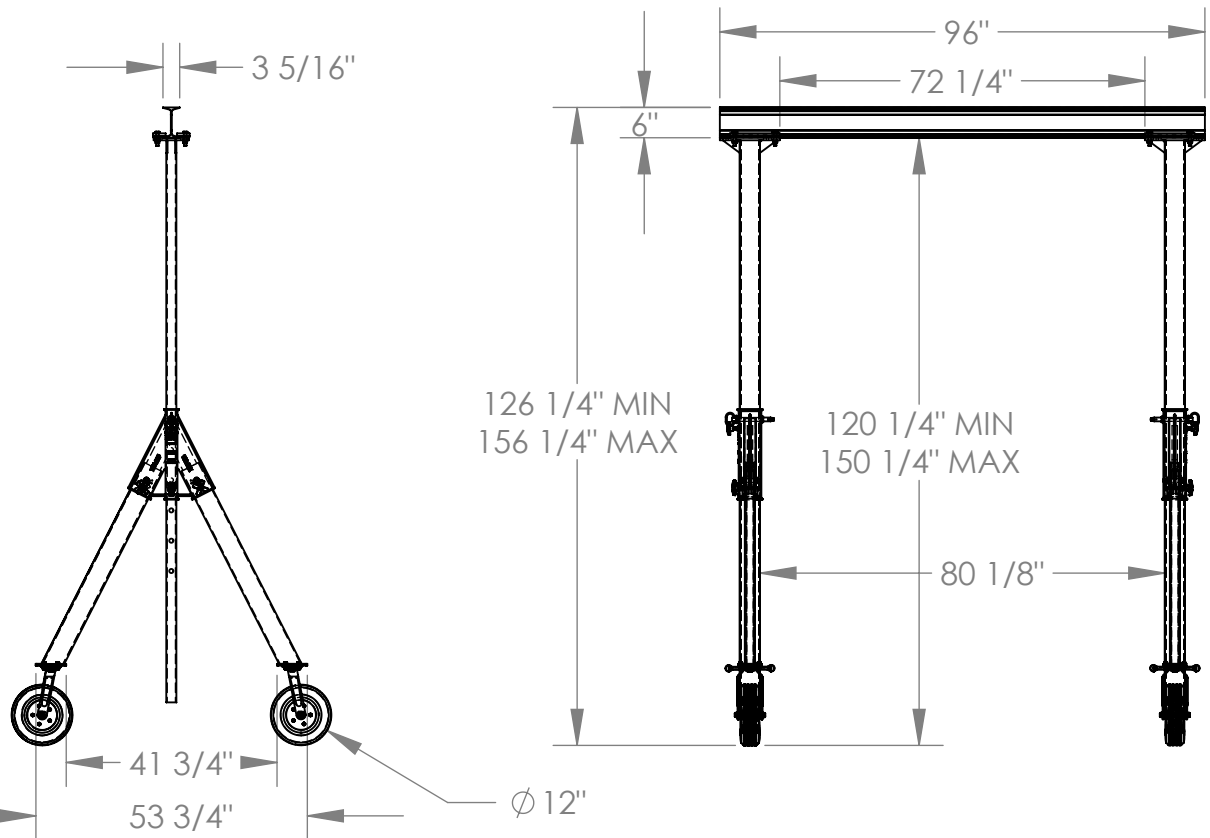


# ADJUSTABLE ALUMINUM GANTRY CRANE -AHA-15-8-12-PNU

APPROX WEIGHT: 288 lbs.  
 DOES NOT INCLUDE WEIGHT OF POWER OR PACKAGING!!!

\*\*\* ANY ADDITIONS, DELETIONS, OR OMISSIONS MUST BE CORRECTED ON THIS DRAWING AS THIS DRAWING WILL BE CONSIDERED ALL INCLUSIVE \*\*\*  
 ALL GRAPHICS PROVIDED ARE FOR REFERENCE ONLY. IF CERTAIN DIMENSIONS ARE CRITICAL PLEASE VERIFY THOSE DIMENSIONS WITH YOUR SALESPERSON



## STANDARD FEATURES

## SPECIAL FEATURES

MODEL NUMBER IS AHA-15-8-12-PNU  
 CAPACITY IS 1,500 LBS.  
 BASE WIDTH IS 53  $\frac{3}{4}$ "  
 MAX OVERALL HEIGHT IS 156  $\frac{1}{4}$ "  
 I-BEAM HEIGHT IS 6"  
 I-BEAM FLANGE WIDTH IS  $3 \frac{5}{16}$ "  
 OVERALL I-BEAM LENGTH IS 96"  
 USABLE I-BEAM LENGTH IS  $72 \frac{1}{4}$ "  
 ADJUSTABLE UNDER I-BEAM HEIGHT

NONE

120  $\frac{1}{4}$ " MIN  
 150  $\frac{1}{4}$ " MAX  
 HEIGHT IS ADJUSTABLE IN 6" INCREMENTS  
 CASTERS: (4)  $\phi 12$ " X 3  $\frac{1}{2}$ " WIDE  
 PNEUMATIC SWIVEL CASTERS WITH  
 FOUR LOCKING POSITIONS

### DIMENSION TOLERANCE $\pm \frac{1}{4}$ "

I, THE UNDERSIGNED, AGREE THAT THE PRODUCT AS REPRESENTED SATISFIES DESIGN AND DIMENSION REQUIREMENTS. I ALSO ACKNOWLEDGE MY DUTY TO CONFIRM PRODUCT AND INSTALLATION COMPLIANCE WITH ALL APPLICABLE FEDERAL, STATE AND LOCAL REGULATIONS AND STANDARDS.

**ANY MODIFIED UNITS ARE NON-RETURNABLE**

[ ] As drawn [ ] As marked

Signed: \_\_\_\_\_ Date: \_\_\_\_\_

Printed Name: \_\_\_\_\_

LEAD TIME WILL START UPON RECEIPT OF SIGNED APPROVAL DRAWING

APPROVAL

FOR INTERNAL USE ONLY PROJECT SIGN OFF	
SALES	
ENG.	
FAB.	
POWER	

DISTRIBUTOR'S NAME:		P.O.#
VESTIL MANUFACTURING		X
DRAWN BY: ND		W.O.#
DATE: 07/11/13		X
REFERENCE: X	SCALE: 1:38	SALES: X
QUOTED LEAD TIME: X	QUOTE #	FILE NAME:
	X	28-007-287