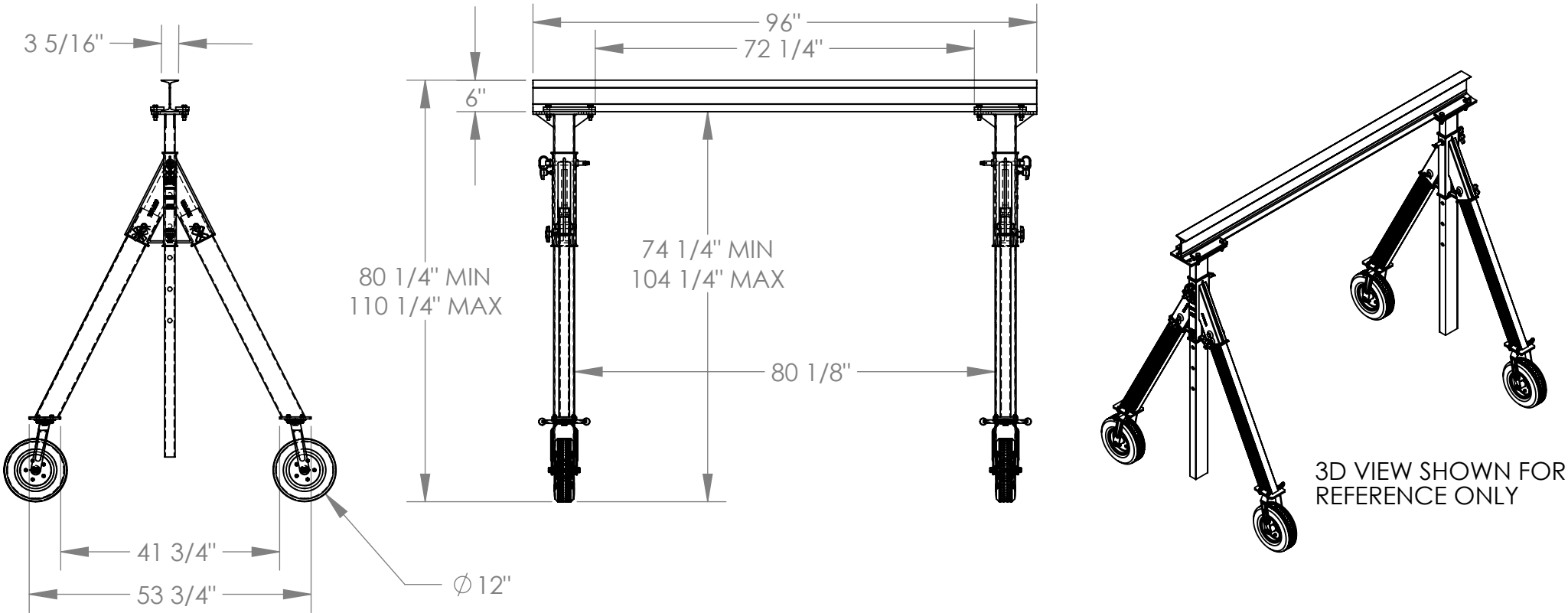


ADJUSTABLE ALUMINUM GANTRY CRANE -AHA-15-8-8-PNU

APPROX WEIGHT: 268 lbs.
DOES NOT INCLUDE WEIGHT OF POWER OR PACKAGING!!!

*** ANY ADDITIONS, DELETIONS, OR OMISSIONS MUST BE CORRECTED ON THIS DRAWING AS THIS DRAWING WILL BE CONSIDERED ALL INCLUSIVE ***
ALL GRAPHICS PROVIDED ARE FOR REFERENCE ONLY. IF CERTAIN DIMENSIONS ARE CRITICAL PLEASE VERIFY THOSE DIMENSIONS WITH YOUR SALESPERSON



STANDARD FEATURES

- MODEL NUMBER IS AHA-15-8-8-PNU
- CAPACITY IS 1,500 LBS.
- BASE WIDTH IS $53 \frac{3}{4}$ "
- MAX OVERALL HEIGHT IS $110 \frac{1}{4}$ "
- I-BEAM HEIGHT IS 6"
- I-BEAM FLANGE WIDTH IS $3 \frac{5}{16}$ "
- OVERALL I-BEAM LENGTH IS 96"
- USABLE I-BEAM LENGTH IS $72 \frac{1}{4}$ "
- ADJUSTABLE UNDER I-BEAM HEIGHT
 - $74 \frac{1}{4}$ " MIN
 - $104 \frac{1}{4}$ " MAX
- HEIGHT IS ADJUSTABLE IN 6" INCREMENTS
- CASTERS: (4) $\phi 12$ " X $3 \frac{1}{2}$ " WIDE
- PNEUMATIC SWIVEL CASTERS WITH FOUR LOCKING POSITIONS

SPECIAL FEATURES

NONE

DIMENSION TOLERANCE $\pm \frac{1}{4}$ "

APPROVAL

I, THE UNDERSIGNED, AGREE THAT THE PRODUCT AS REPRESENTED SATISFIES DESIGN AND DIMENSION REQUIREMENTS. I ALSO ACKNOWLEDGE MY DUTY TO CONFIRM PRODUCT AND INSTALLATION COMPLIANCE WITH ALL APPLICABLE FEDERAL, STATE AND LOCAL REGULATIONS AND STANDARDS.

ANY MODIFIED UNITS ARE NON-RETURNABLE

[] As drawn [] As marked

Signed: _____ Date: _____

Printed Name: _____

LEAD TIME WILL START UPON RECEIPT OF SIGNED APPROVAL DRAWING

FOR INTERNAL USE ONLY PROJECT SIGN OFF	
SALES	
ENG.	
FAB.	
POWER	

DISTRIBUTOR'S NAME:		P.O.#
VESTIL MANUFACTURING		X
DRAWN BY: ND		W.O.#
DATE: 07/11/13		X
REFERENCE: X	SCALE: 1:28	SALES: X
QUOTED LEAD TIME: X	QUOTE #	FILE NAME:
	X	28-007-285