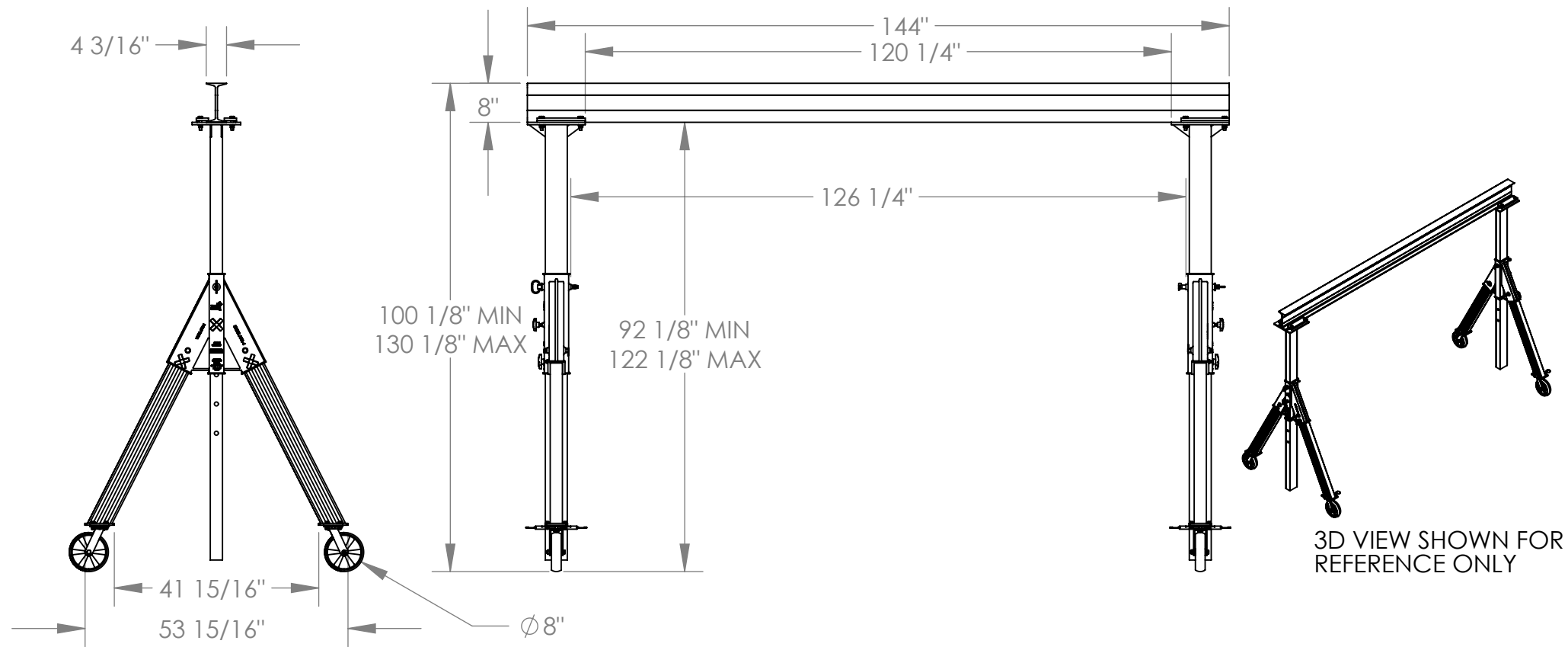


ADJUSTABLE ALUMINUM GANTRY CRANE - AHA-4-12-10

APPROX WEIGHT: 366 lbs.
 DOES NOT INCLUDE WEIGHT OF POWER OR PACKAGING!!!

*** ANY ADDITIONS, DELETIONS, OR OMISSIONS MUST BE CORRECTED ON THIS DRAWING AS THIS DRAWING WILL BE CONSIDERED ALL INCLUSIVE ***
 ALL GRAPHICS PROVIDED ARE FOR REFERENCE ONLY. IF CERTAIN DIMENSIONS ARE CRITICAL PLEASE VERIFY THOSE DIMENSIONS WITH YOUR SALESPERSON



3D VIEW SHOWN FOR REFERENCE ONLY

STANDARD FEATURES

MODEL NUMBER IS AHA-4-12-10
 CAPACITY IS 4,000 LBS.
 BASE WIDTH IS $53 \frac{15}{16}$ "
 MAX OVERALL HEIGHT IS $130 \frac{1}{8}$ "
 I-BEAM HEIGHT IS 8"
 I-BEAM FLANGE WIDTH IS $4 \frac{3}{16}$ "
 OVERALL I-BEAM LENGTH IS 144"
 USABLE I-BEAM LENGTH IS $120 \frac{1}{4}$ "
 ADJUSTABLE UNDER I-BEAM HEIGHT
 $92 \frac{1}{8}$ " MIN
 $122 \frac{1}{8}$ " MAX
 HEIGHT IS ADJUSTABLE IN 6" INCREMENTS
 CASTERS: (4) $\varnothing 8"$ X 2" WIDE GLASS FILLED
 NYLON SWIVEL CASTERS WITH FOUR
 LOCKING POSITIONS

SPECIAL FEATURES

NONE

DIMENSION TOLERANCE $\pm 1/4"$

APPROVAL

I, THE UNDERSIGNED, AGREE THAT THE PRODUCT AS REPRESENTED SATISFIES DESIGN AND DIMENSION REQUIREMENTS. I ALSO ACKNOWLEDGE MY DUTY TO CONFIRM PRODUCT AND INSTALLATION COMPLIANCE WITH ALL APPLICABLE FEDERAL, STATE AND LOCAL REGULATIONS AND STANDARDS.

ANY MODIFIED UNITS ARE NON-RETURNABLE

[] As drawn [] As marked

Signed: _____ Date: _____

Printed Name: _____

LEAD TIME WILL START UPON RECEIPT OF SIGNED APPROVAL DRAWING

FOR INTERNAL USE ONLY PROJECT SIGN OFF	
SALES	
ENG.	
FAB.	
POWER	

DISTRIBUTOR'S NAME:		P.O.#
VESTIL MANUFACTURING		X
DRAWN BY: ND		W.O.#
DATE: 03/25/11		X
REFERENCE: X	SCALE: 1:30	SALES: X
QUOTED LEAD TIME: X	QUOTE #	FILE NAME:
	X	28-007-224