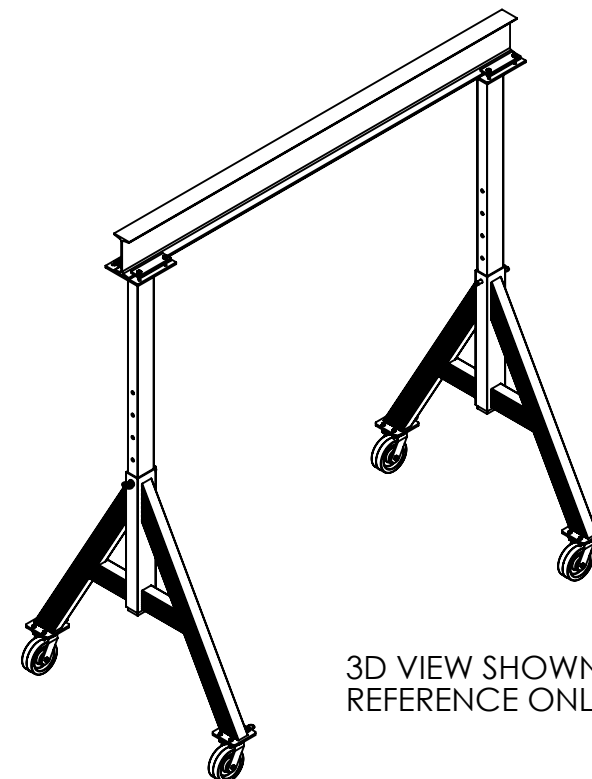
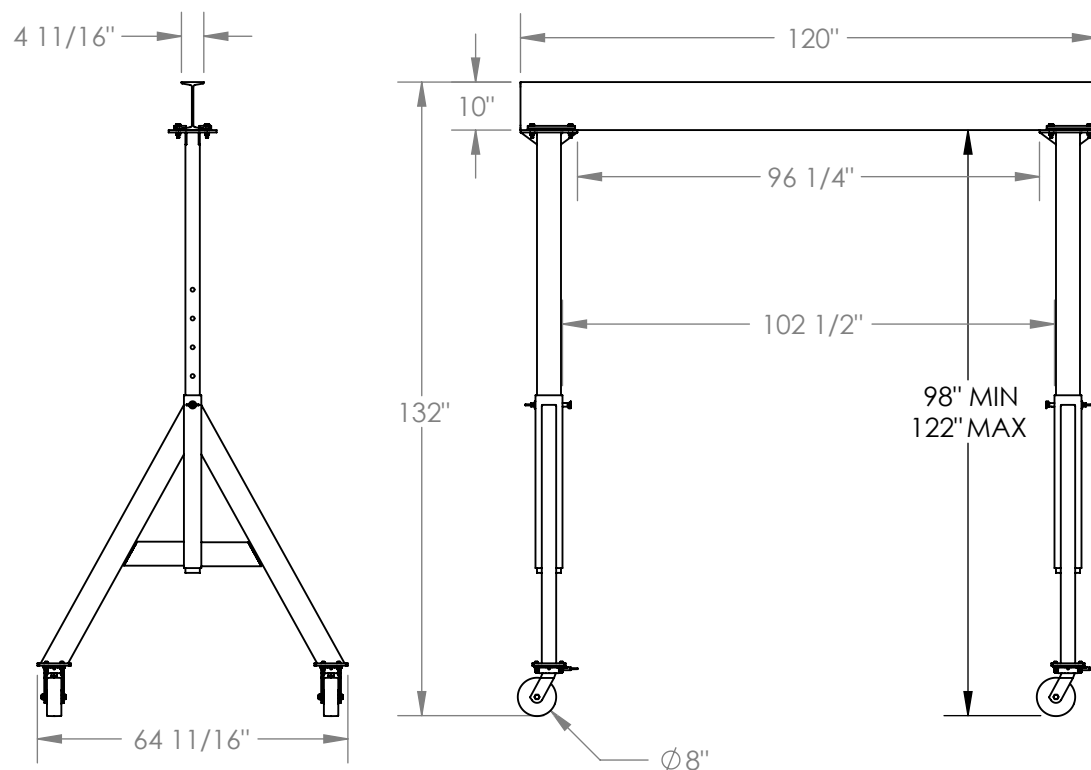


ADJUSTABLE ALUMINUM GANTRY CRANE - AHA-6-10-10

APPROX WEIGHT: 494 lbs.
 DOES NOT INCLUDE WEIGHT OF POWER OR PACKAGING!!!

*** ANY ADDITIONS, DELETIONS, OR OMISSIONS MUST BE CORRECTED ON THIS DRAWING AS THIS DRAWING WILL BE CONSIDERED ALL INCLUSIVE ***

ALL GRAPHICS PROVIDED ARE FOR REFERENCE ONLY. IF CERTAIN DIMENSIONS ARE CRITICAL PLEASE VERIFY THOSE DIMENSIONS WITH YOUR SALESPERSON



STANDARD FEATURES

- MODEL NUMBER IS AHA-6-10-10
- CAPACITY IS 6,000 LBS.
- BASE WIDTH IS $64 \frac{11}{16}$ "
- MAX OVERALL HEIGHT IS 132"
- I-BEAM HEIGHT IS 10"
- I-BEAM FLANGE WIDTH IS $4 \frac{11}{16}$ "
- OVERALL I-BEAM LENGTH IS 120"
- USABLE I-BEAM LENGTH IS $96 \frac{1}{4}$ "
- ADJUSTABLE UNDER I-BEAM HEIGHT
 - 98" MIN
 - 122" MAX
- HEIGHT IS ADJUSTABLE IN 6" INCREMENTS
- CASTERS: (4) $\phi 8$ " X 3" WIDE PHENOLIC SWIVEL CASTERS WITH FOUR LOCKING POSITIONS

SPECIAL FEATURES

NONE

DIMENSION TOLERANCE $\pm 1/4$ "

APPROVAL

I, THE UNDERSIGNED, AGREE THAT THE PRODUCT AS REPRESENTED SATISFIES DESIGN AND DIMENSION REQUIREMENTS. I ALSO ACKNOWLEDGE MY DUTY TO CONFIRM PRODUCT AND INSTALLATION COMPLIANCE WITH ALL APPLICABLE FEDERAL, STATE AND LOCAL REGULATIONS AND STANDARDS.

ANY MODIFIED UNITS ARE NON-RETURNABLE

[] As drawn [] As marked

Signed: _____ Date: _____

Printed Name: _____

LEAD TIME WILL START UPON RECEIPT OF SIGNED APPROVAL DRAWING

FOR INTERNAL USE ONLY
 PROJECT SIGN OFF

SALES	
ENG.	
FAB.	
POWER	

DISTRIBUTOR'S NAME:		P.O.#
VESTIL MANUFACTURING		X
DRAWN BY: ND		DATE: 05/21/09
REFERENCE: X		SCALE: 1:40
QUOTED LEAD TIME: X		QUOTE #
		X
		FILE NAME:
		28-007-256