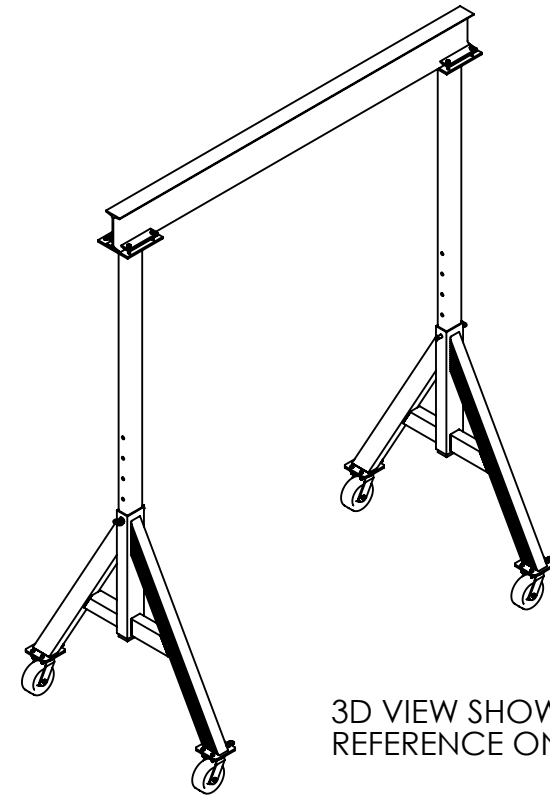
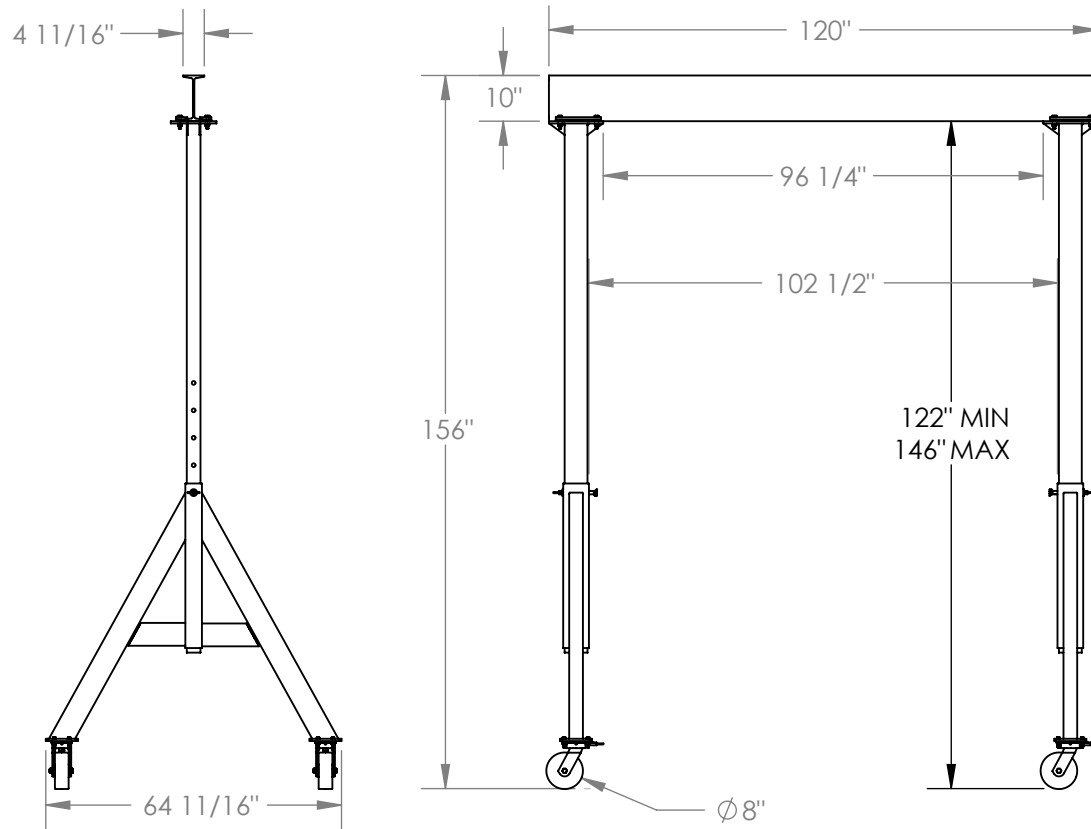


# ADJUSTABLE ALUMINUM GANTRY CRANE - AHA-6-10-12

APPROX WEIGHT: 513 lbs.  
 DOES NOT INCLUDE WEIGHT OF POWER OR PACKAGING!!!

\*\*\* ANY ADDITIONS, DELETIONS, OR OMISSIONS MUST BE CORRECTED ON THIS DRAWING AS THIS DRAWING WILL BE CONSIDERED ALL INCLUSIVE \*\*\*

ALL GRAPHICS PROVIDED ARE FOR REFERENCE ONLY. IF CERTAIN DIMENSIONS ARE CRITICAL PLEASE VERIFY THOSE DIMENSIONS WITH YOUR SALESPERSON



3D VIEW SHOWN FOR REFERENCE ONLY

## STANDARD FEATURES

- MODEL NUMBER IS AHA-6-10-12
- CAPACITY IS 6,000 LBS.
- BASE WIDTH IS 64 11/16"
- MAX OVERALL HEIGHT IS 156"
- I-BEAM HEIGHT IS 10"
- I-BEAM FLANGE WIDTH IS 4 11/16"
- OVERALL I-BEAM LENGTH IS 120"
- USABLE I-BEAM LENGTH IS 96 1/4"
- ADJUSTABLE UNDER I-BEAM HEIGHT
  - 122" MIN
  - 146" MAX
- HEIGHT IS ADJUSTABLE IN 6" INCREMENTS
- CASTERS: (4) Ø8" X 3" WIDE PHENOLIC SWIVEL CASTERS WITH FOUR LOCKING POSITIONS

## SPECIAL FEATURES

NONE

DIMENSION TOLERANCE ± 1/4"

APPROVAL

I, THE UNDERSIGNED, AGREE THAT THE PRODUCT AS REPRESENTED SATISFIES DESIGN AND DIMENSION REQUIREMENTS. I ALSO ACKNOWLEDGE MY DUTY TO CONFIRM PRODUCT AND INSTALLATION COMPLIANCE WITH ALL APPLICABLE FEDERAL, STATE AND LOCAL REGULATIONS AND STANDARDS.

**ANY MODIFIED UNITS ARE NON-RETURNABLE**

[ ] As drawn [ ] As marked

Signed: \_\_\_\_\_ Date: \_\_\_\_\_

Printed Name: \_\_\_\_\_

LEAD TIME WILL START UPON RECEIPT OF SIGNED APPROVAL DRAWING

FOR INTERNAL USE ONLY PROJECT SIGN OFF	
SALES	
ENG.	
FAB.	
POWER	

DISTRIBUTOR'S NAME:		P.O.#
VESTIL MANUFACTURING		X
DRAWN BY: ND		W.O.#
DATE: 05/21/09		X
REFERENCE: X	SCALE: 1:42	SALES: X
QUOTED LEAD TIME: X	QUOTE #	FILE NAME:
	X	28-007-257