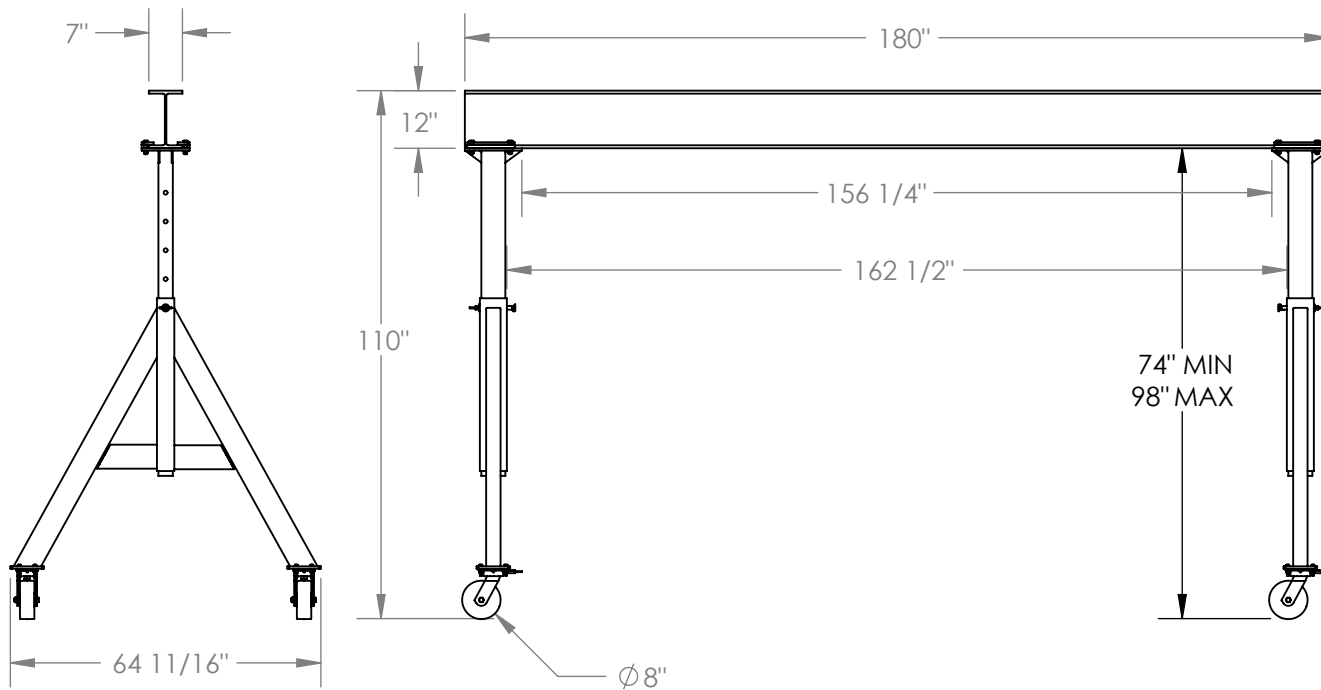


# ADJUSTABLE ALUMINUM GANTRY CRANE - AHA-6-15-8

APPROX WEIGHT: 856 lbs.  
DOES NOT INCLUDE WEIGHT OF POWER OR PACKAGING!!!

\*\*\* ANY ADDITIONS, DELETIONS, OR OMISSIONS MUST BE CORRECTED ON THIS DRAWING AS THIS DRAWING WILL BE CONSIDERED ALL INCLUSIVE \*\*\*

ALL GRAPHICS PROVIDED ARE FOR REFERENCE ONLY. IF CERTAIN DIMENSIONS ARE CRITICAL PLEASE VERIFY THOSE DIMENSIONS WITH YOUR SALESPERSON



## STANDARD FEATURES

MODEL NUMBER IS AHA-6-15-8  
CAPACITY IS 6,000 LBS.  
BASE WIDTH IS  $64 \frac{11}{16}$ "  
MAX OVERALL HEIGHT IS 110"  
I-BEAM HEIGHT IS 12"  
I-BEAM FLANGE WIDTH IS 7"  
OVERALL I-BEAM LENGTH IS 180"  
USABLE I-BEAM LENGTH IS  $156 \frac{1}{4}$ "  
ADJUSTABLE UNDER I-BEAM HEIGHT

74" MIN

98" MAX

HEIGHT IS ADJUSTABLE IN 6" INCREMENTS  
CASTERS: (4)  $\phi 8$ " X 3" WIDE PHENOLIC  
SWIVEL CASTERS WITH FOUR  
LOCKING POSITIONS

## SPECIAL FEATURES

NONE

DIMENSION TOLERANCE  $\pm 1/4$ "

APPROVAL

I, THE UNDERSIGNED, AGREE THAT THE PRODUCT AS REPRESENTED SATISFIES DESIGN AND DIMENSION REQUIREMENTS. I ALSO ACKNOWLEDGE MY DUTY TO CONFIRM PRODUCT AND INSTALLATION COMPLIANCE WITH ALL APPLICABLE FEDERAL, STATE AND LOCAL REGULATIONS AND STANDARDS.

**ANY MODIFIED UNITS ARE NON-RETURNABLE**

As drawn       As marked

Signed: \_\_\_\_\_ Date: \_\_\_\_\_

Printed Name: \_\_\_\_\_

LEAD TIME WILL START UPON RECEIPT OF SIGNED APPROVAL DRAWING

FOR INTERNAL USE ONLY  
PROJECT SIGN OFF

SALES	
ENG.	
FAB.	
POWER	

DISTRIBUTOR'S NAME:		P.O.#
VESTIL MANUFACTURING		X
DRAWN BY: ND		DATE: 05/21/09
REFERENCE: X		SCALE: 1:40
QUOTED LEAD TIME: X		QUOTE #
		X
		FILE NAME:
		28-007-261