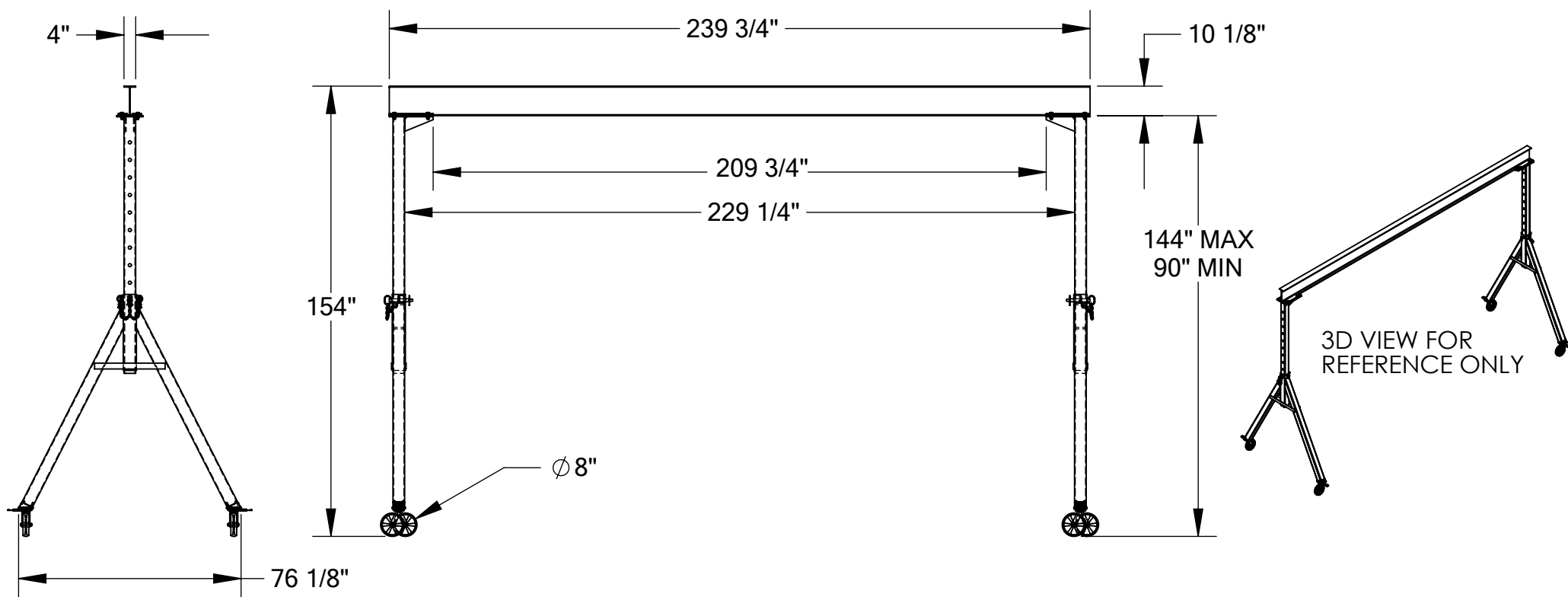


# ADJUSTABLE STEEL GANTRY CRANE - AHS-2-20-12

APPROX WEIGHT: 975.83 lbs.  
 DOES NOT INCLUDE WEIGHT OF POWER OR PACKAGING!!!

\*\*\* ANY ADDITIONS, DELETIONS, OR OMISSIONS MUST BE CORRECTED ON THIS DRAWING AS THIS DRAWING WILL BE CONSIDERED ALL INCLUSIVE \*\*\*

ALL GRAPHICS PROVIDED ARE FOR REFERENCE ONLY. IF CERTAIN DIMENSIONS ARE CRITICAL PLEASE VERIFY THOSE DIMENSIONS WITH YOUR SALESPERSON



## STANDARD FEATURES

MODEL NUMBER IS AHS-2-20-12  
 CAPACITY IS 2,000 LBS.  
 BASE WIDTH IS 76 1/8"  
 MAX OVERALL HEIGHT IS 154"  
 I-BEAM HEIGHT IS 10 1/8"  
 I-BEAM FLANGE WIDTH IS 4"  
 OVERALL I-BEAM LENGTH IS 239 3/4"  
 USABLE I-BEAM LENGTH IS 209 3/4"  
 ADJUSTABLE UNDER I-BEAM HEIGHT

## SPECIAL FEATURES

NONE

144" MAX  
 90" MIN  
 HEIGHT IS ADJUSTABLE IN 6" INCREMENTS  
 CASTERS: (4) Ø8" X 2" WIDE GLASS FILLED  
 NYLON SWIVEL CASTERS WITH FOUR  
 LOCKING POSITIONS

### DIMENSION TOLERANCE ± 1/4"

<b>APPROVAL</b>	I, THE UNDERSIGNED, AGREE THAT THE PRODUCT AS REPRESENTED SATISFIES DESIGN AND DIMENSION REQUIREMENTS. I ALSO ACKNOWLEDGE MY DUTY TO CONFIRM PRODUCT AND INSTALLATION COMPLIANCE WITH ALL APPLICABLE FEDERAL, STATE AND LOCAL REGULATIONS AND STANDARDS.	
	<b>ANY MODIFIED UNITS ARE NON-RETURNABLE</b>	
	[ ] As drawn [ ] As marked	
	Signed: _____	Date: _____
Printed Name: _____		
LEAD TIME WILL START UPON RECEIPT OF SIGNED APPROVAL DRAWING		

FOR INTERNAL USE ONLY PROJECT SIGN OFF	
SALES	
ENG.	
FAB.	
POWER	

DISTRIBUTOR'S NAME:		P.O.#
VESTIL MANUFACTURING		X
DRAWN BY: ND		W.O.#
DATE: 10/01/09		X
REFERENCE: X	SCALE: 1:50	SALES: X
QUOTED LEAD TIME: X	QUOTE #	FILE NAME:
	X	28-007-071