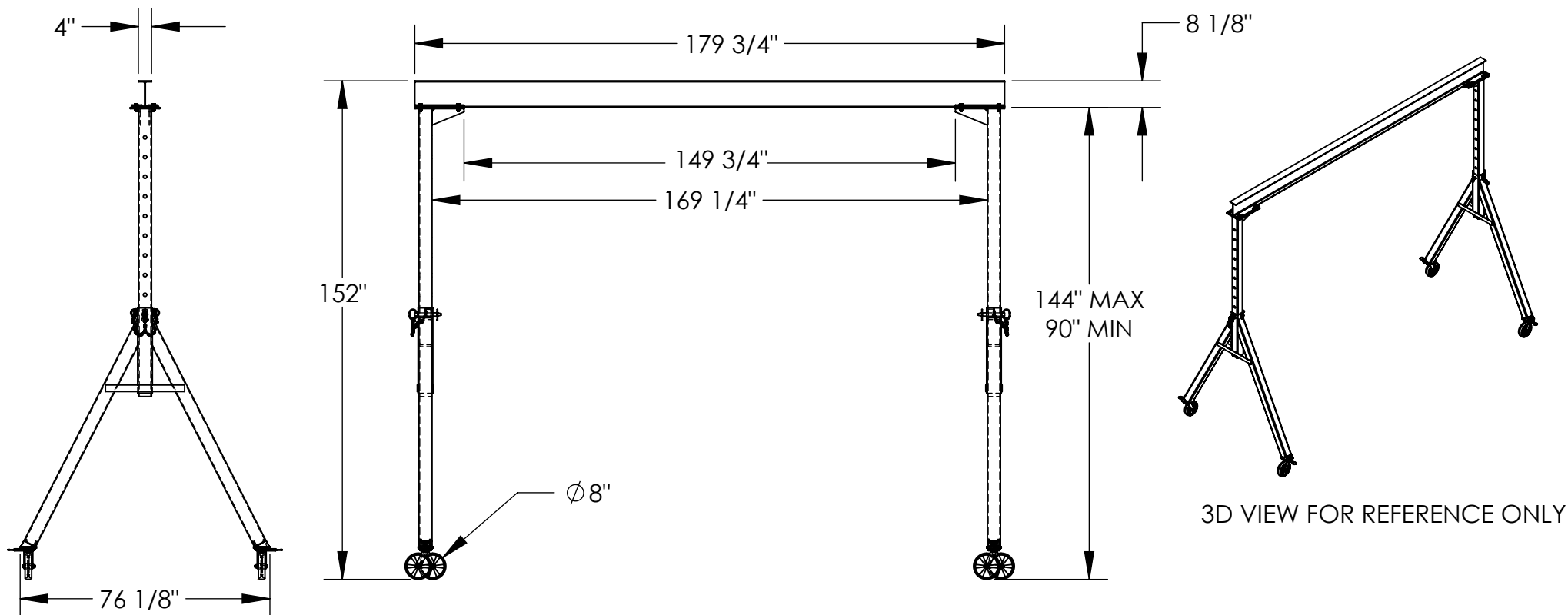


ADJUSTABLE STEEL GANTRY CRANE - AHS-4-15-12

APPROX WEIGHT: 862.72 lbs.
 DOES NOT INCLUDE WEIGHT OF POWER OR PACKAGING!!!

*** ANY ADDITIONS, DELETIONS, OR OMISSIONS MUST BE CORRECTED ON THIS DRAWING AS THIS DRAWING WILL BE CONSIDERED ALL INCLUSIVE ***

ALL GRAPHICS PROVIDED ARE FOR REFERENCE ONLY. IF CERTAIN DIMENSIONS ARE CRITICAL PLEASE VERIFY THOSE DIMENSIONS WITH YOUR SALESPERSON



STANDARD FEATURES

MODEL NUMBER IS AHS-4-15-12
 CAPACITY IS 4,000 LBS.
 BASE WIDTH IS 76 1/8"
 MAX OVERALL HEIGHT IS 152"
 I-BEAM HEIGHT IS 8 1/8"
 I-BEAM FLANGE WIDTH IS 4"
 OVERALL I-BEAM LENGTH IS 179 3/4"
 USABLE I-BEAM LENGTH IS 149 3/4"
 ADJUSTABLE UNDER I-BEAM HEIGHT

144" MAX

90" MIN

HEIGHT IS ADJUSTABLE IN 6" INCREMENTS
 CASTERS: (4) $\phi 8"$ X 2" WIDE GLASS FILLED
 NYLON SWIVEL CASTERS WITH FOUR
 LOCKING POSITIONS

SPECIAL FEATURES

NONE

DIMENSION TOLERANCE $\pm 1/4"$

I, THE UNDERSIGNED, AGREE THAT THE PRODUCT AS REPRESENTED SATISFIES DESIGN AND DIMENSION REQUIREMENTS. I ALSO ACKNOWLEDGE MY DUTY TO CONFIRM PRODUCT AND INSTALLATION COMPLIANCE WITH ALL APPLICABLE FEDERAL, STATE AND LOCAL REGULATIONS AND STANDARDS.

ANY MODIFIED UNITS ARE NON-RETURNABLE

[] As drawn [] As marked

Signed: _____ Date: _____

Printed Name: _____

LEAD TIME WILL START UPON RECEIPT OF SIGNED APPROVAL DRAWING

APPROVAL

FOR INTERNAL USE ONLY
 PROJECT SIGN OFF

SALES	
ENG.	
FAB.	
POWER	

DISTRIBUTOR'S NAME:		P.O.#
VESTIL MANUFACTURING		X
DRAWN BY: MTS		DATE: 10/01/09
REFERENCE: X		SCALE: 1:45
QUOTED LEAD TIME: X		QUOTE #
		X
		FILE NAME:
		28-007-076