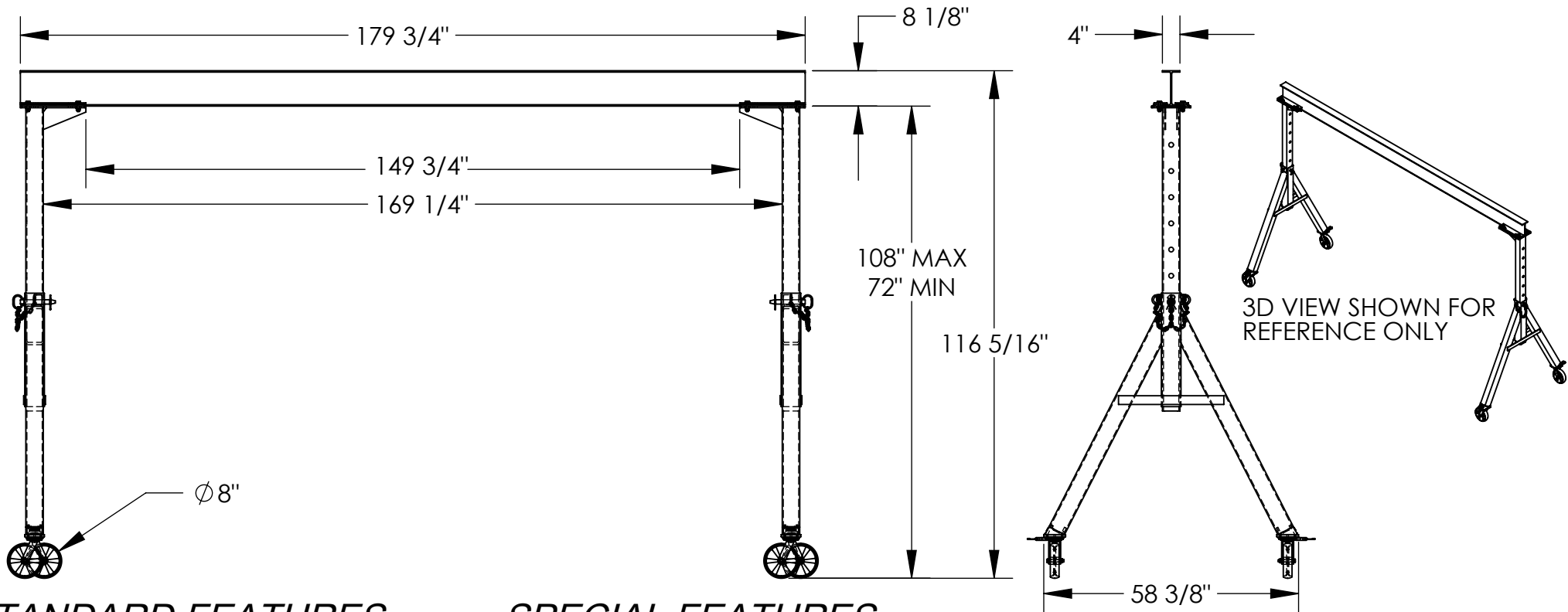


# ADJUSTABLE STEEL GANTRY CRANE - AHS-4-15-9

APPROX WEIGHT: 746.79 lbs.  
 DOES NOT INCLUDE WEIGHT OF POWER OR PACKAGING!!!

\*\*\* ANY ADDITIONS, DELETIONS, OR OMISSIONS MUST BE CORRECTED ON THIS DRAWING AS THIS DRAWING WILL BE CONSIDERED ALL INCLUSIVE \*\*\*

ALL GRAPHICS PROVIDED ARE FOR REFERENCE ONLY. IF CERTAIN DIMENSIONS ARE CRITICAL PLEASE VERIFY THOSE DIMENSIONS WITH YOUR SALESPERSON



## STANDARD FEATURES

## SPECIAL FEATURES

MODEL NUMBER IS AHS-4-15-9  
 CAPACITY IS 4,000 LBS.  
 BASE WIDTH IS 58 3/8"  
 MAX OVERALL HEIGHT IS 116 5/16"  
 I-BEAM HEIGHT IS 8 1/8"  
 I-BEAM FLANGE WIDTH IS 4"  
 OVERALL I-BEAM LENGTH IS 179 3/4"  
 USABLE I-BEAM LENGTH IS 149 3/4"  
 ADJUSTABLE UNDER I-BEAM HEIGHT  
 108" MAX  
 72" MIN  
 HEIGHT IS ADJUSTABLE IN 6" INCREMENTS  
 CASTERS: (4) Ø8" X 2" WIDE GLASS FILLED  
 NYLON SWIVEL CASTERS WITH FOUR  
 LOCKING POSITIONS

NONE

DIMENSION TOLERANCE ± 1/4"

**A P P R O V A L**

I, THE UNDERSIGNED, AGREE THAT THE PRODUCT AS REPRESENTED SATISFIES DESIGN AND DIMENSION REQUIREMENTS. I ALSO ACKNOWLEDGE MY DUTY TO CONFIRM PRODUCT AND INSTALLATION COMPLIANCE WITH ALL APPLICABLE FEDERAL, STATE AND LOCAL REGULATIONS AND STANDARDS.

**ANY MODIFIED UNITS ARE NON-RETURNABLE**

[ ] As drawn [ ] As marked

Signed: \_\_\_\_\_ Date: \_\_\_\_\_

Printed Name: \_\_\_\_\_

LEAD TIME WILL START UPON RECEIPT OF SIGNED APPROVAL DRAWING

FOR INTERNAL USE ONLY PROJECT SIGN OFF	
SALES	
ENG.	
FAB.	
POWER	

DISTRIBUTOR'S NAME:		P.O.#
VESTIL MANUFACTURING		X
DRAWN BY: ND	DATE: 10/12/2009	W.O.#
REFERENCE: X	SCALE: 1:34	X
QUOTED LEAD TIME: X	QUOTE #	FILE NAME:
	X	28-007-206