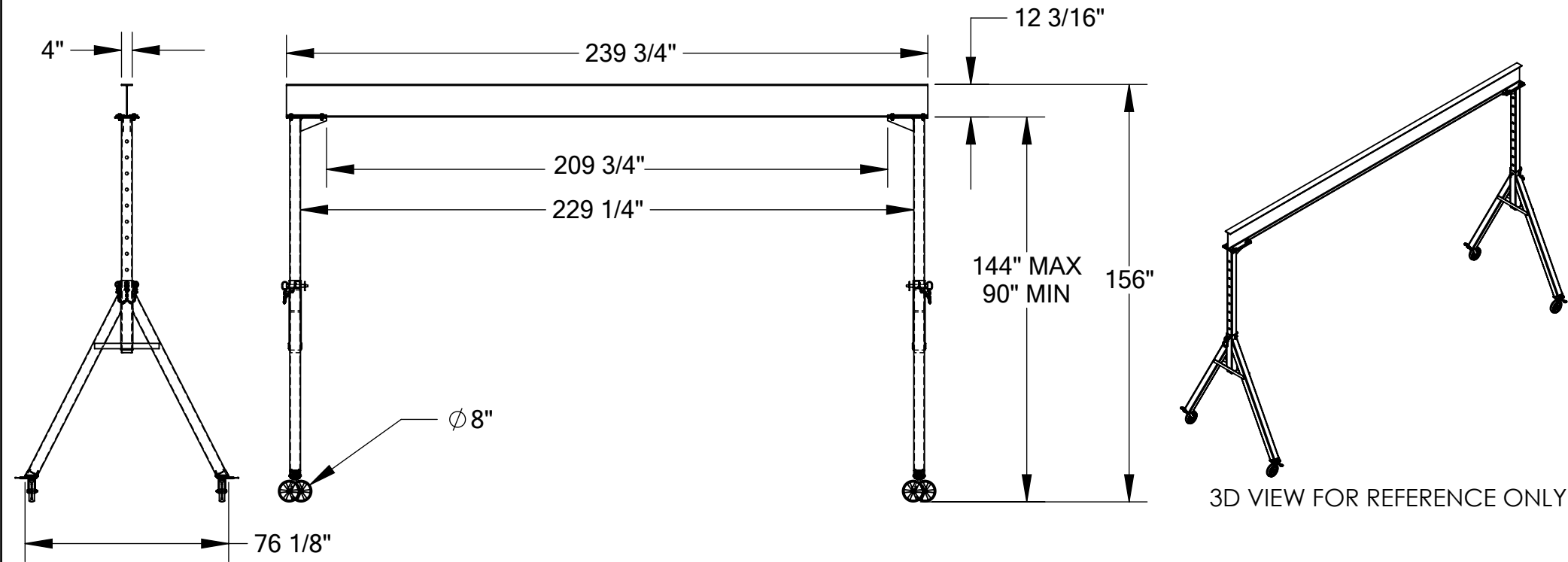


# ADJUSTABLE STEEL GANTRY CRANE - AHS-4-20-12

APPROX WEIGHT: 1015.40 lbs.  
DOES NOT INCLUDE WEIGHT OF POWER OR PACKAGING!!!

\*\*\* ANY ADDITIONS, DELETIONS, OR OMISSIONS MUST BE CORRECTED ON THIS DRAWING AS THIS DRAWING WILL BE CONSIDERED ALL INCLUSIVE \*\*\*

ALL GRAPHICS PROVIDED ARE FOR REFERENCE ONLY. IF CERTAIN DIMENSIONS ARE CRITICAL PLEASE VERIFY THOSE DIMENSIONS WITH YOUR SALESPERSON



## STANDARD FEATURES

MODEL NUMBER IS AHS-4-20-12  
CAPACITY IS 4,000 LBS.  
BASE WIDTH IS 76 1/8"  
MAX OVERALL HEIGHT IS 156"  
I-BEAM HEIGHT IS 12 3/16"  
I-BEAM FLANGE WIDTH IS 4"  
OVERALL I-BEAM LENGTH IS 239 3/4"  
USABLE I-BEAM LENGTH IS 209 3/4"  
ADJUSTABLE UNDER I-BEAM HEIGHT  
144" MAX  
90" MIN  
HEIGHT IS ADJUSTABLE IN 6" INCREMENTS  
CASTERS: (4) Ø8" X 2" WIDE GLASS FILLED  
NYLON SWIVEL CASTERS WITH FOUR  
LOCKING POSITIONS

## SPECIAL FEATURES

NONE

### DIMENSION TOLERANCE ± 1/4"

APPROVAL

I, THE UNDERSIGNED, AGREE THAT THE PRODUCT AS REPRESENTED SATISFIES DESIGN AND DIMENSION REQUIREMENTS. I ALSO ACKNOWLEDGE MY DUTY TO CONFIRM PRODUCT AND INSTALLATION COMPLIANCE WITH ALL APPLICABLE FEDERAL, STATE AND LOCAL REGULATIONS AND STANDARDS.

**ANY MODIFIED UNITS ARE NON-RETURNABLE**

As drawn       As marked

Signed: \_\_\_\_\_ Date: \_\_\_\_\_

Printed Name: \_\_\_\_\_

LEAD TIME WILL START UPON RECEIPT OF SIGNED APPROVAL DRAWING

FOR INTERNAL USE ONLY PROJECT SIGN OFF	
SALES	
ENG.	
FAB.	
POWER	

DISTRIBUTOR'S NAME:		P.O.#
VESTIL MANUFACTURING		X
DRAWN BY: ND	DATE: 10/01/09	W.O.#
REFERENCE: X	SCALE: 1:54	X
QUOTED LEAD TIME: X	QUOTE #	FILE NAME:
	X	28-007-078