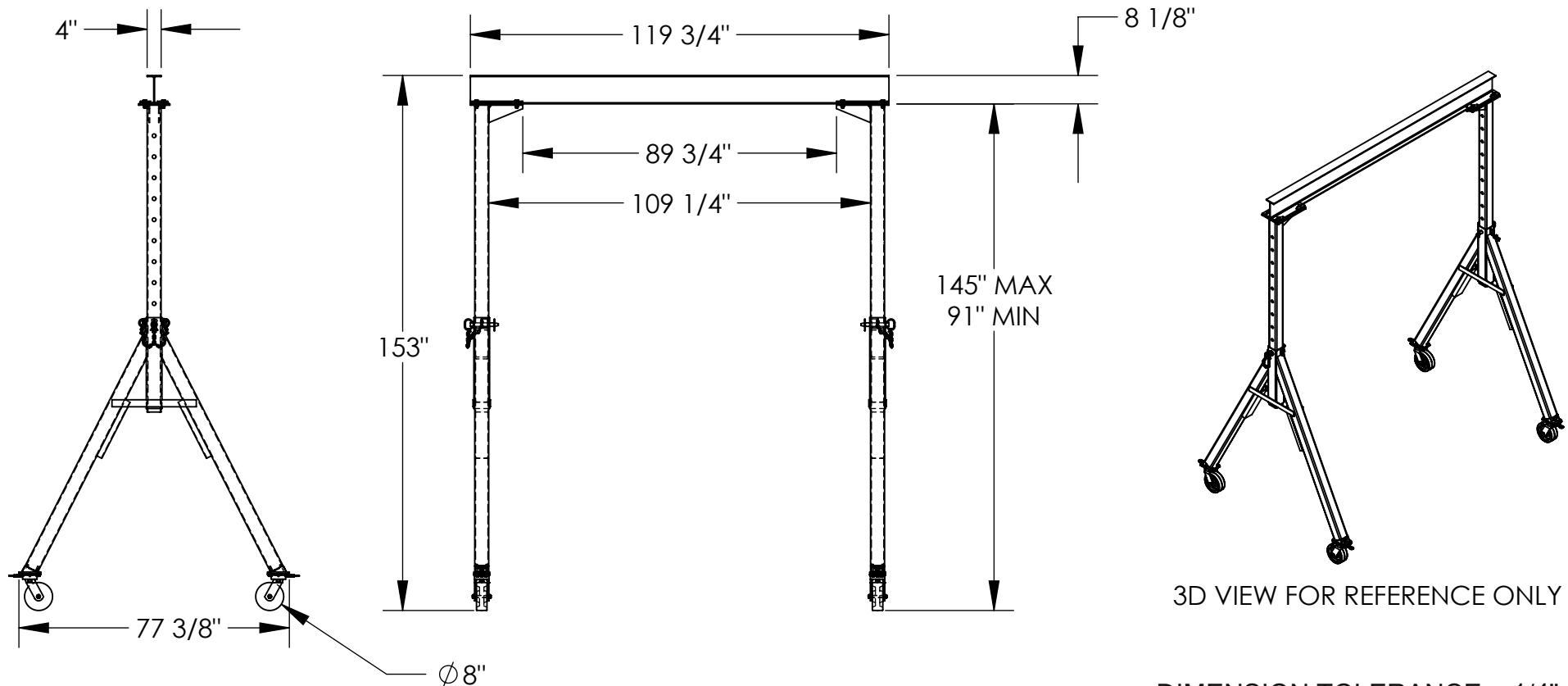


# ADJUSTABLE STEEL GANTRY CRANE - AHS-6-10-12

APPROX WEIGHT: 858.33 lbs.  
 DOES NOT INCLUDE WEIGHT OF POWER OR PACKAGING!!!

\*\*\* ANY ADDITIONS, DELETIONS, OR OMISSIONS MUST BE CORRECTED ON THIS DRAWING AS THIS DRAWING WILL BE CONSIDERED ALL INCLUSIVE \*\*\*

ALL GRAPHICS PROVIDED ARE FOR REFERENCE ONLY. IF CERTAIN DIMENSIONS ARE CRITICAL PLEASE VERIFY THOSE DIMENSIONS WITH YOUR SALESPERSON



## STANDARD FEATURES

- MODEL NUMBER IS AHS-6-10-12
- CAPACITY IS 6,000 LBS.
- BASE WIDTH IS 77 3/8"
- MAX OVERALL HEIGHT IS 153"
- I-BEAM HEIGHT IS 8 1/8"
- I-BEAM FLANGE WIDTH IS 4"
- OVERALL I-BEAM LENGTH IS 119 3/4"
- USABLE I-BEAM LENGTH IS 89 3/4"
- ADJUSTABLE UNDER I-BEAM HEIGHT
  - 145" MAX
  - 91" MIN
- HEIGHT IS ADJUSTABLE IN 6" INCREMENTS
- CASTERS: (4)  $\phi 8"$  X 3" WIDE PHENOLIC SWIVEL CASTERS WITH FOUR LOCKING POSITIONS

## SPECIAL FEATURES

NONE

### DIMENSION TOLERANCE $\pm 1/4"$

I, THE UNDERSIGNED, AGREE THAT THE PRODUCT AS REPRESENTED SATISFIES DESIGN AND DIMENSION REQUIREMENTS. I ALSO ACKNOWLEDGE MY DUTY TO CONFIRM PRODUCT AND INSTALLATION COMPLIANCE WITH ALL APPLICABLE FEDERAL, STATE AND LOCAL REGULATIONS AND STANDARDS.

**ANY MODIFIED UNITS ARE NON-RETURNABLE**

[ ] As drawn [ ] As marked

Signed: \_\_\_\_\_ Date: \_\_\_\_\_

Printed Name: \_\_\_\_\_

LEAD TIME WILL START UPON RECEIPT OF SIGNED APPROVAL DRAWING

APPROVAL

| FOR INTERNAL USE ONLY<br>PROJECT SIGN OFF |  |
|---|--|
| SALES                                     |  |
| ENG.                                      |  |
| FAB.                                      |  |
| POWER                                     |  |

|                      |             |            |
|----------------------|-------------|------------|
| DISTRIBUTOR'S NAME:  |             | P.O.#      |
| VESTIL MANUFACTURING |             | X          |
| DRAWN BY: ND         |             | W.O.#      |
| DATE: 10/01/09       |             | X          |
| REFERENCE: X         | SCALE: 1:45 | SALES: X   |
| QUOTED LEAD TIME: X  | QUOTE #     | FILE NAME: |
|                      | X           | 28-007-080 |