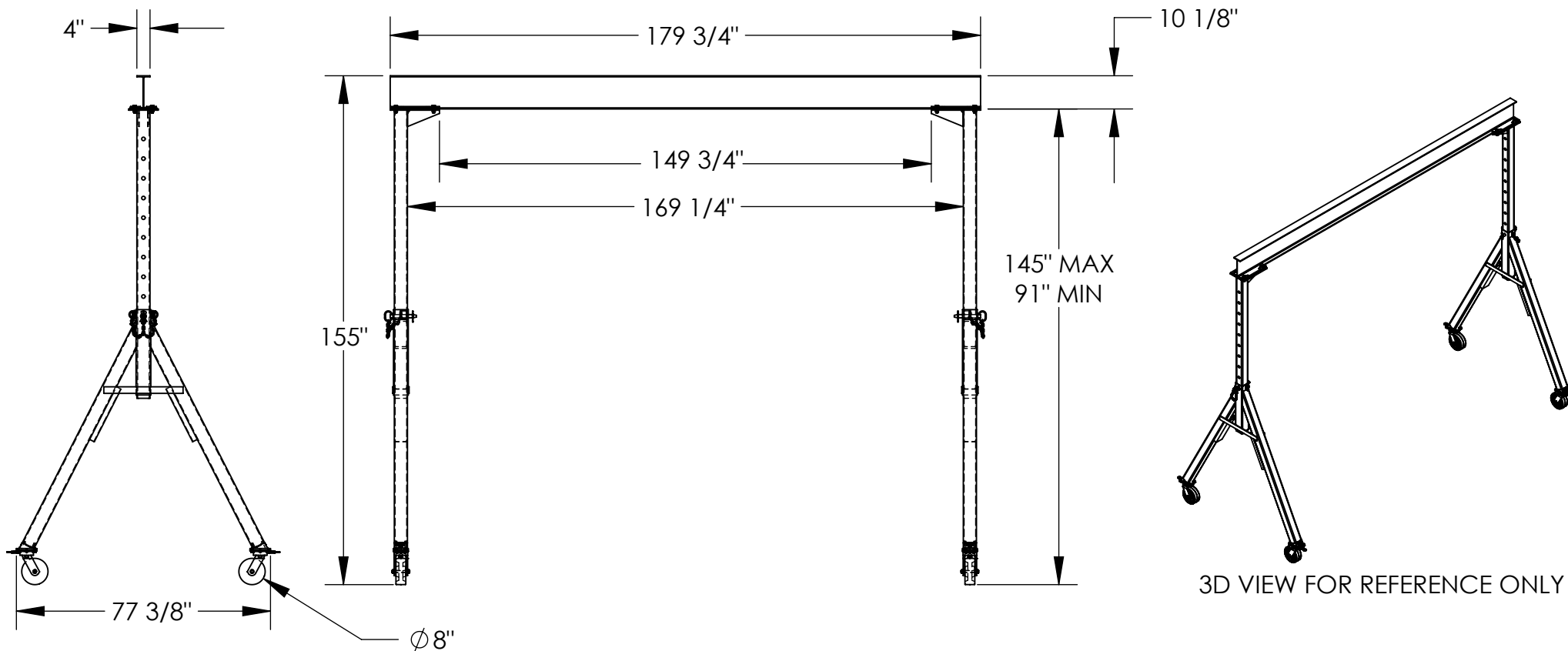


ADJUSTABLE STEEL GANTRY CRANE - AHS-6-15-12

APPROX WEIGHT: 962.04 lbs.
 DOES NOT INCLUDE WEIGHT OF POWER OR PACKAGING!!!

*** ANY ADDITIONS, DELETIONS, OR OMISSIONS MUST BE CORRECTED ON THIS DRAWING AS THIS DRAWING WILL BE CONSIDERED ALL INCLUSIVE ***

ALL GRAPHICS PROVIDED ARE FOR REFERENCE ONLY. IF CERTAIN DIMENSIONS ARE CRITICAL PLEASE VERIFY THOSE DIMENSIONS WITH YOUR SALESPERSON



STANDARD FEATURES

MODEL NUMBER IS AHS-6-15-12
 CAPACITY IS 6,000 LBS.
 BASE WIDTH IS 77 3/8"
 MAX OVERALL HEIGHT IS 155"
 I-BEAM HEIGHT IS 10 1/8"
 I-BEAM FLANGE WIDTH IS 4"
 OVERALL I-BEAM LENGTH IS 179 3/4"
 USABLE I-BEAM LENGTH IS 149 3/4"
 ADJUSTABLE UNDER I-BEAM HEIGHT

145" MAX

91" MIN

HEIGHT IS ADJUSTABLE IN 6" INCREMENTS

CASTERS: (4) Ø8" X 3" WIDE PHENOLIC SWIVEL CASTERS WITH FOUR LOCKING POSITIONS

SPECIAL FEATURES

NONE

DIMENSION TOLERANCE ± 1/4"

I, THE UNDERSIGNED, AGREE THAT THE PRODUCT AS REPRESENTED SATISFIES DESIGN AND DIMENSION REQUIREMENTS. I ALSO ACKNOWLEDGE MY DUTY TO CONFIRM PRODUCT AND INSTALLATION COMPLIANCE WITH ALL APPLICABLE FEDERAL, STATE AND LOCAL REGULATIONS AND STANDARDS.

ANY MODIFIED UNITS ARE NON-RETURNABLE

[] As drawn [] As marked

Signed: _____ Date: _____

Printed Name: _____

LEAD TIME WILL START UPON RECEIPT OF SIGNED APPROVAL DRAWING

APPROVAL

| | |
|-------------------------------------------|--|
| FOR INTERNAL USE ONLY PROJECT SIGN OFF | |
| SALES | |
| ENG. | |
| FAB. | |
| POWER | |

| | | |
|----------------------|-------------|------------|
| DISTRIBUTOR'S NAME: | | P.O.# |
| VESTIL MANUFACTURING | | X |
| DRAWN BY: ND | | W.O.# |
| DATE: 10/01/09 | | X |
| REFERENCE: X | SCALE: 1:45 | SALES: X |
| QUOTED LEAD TIME: X | QUOTE # | FILE NAME: |
| | X | 28-007-082 |