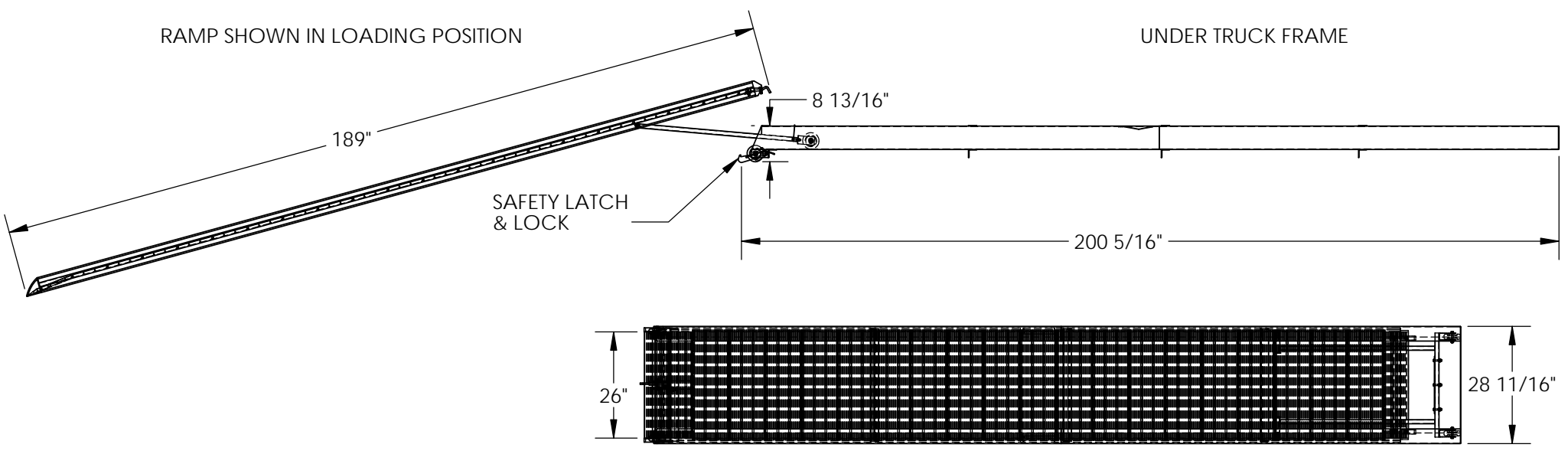


ALUMINUM TRUCK MOUNTED WALK RAMP - AWR-TM-28-16A

APPROX WEIGHT: 316.55 lbs.
 DOES NOT INCLUDE WEIGHT OF POWER OR PACKAGING!!!

*** ANY ADDITIONS, DELETIONS, OR OMISSIONS MUST BE CORRECTED ON THIS DRAWING AS THIS DRAWING WILL BE CONSIDERED ALL INCLUSIVE ***
 ALL GRAPHICS PROVIDED ARE FOR REFERENCE ONLY. IF CERTAIN DIMENSIONS ARE CRITICAL PLEASE VERIFY THOSE DIMENSIONS WITH YOUR SALESPERSON



BOTTOM VIEW SHOWN W/RAMP IN STORED POSITION

STANDARD FEATURES

- MODEL NUMBER IS AWR-TM-28-16A
- OVERALL WIDTH IS 28 11/16"
- USABLE WIDTH IS 26"
- OVERALL LENGTH IS 200 5/16"
- USABLE LENGTH IS 189"
- "B" STYLE HOOK ENDS
- 4 WHEEL CART CAPACITY: 1,000 LBS.
- 2 WHEEL CART CAPACITY: 1,000 LBS.
- HEIGHT SERVICE RANGE: 6"-62"
- SERDATED DECK SURFACE
- STEEL POCKET FRAME FOR UNDER TRUCK STORAGE

SPECIAL FEATURES

NONE

DIMENSION TOLERANCE ± 1/4"

A P P R O V A L	I, THE UNDERSIGNED, AGREE THAT THE PRODUCT AS REPRESENTED SATISFIES DESIGN AND DIMENSION REQUIREMENTS. I ALSO ACKNOWLEDGE MY DUTY TO CONFIRM PRODUCT AND INSTALLATION COMPLIANCE WITH ALL APPLICABLE FEDERAL, STATE AND LOCAL REGULATIONS AND STANDARDS.	
	ALL SPECIAL UNITS ARE NON-RETURNABLE	
	[] As drawn	[] As marked
Signed: _____		Date: _____
LEAD TIME WILL START UPON RECEIPT OF SIGNED APPROVAL DRAWING		

FOR INTERNAL USE ONLY PROJECT SIGN OFF		DISTRIBUTOR'S NAME:		P.O.#
		VESTIL MANUFACTURING		X
SALES		DRAWN BY: RAL	DATE: 10/02/14	W.O.#
ENG.		REFERENCE: X	SCALE: 1:36	X
FAB.		QUOTED LEAD TIME: X	QUOTE #	FILE NAME:
POWER			X	18-007-297