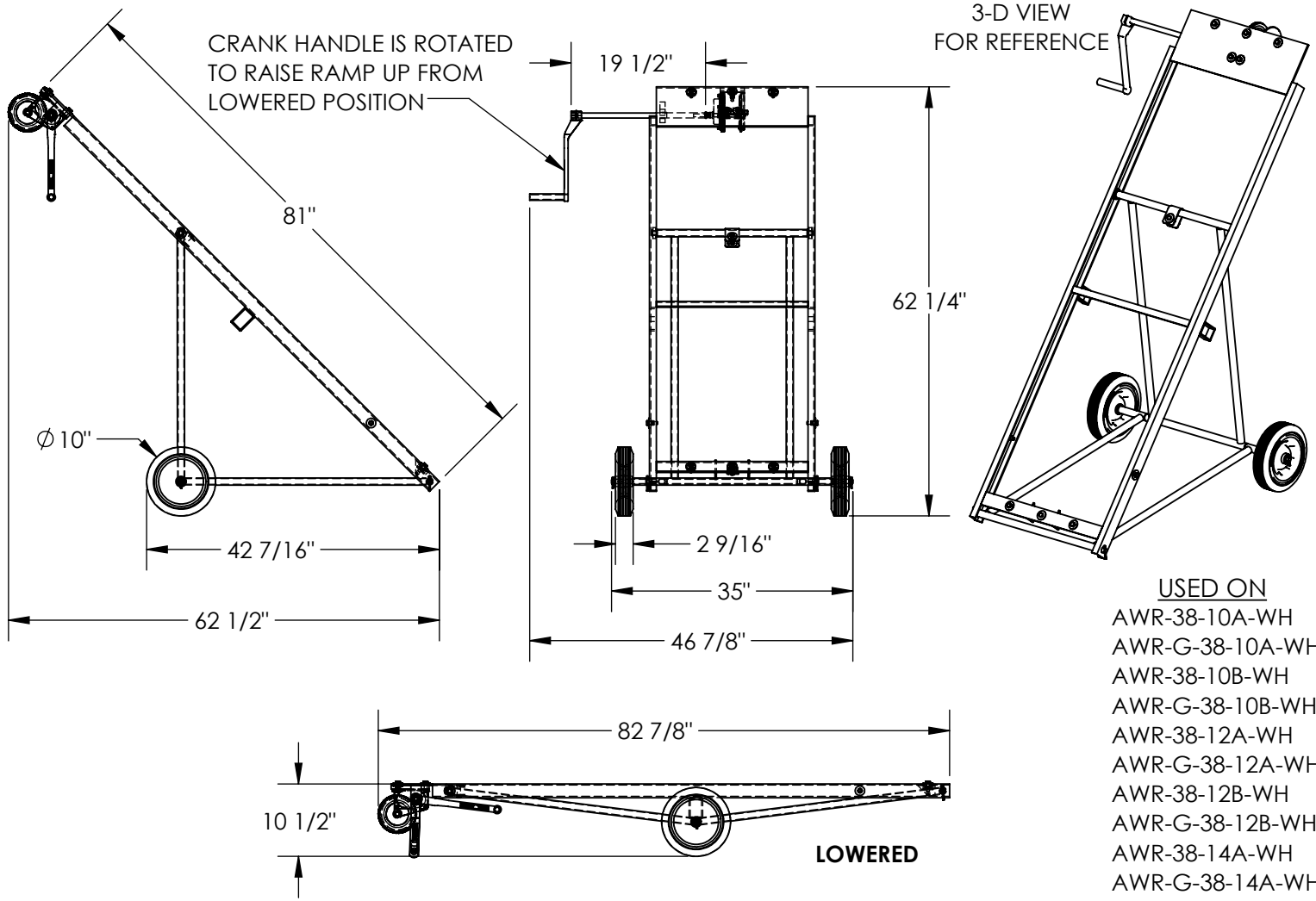


ADJUSTABLE HEIGHT WHEEL OPTION - AWR-WH-38-SERIES

APPROX WEIGHT: 113.93 lbs.

DOES NOT INCLUDE WEIGHT OF POWER OR PACKAGING!!!

ANY ADDITIONS, DELETIONS, OR OMISSIONS MUST BE CORRECTED ON THIS DRAWING AS THIS DRAWING WILL BE CONSIDERED ALL INCLUSIVE



- USED ON**
- AWR-38-10A-WH
 - AWR-G-38-10A-WH
 - AWR-38-10B-WH
 - AWR-G-38-10B-WH
 - AWR-38-12A-WH
 - AWR-G-38-12A-WH
 - AWR-38-12B-WH
 - AWR-G-38-12B-WH
 - AWR-38-14A-WH
 - AWR-G-38-14A-WH
 - AWR-38-14B-WH
 - AWR-G-38-14B-WH
 - AWR-38-16A-WH
 - AWR-G-38-16A-WH
 - AWR-38-16B-WH
 - AWR-G-38-16B-WH

NOTE: FOR USE WITH AWR. RETRACT WHEELS OFF OF THE GROUND WHEN THE AWR IS INSTALLED AND IN USE. AWR-WHL DOES NOT CHANGE THE AWR CAPACITY.

DIMENSION TOLERANCE ± 1/4"

ALL GRAPHICS PROVIDED ARE FOR REFERENCE ONLY. IF CERTAIN DIMENSIONS ARE CRITICAL PLEASE VERIFY THOSE DIMENSIONS WITH YOUR SALESPERSON

STANDARD FEATURES

- MODEL NUMBER IS AWR-WH-38-SERIES
- CAPACITY IS 250 LBS
- OVERALL WIDTH IS: 46 7/8"
- HEIGHT AT 45° IS 62 1/4"
- WHEEL DISTANCE AT 45° IS 42 7/16"
- LOWERED HEIGHT IS 10 1/2"
- LOWERED LENGTH IS 82 7/8"
- 19 1/2" CRANK SHAFT USED FOR 38" WIDE ALUMINUM WALK RAMP
- TWO (2) SEMI-PNEUMATIC 10" x 2 9/16" WHEELS
- WALK RAMP NOT SHOWN

I, THE UNDERSIGNED, AGREE THAT THE PRODUCT AS REPRESENTED SATISFIES DESIGN AND DIMENSION REQUIREMENTS. I ALSO ACKNOWLEDGE MY DUTY TO CONFIRM PRODUCT AND INSTALLATION COMPLIANCE WITH ALL APPLICABLE FEDERAL, STATE AND LOCAL REGULATIONS AND STANDARDS.

ANY MODIFIED UNITS ARE NON-RETURNABLE

[] As drawn [] As marked

Signed: _____ Date: _____

Printed Name: _____

LEAD TIME WILL START UPON RECEIPT OF SIGNED APPROVAL DRAWING

APPROVAL

SPECIAL FEATURES

NONE

FOR INTERNAL USE ONLY PROJECT SIGN OFF		DISTRIBUTOR'S NAME:		P.O.#
		VESTIL MANUFACTURING		X
SALES		DRAWN BY:	B.NOETHNAGEL	W.O.#
ENG.		DATE:	09/22/2014	X
FAB.		REFERENCE:	X	SALES:
POWER		QUOTED LEAD TIME:	X	SCALE: 1:24
		QUOTE #	X	FILE NAME:
				18-007-106