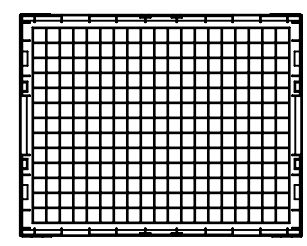
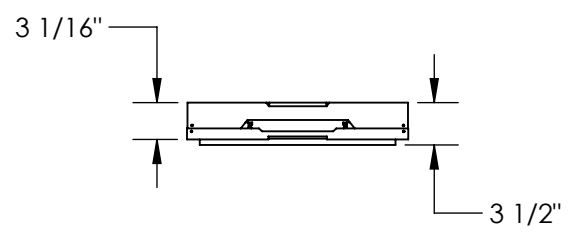
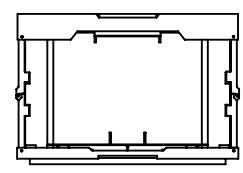
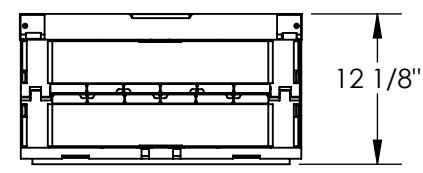
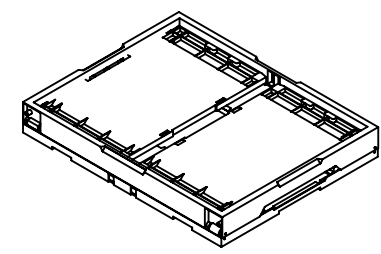
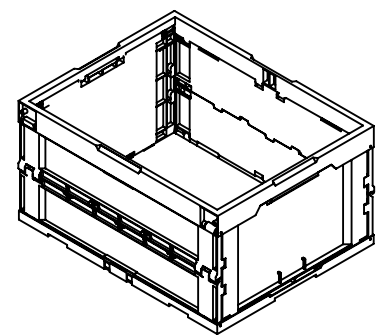
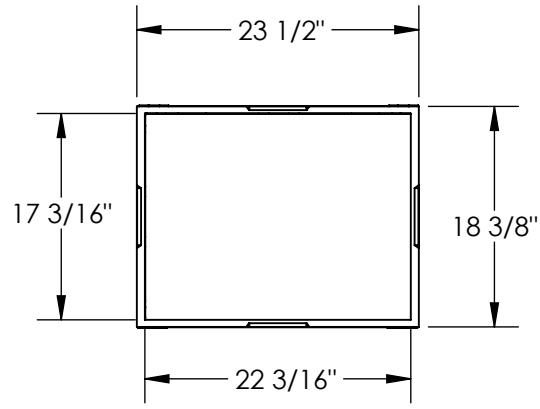


# FOLDING CONTAINER - F-CRATE

APPROX WEIGHT: 12.14 lbs.  
 DOES NOT INCLUDE WEIGHT OF POWER OR PACKAGING!!!

\*\*\* ANY ADDITIONS, DELETIONS, OR OMISSIONS MUST BE CORRECTED ON THIS DRAWING AS THIS DRAWING WILL BE CONSIDERED ALL INCLUSIVE \*\*\*

ALL GRAPHICS PROVIDED ARE FOR REFERENCE ONLY. IF CERTAIN DIMENSIONS ARE CRITICAL PLEASE VERIFY THOSE DIMENSIONS WITH YOUR SALESPERSON



DIMENSION TOLERANCE ± 1/4"

## STANDARD FEATURES

- MODEL NUMBER IS F-CRATE
- OVERALL WIDTH IS 18 3/8"
- USABLE WIDTH IS 17 3/16"
- OVERALL LENGTH IS 23 1/2"
- USABLE LENGTH IS 22 3/16"
- COLLASED HEIGHT IS 3 1/2"
- EXTENDED HEIGHT IS 12 1/8"
- USABLE HEIGHT IS 11 9/16"

## SPECIAL FEATURES

NONE

APPROVAL

I, THE UNDERSIGNED, AGREE THAT THE PRODUCT AS REPRESENTED SATISFIES DESIGN AND DIMENSION REQUIREMENTS. I ALSO ACKNOWLEDGE MY DUTY TO CONFIRM PRODUCT AND INSTALLATION COMPLIANCE WITH ALL APPLICABLE FEDERAL, STATE AND LOCAL REGULATIONS AND STANDARDS.  
**ALL SPECIAL UNITS ARE NON-RETURNABLE**  
 As drawn       As marked

Signed: \_\_\_\_\_ Date: \_\_\_\_\_

LEAD TIME WILL START UPON RECEIPT OF SIGNED APPROVAL DRAWING

|                      |            |            |
|----------------------|------------|------------|
| DISTRIBUTOR'S NAME:  |            | P.O.#      |
| VESTIL MANUFACTURING |            | X          |
| DRAWN BY:            | DATE:      | W.O.#      |
| RPS                  | 09/13/2012 | X          |
| REFERENCE:           | SCALE:     | FILE NAME: |
| X                    | 1:16       |            |
| QUOTED LEAD TIME:    | QUOTE #    | 30-007-270 |
| X                    | X          |            |