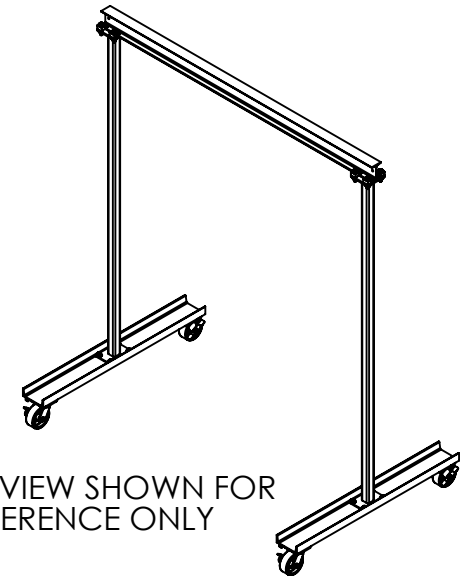
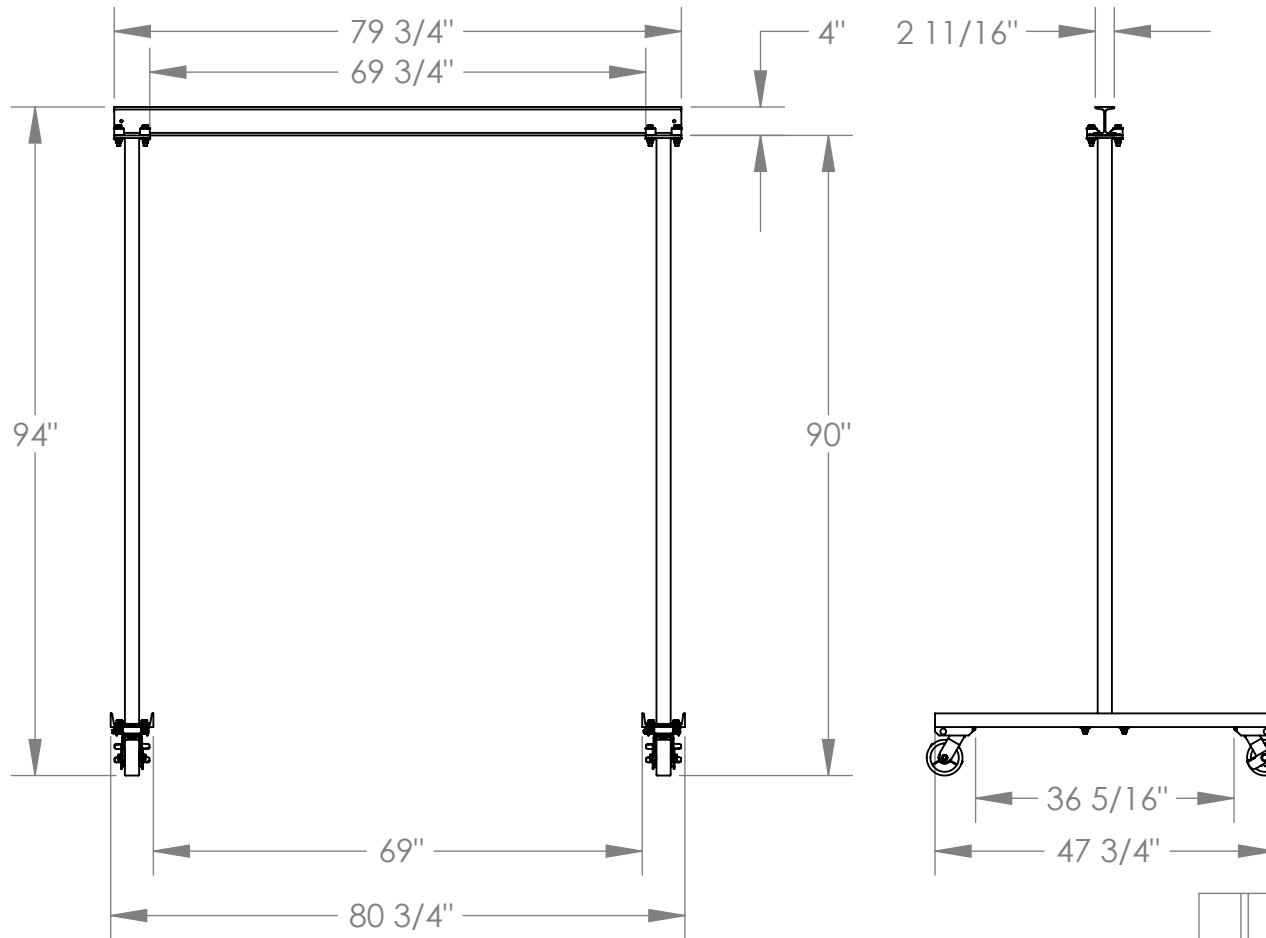


WORK AREA PORTABLE GANTRY CRANE - FPG-6

APPROX WEIGHT: 234.73 lbs.
DOES NOT INCLUDE WEIGHT OF POWER OR PACKAGING!!!

*** ANY ADDITIONS, DELETIONS, OR OMISSIONS MUST BE CORRECTED ON THIS DRAWING AS THIS DRAWING WILL BE CONSIDERED ALL INCLUSIVE ***

ALL GRAPHICS PROVIDED ARE FOR REFERENCE ONLY. IF CERTAIN DIMENSIONS ARE CRITICAL PLEASE VERIFY THOSE DIMENSIONS WITH YOUR SALESPERSON



3D VIEW SHOWN FOR REFERENCE ONLY

FOUR Ø5" x 2" POLY-ON-STEEL SWIVEL CASTERS W/ BRAKE

DIMENSION TOLERANCE ± 1/4"

I, THE UNDERSIGNED, AGREE THAT THE PRODUCT AS REPRESENTED SATISFIES DESIGN AND DIMENSION REQUIREMENTS. I ALSO ACKNOWLEDGE MY DUTY TO CONFIRM PRODUCT AND INSTALLATION COMPLIANCE WITH ALL APPLICABLE FEDERAL, STATE AND LOCAL REGULATIONS AND STANDARDS.

ANY MODIFIED UNITS ARE NON-RETURNABLE

[] As drawn [] As marked

Signed: _____ Date: _____

Printed Name: _____

LEAD TIME WILL START UPON RECEIPT OF SIGNED APPROVAL DRAWING

APPROVAL

FOR INTERNAL USE ONLY
PROJECT SIGN OFF

SALES	
ENG.	
FAB.	
POWER	

DISTRIBUTOR'S NAME:

VESTIL MANUFACTURING

DRAWN BY: ND

DATE: 3/26/2007

REFERENCE: X

SCALE: 1:27

QUOTED LEAD TIME: X

QUOTE # X

P.O.#

X

W.O.#

X

SALES: X

FILE NAME:

28-007-037-001

STANDARD FEATURES

- MODEL NUMBER IS FPG-6
- CAPACITY IS 600 LBS.
- OVERALL I-BEAM LENGTH IS 79 3/4"
- USABLE I-BEAM LENGTH IS 69 3/4"
- OVERALL WIDTH IS 47 3/4"
- USABLE WIDTH IS 36 5/16"
- OVERALL LENGTH IS 80 3/4"
- STRADDLE LENGTH IS 69"
- OVERALL HEIGHT IS 94"
- UNDER I-BEAM HEIGHT IS 90"
- I-BEAM SIZE IS 4" HEIGHT X 2 11/16" FLANGE WIDTH
- TOUGH BAKED IN POWDER COATED BLUE FINISH

SPECIAL FEATURES

NONE