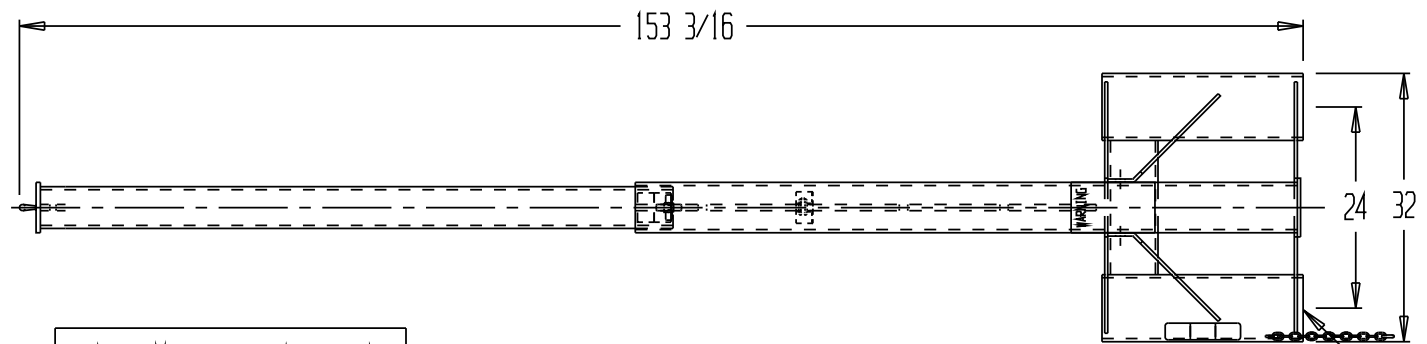
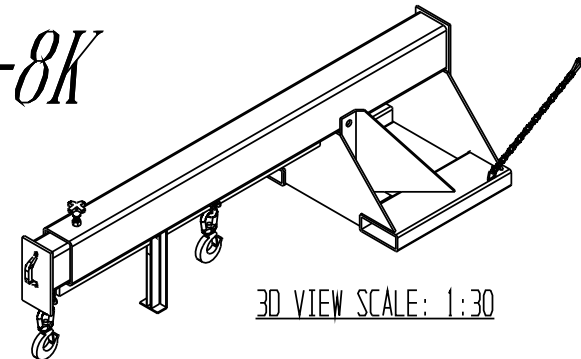


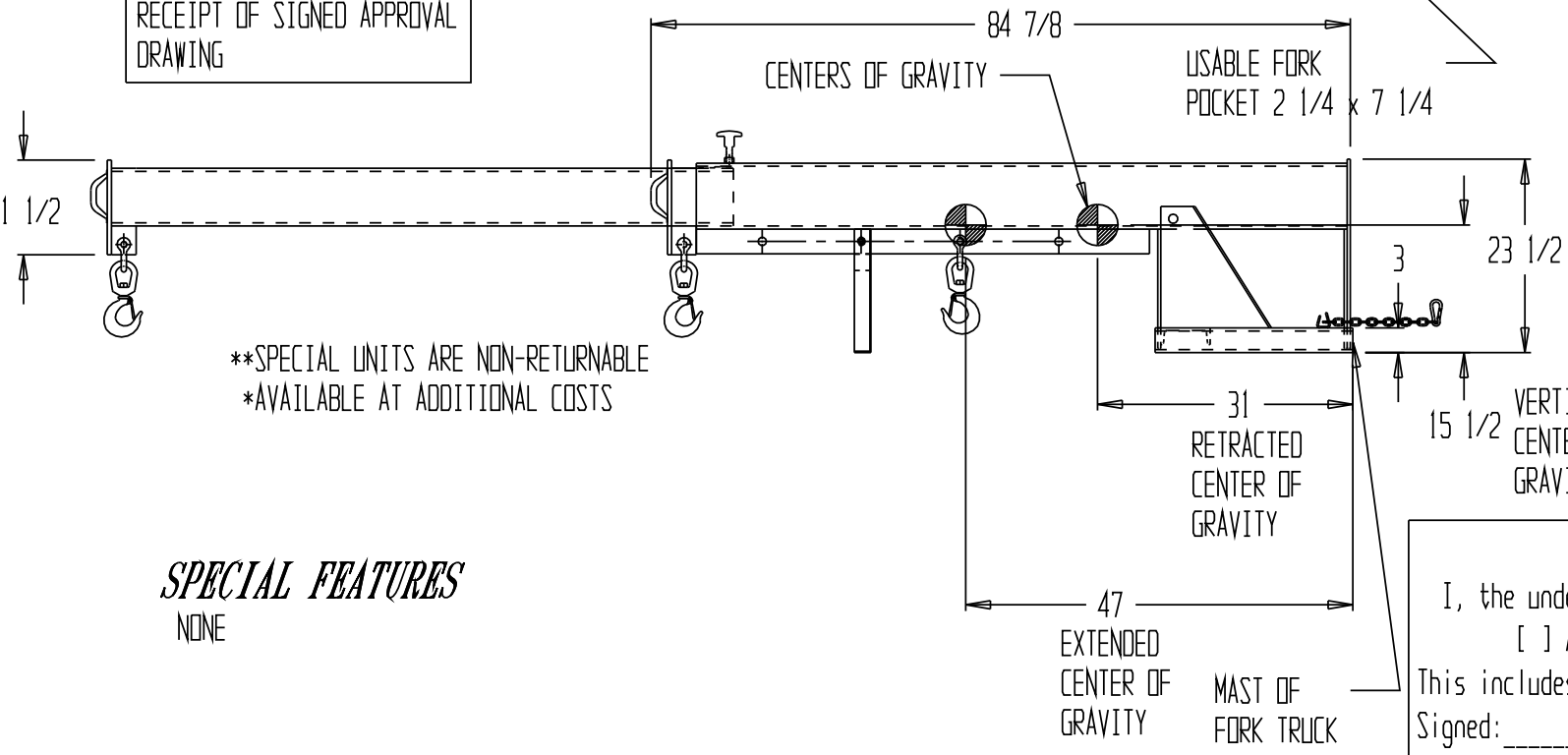
TELESCOPING LIFT MASTER ONE LM-1T-8K



STANDARD FEATURES

- MODEL NUMBER: LM-1T-8K
- CAPACITY: 8,000 LBS
- WEIGHT / LOST LOAD - ___ LBS
- HEIGHT - 23 1/2"
- LENGTH (EXTENDED) - 153 3/16"
- WIDTH - 32"
- USABLE FORK POCKET - 2 1/4" x 7 1/4"
- 24" FORK POCKET CENTERS
- 36" MINIMUM HOOK POINT
- 144" MAXIMUM HOOK POINT
- EFFECTIVE THICKNESS: LESS THAN 1"

LEAD TIME WILL START UPON RECEIPT OF SIGNED APPROVAL DRAWING



**SPECIAL UNITS ARE NON-RETURNABLE
*AVAILABLE AT ADDITIONAL COSTS

SPECIAL FEATURES

NONE

APPROVAL

I, the undersigned, hereby approve this print
 As drawn As marked

This includes my approval of design & dimensions.

Signed: _____
 Date: _____

*--MAXIMUM SINGLE HOOK CAPACITIES

DISTANCE	36"	48"	60"	72"	84"	96"	108"	120"	132"	144"
CAPACITY*	8000	6650	6000	5300	4650	4000	3500	3000	2600	2200

DISTRIBUTOR'S NAME:		P.O.#: -
VESTIL MANUFACTURING		W.O.#: -
DRAWN BY: KY	DATE: 12/14/04	SALES: -
REFERENCE:	DRWG./FILE NAME:	
-	SCALE: 1:24	08-007-130