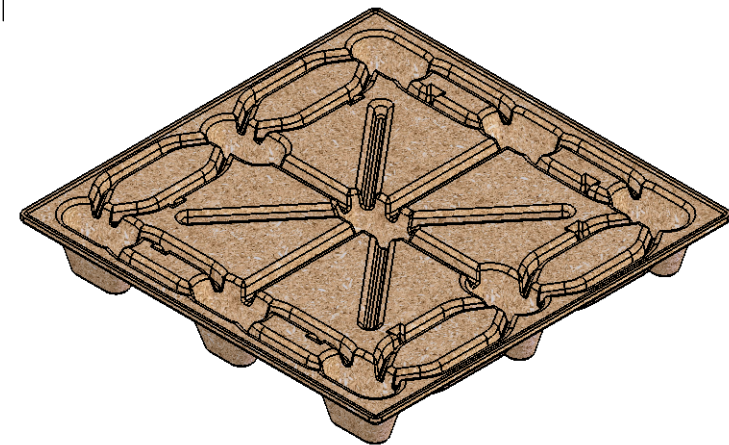
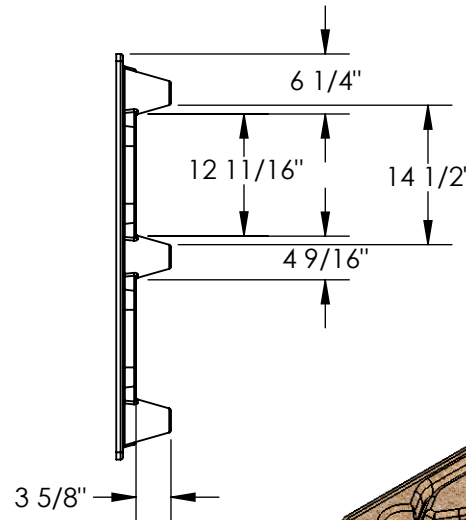
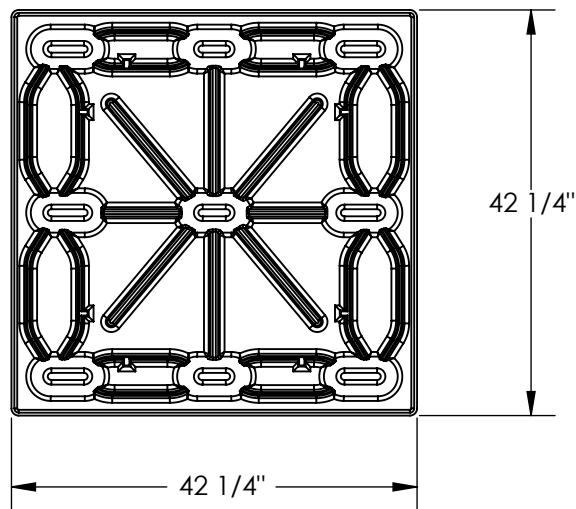


# PRESSWOOD PALLET - PWP-4242

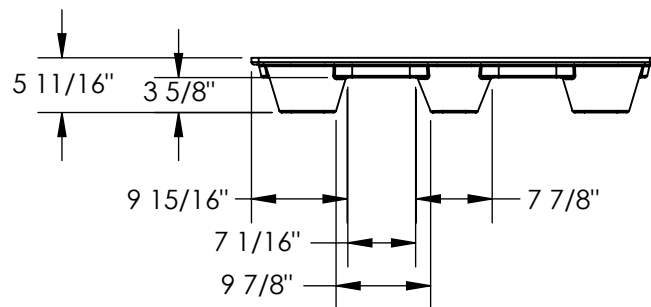
APPROX WEIGHT: 39 lbs.  
DOES NOT INCLUDE WEIGHT OF POWER OR PACKAGING!!!

\*\*\* ANY ADDITIONS, DELETIONS, OR OMISSIONS MUST BE CORRECTED ON THIS DRAWING AS THIS DRAWING WILL BE CONSIDERED ALL INCLUSIVE \*\*\*

ALL GRAPHICS PROVIDED ARE FOR REFERENCE ONLY. IF CERTAIN DIMENSIONS ARE CRITICAL PLEASE VERIFY THOSE DIMENSIONS WITH YOUR SALESPERSON



ISOMETRIC VIEW  
SCALE: 1:16



NOTE: TOP PATTERN MAY VARY

## STANDARD FEATURES

- MODEL NUMBER: PWP-4242
- OVERALL WIDTH: 42 1/4" (FORK POCKETS 12 11/16" X 3 5/8")
- OVERALL LENGTH: 42 1/4" (FORK POCKETS 7 1/16" X 3 5/8")
- OVERALL HEIGHT: 5 11/16"
- STACKABLE (EACH PALLET ADDS 2" TO OVERALL HEIGHT)
- FLOOR (STATIC) WEIGHT CAPACITY: 2000 LBS
- FORK (DYNAMIC) WEIGHT CAPACITY: NOT RATED
- UNSUPPORTED PALLET RACK WEIGHT CAPACITY: NOT RATED

## SPECIAL FEATURES

NONE

<b>A P P R O V A L</b>	I, THE UNDERSIGNED, AGREE THAT THE PRODUCT AS REPRESENTED SATISFIES DESIGN AND DIMENSION REQUIREMENTS. I ALSO ACKNOWLEDGE MY DUTY TO CONFIRM PRODUCT AND INSTALLATION COMPLIANCE WITH ALL APPLICABLE FEDERAL, STATE AND LOCAL REGULATIONS AND STANDARDS.	
	<b>ALL SPECIAL UNITS ARE NON-RETURNABLE</b> [ ] As drawn [ ] As marked	
Signed: _____		Date: _____
LEAD TIME WILL START UPON RECEIPT OF SIGNED APPROVAL DRAWING		

DISTRIBUTOR'S NAME:		P.O.#
VESTIL MANUFACTURING		X
DRAWN BY: DEY		W.O.#
DATE: 11/09/10		X
REFERENCE: X	SCALE: 1:20	SALES: X
QUOTED LEAD TIME: X	QUOTE #	FILE NAME:
	X	30-007-138