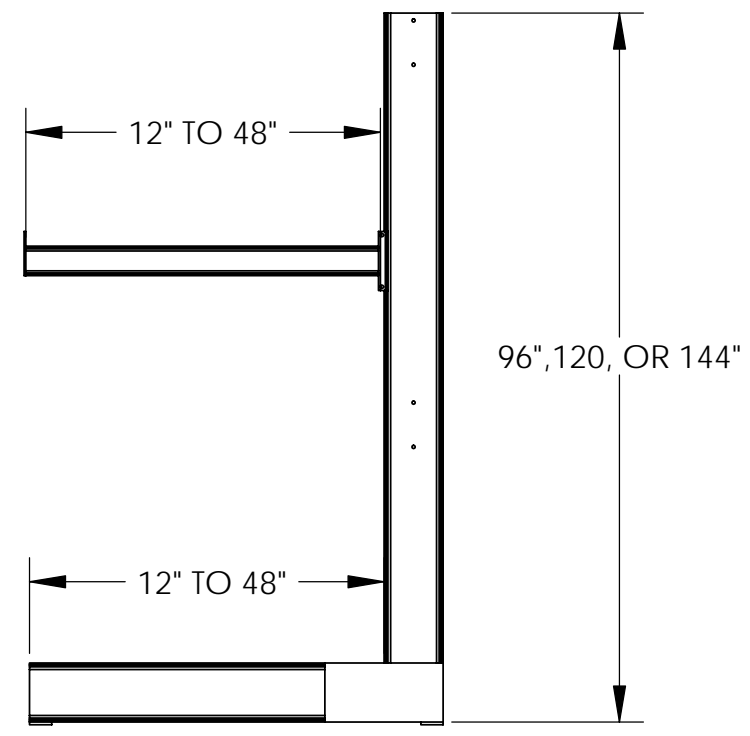
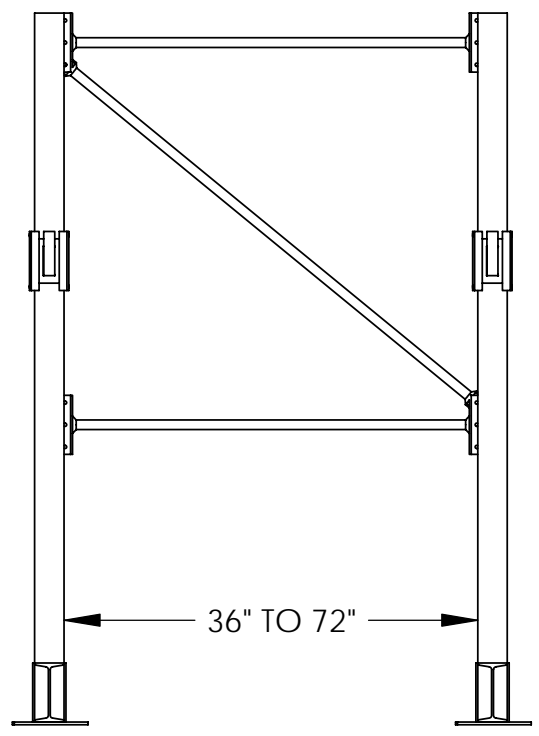


CANTILEVER RACKING - SAC-812 THRU 1248

APPROXIMATE WEIGHT IS: 619.71 lbs.



STANDARD FEATURES

SAC-812 THRU 1248
 USABLE WIDTH :36",48",60",72"
 USABLE LENGTH :12",24",36",48"
 OVERALL HEIGHT:96",120",144"

**ALL SPECIAL UNITS
 ARE NON-RETURNABLE**

A P P R O V A L	I, the undersigned, hereby approve this print. This includes my approval of design & dimensions	
	<input type="checkbox"/> As drawn	<input type="checkbox"/> As marked
	Signed: _____ Date: _____	
LEAD TIME WILL START UPON RECEIPT OF SIGNED APPROVAL DRAWING		

DISTRIBUTOR'S NAME: VESTIL MANUFACTURING			P.O.# X
DRAWN BY: N.F.			W.O.# X
DATE: 10/04/05	SCALE: 1:26		SALES: X
REFERENCE: X	QUOTE # X	FILE NAME: 31-007-079	