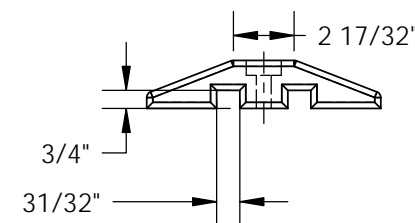
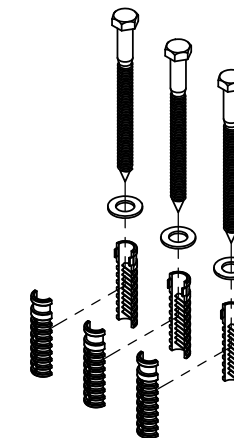
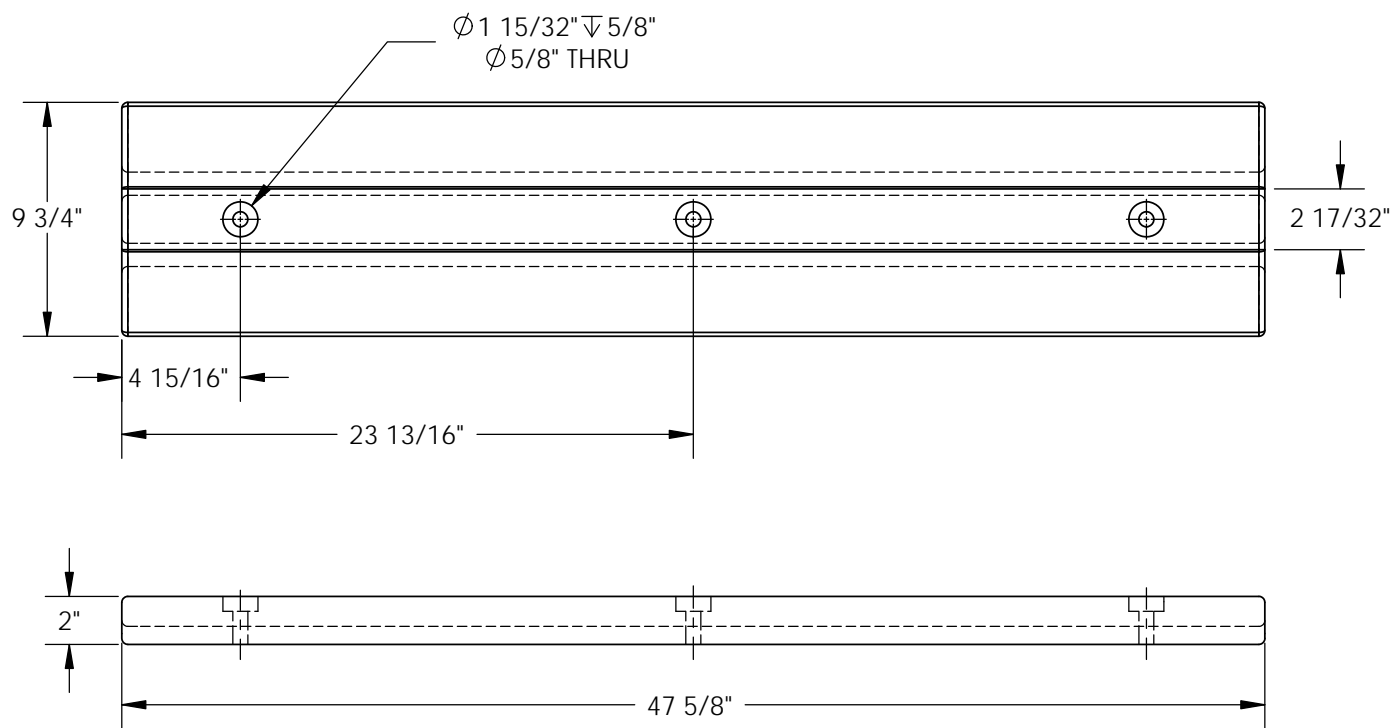


STANDARD SPEED BUMP WITH CONCRETE HARDWARE - SB-48

APPROX WEIGHT: 22.67 lbs.
DOES NOT INCLUDE WEIGHT OF POWER OR PACKAGING!!!

*** ANY ADDITIONS, DELETIONS, OR OMISSIONS MUST BE CORRECTED ON THIS DRAWING AS THIS DRAWING WILL BE CONSIDERED ALL INCLUSIVE ***

ALL GRAPHICS PROVIDED ARE FOR REFERENCE ONLY. IF CERTAIN DIMENSIONS ARE CRITICAL PLEASE VERIFY THOSE DIMENSIONS WITH YOUR SALESPERSON



DIMENSION TOLERANCE $\pm 1/4"$

STANDARD FEATURES

- MODEL NUMBER IS SB-48
- OVERALL WIDTH IS: 9 3/4"
- OVERALL LENGTH IS: 47 5/8"
- OVERALL HEIGHT IS: 2"
- MADE FROM 100% RECYCLED PLASTIC
- UNIT MAY SHRINK AFTER COOLING
- 3 PRE-DRILLED MOUNTING HOLES: $\text{Ø}1\ 15/32"$ COUNTERBORED 5/8", TO $\text{Ø}5/8"$ THRU
- INCLUDES CS-33-KIT-3 (29-001-123); CONCRETE INSTALLATION KIT
- 3 BOLTS
- 3 WASHERS
- 3 SETS OF ANCHOR SLEEVES

SPECIAL FEATURES

NONE

APPROVAL	I, THE UNDERSIGNED, AGREE THAT THE PRODUCT AS REPRESENTED SATISFIES DESIGN AND DIMENSION REQUIREMENTS. I ALSO ACKNOWLEDGE MY DUTY TO CONFIRM PRODUCT AND INSTALLATION COMPLIANCE WITH ALL APPLICABLE FEDERAL, STATE AND LOCAL REGULATIONS AND STANDARDS.	
	ALL SPECIAL UNITS ARE NON-RETURNABLE	
	[] As drawn [] As marked	
Signed: _____		Date: _____
LEAD TIME WILL START UPON RECEIPT OF SIGNED APPROVAL DRAWING		

FOR INTERNAL USE ONLY PROJECT SIGN OFF	
SALES	
ENG.	
FAB.	
POWER	

DISTRIBUTOR'S NAME:		P.O.#
VESTIL MANUFACTURING		X
DRAWN BY:	DATE:	W.O.#
T.MOORE	06/14/10	X
REFERENCE:	SCALE:	SALES:
X	1:8	X
QUOTED LEAD TIME:	QUOTE #	FILE NAME:
X	X	29-007-086