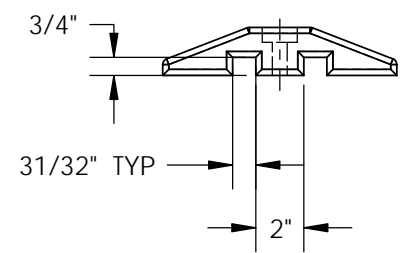
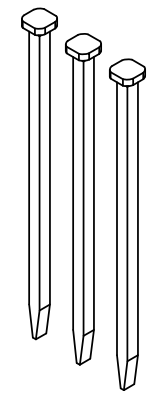
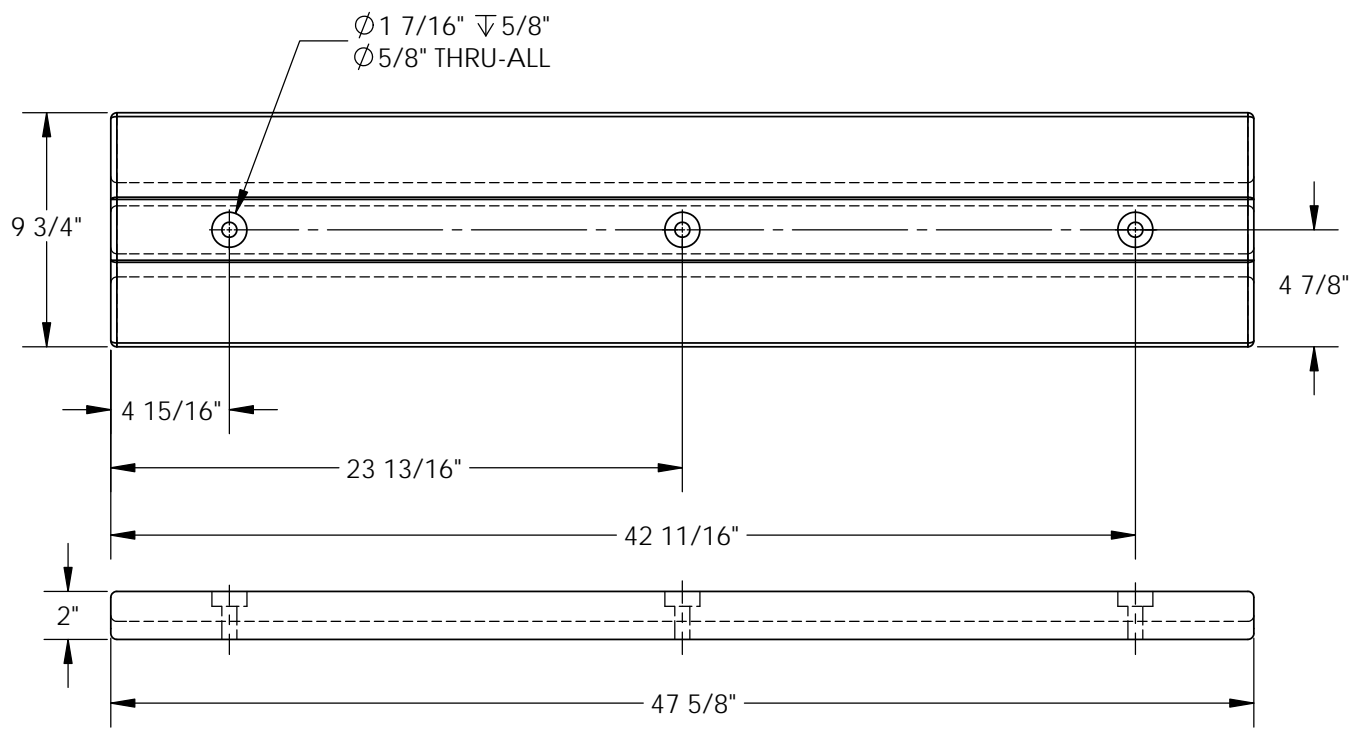


STANDARD SPEED BUMP WITH ASPHALT HARDWARE - SBA-48

APPROX WEIGHT: 23.59 lbs.
DOES NOT INCLUDE WEIGHT OF POWER OR PACKAGING!!!

*** ANY ADDITIONS, DELETIONS, OR OMISSIONS MUST BE CORRECTED ON THIS DRAWING AS THIS DRAWING WILL BE CONSIDERED ALL INCLUSIVE ***

ALL GRAPHICS PROVIDED ARE FOR REFERENCE ONLY. IF CERTAIN DIMENSIONS ARE CRITICAL PLEASE VERIFY THOSE DIMENSIONS WITH YOUR SALESPERSON



STANDARD FEATURES

- MODEL NUMBER IS SBA-48
- OVERALL WIDTH IS: 9 3/4"
- OVERALL LENGTH IS: 47 5/8"
- OVERALL HEIGHT IS: 2"
- MADE FROM 100% RECYCLED PLASTIC
- UNIT MAY SHRINK AFTER COOLING
- 3 PRE-DRILLED MOUNTING HOLES: Ø1 7/16" COUNTERBORED 5/8", TO Ø5/8" THRU
- INCLUDES CS-AK (29-001-122); ASPHALT INSTALLATION KIT
- 3 SPIKES
- BUTYL TAPE

SPECIAL FEATURES

NONE

APPROVAL	I, THE UNDERSIGNED, AGREE THAT THE PRODUCT AS REPRESENTED SATISFIES DESIGN AND DIMENSION REQUIREMENTS. I ALSO ACKNOWLEDGE MY DUTY TO CONFIRM PRODUCT AND INSTALLATION COMPLIANCE WITH ALL APPLICABLE FEDERAL, STATE AND LOCAL REGULATIONS AND STANDARDS.	
	ALL SPECIAL UNITS ARE NON-RETURNABLE	
	<input type="checkbox"/> As drawn	<input type="checkbox"/> As marked
Signed: _____	Date: _____	
LEAD TIME WILL START UPON RECEIPT OF SIGNED APPROVAL DRAWING		

DISTRIBUTOR'S NAME:		P.O.#
VESTIL MANUFACTURING		X
DRAWN BY: T. MOORE		W.O.#
DATE: 06/14/10		X
REFERENCE: X	SCALE: 1:8	SALES: X
QUOTED LEAD TIME: X		FILE NAME:
QUOTE # X		29-007-128