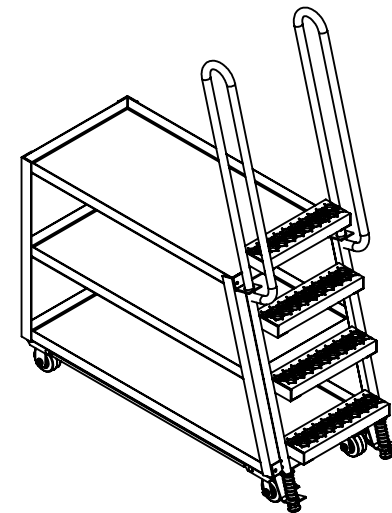
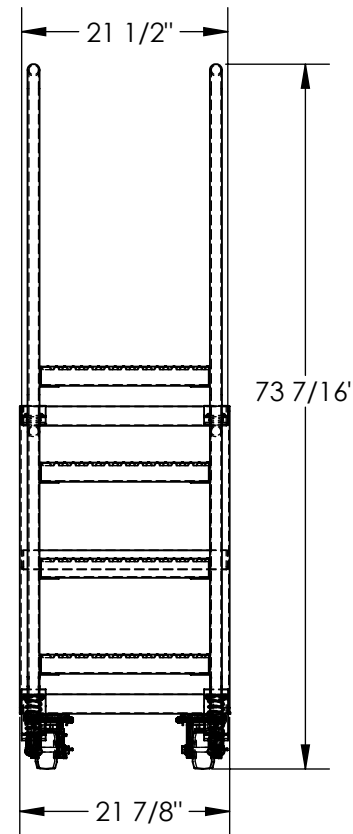
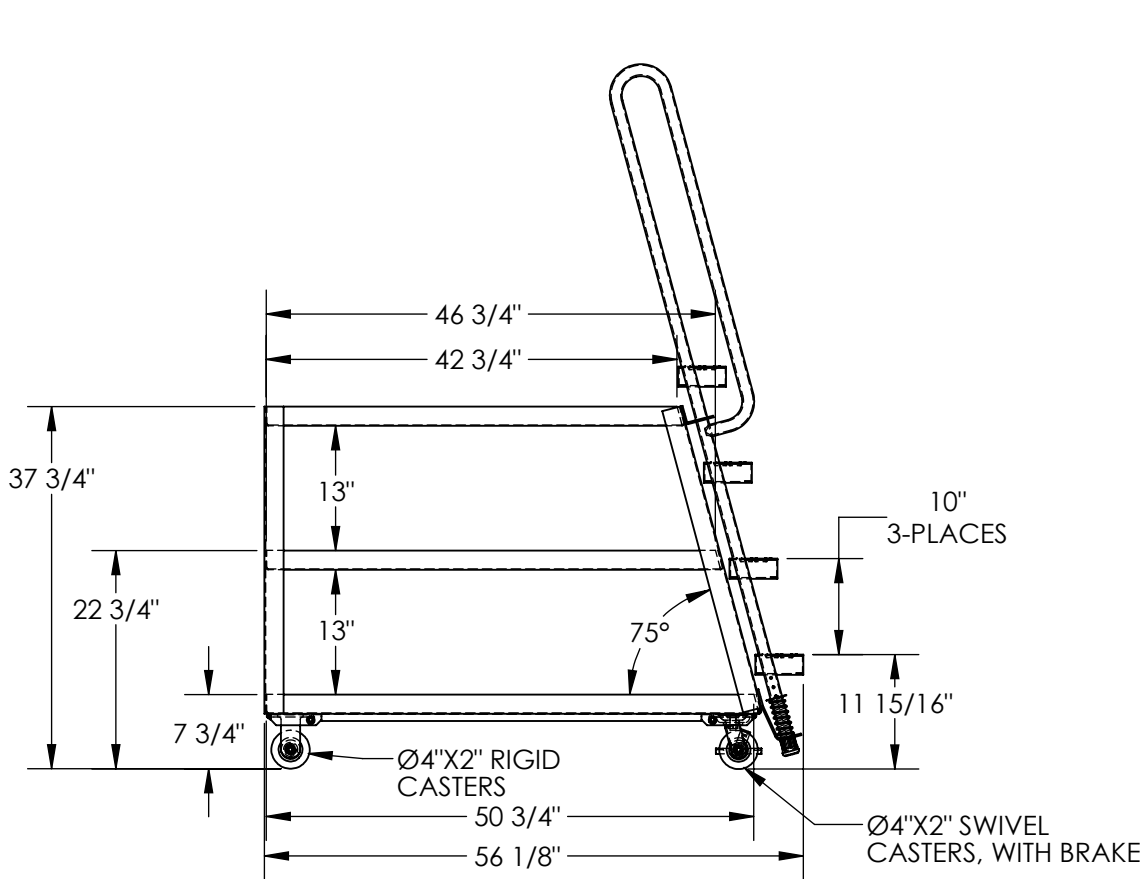


# HI-DUTY STOCK PICKER TRUCK - SPS-HD-2252

APPROX WEIGHT: 184.99 lbs.  
 DOES NOT INCLUDE WEIGHT OF POWER OR PACKAGING!!!

\*\*\* ANY ADDITIONS, DELETIONS, OR OMISSIONS MUST BE CORRECTED ON THIS DRAWING AS THIS DRAWING WILL BE CONSIDERED ALL INCLUSIVE \*\*\*

ALL GRAPHICS PROVIDED ARE FOR REFERENCE ONLY. IF CERTAIN DIMENSIONS ARE CRITICAL PLEASE VERIFY THOSE DIMENSIONS WITH YOUR SALESPERSON



DIMENSION TOLERANCE ± 1/4"

## STANDARD FEATURES

- MODEL NUMBER IS SPS-HD-2252
- MAX CAPACITY PER SHELF IS 500 LBS.
- MAX CAPACITY TOTAL IS 1,000 LBS.
- OVERALL WIDTH IS 21 7/8"
- USABLE WIDTH IS 21 1/2"
- OVERALL LENGTH IS 56 1/8"
- OVERALL HEIGHT IS 73 7/16"
- TOP SHELF SIZE (USABLE) IS 21 1/2" X 42 3/4"
- MIDDLE SHELF SIZE (USABLE) IS 21 1/2" X 46 3/4"
- BOTTOM SHELF SIZE (USABLE) 21 1/2" X 50 3/4"
- SHELF CLEARANCE IS 13"
- (2) 4"X2" MOLD-ON RUBBER RIGID CASTER
- (2) 4"X2" MOLD-ON RUBBER SWIVEL CASTER WITH BRAKE

## SPECIAL FEATURES

NONE

FOR INTERNAL USE ONLY PROJECT SIGN OFF	
SALES	
ENG.	
FAB.	
POWER	

<b>APPROVAL</b>	I, THE UNDERSIGNED, AGREE THAT THE PRODUCT AS REPRESENTED SATISFIES DESIGN AND DIMENSION REQUIREMENTS. I ALSO ACKNOWLEDGE MY DUTY TO CONFIRM PRODUCT AND INSTALLATION COMPLIANCE WITH ALL APPLICABLE FEDERAL, STATE AND LOCAL REGULATIONS AND STANDARDS.	
	<b>ANY MODIFIED UNITS ARE NON-RETURNABLE</b>	
	[ ] As drawn	[ ] As marked
	Signed: _____	Date: _____
	Printed Name: _____	
LEAD TIME WILL START UPON RECEIPT OF SIGNED APPROVAL DRAWING		

DISTRIBUTOR'S NAME:		P.O.#
VESTIL MANUFACTURING		X
DRAWN BY: CJC		W.O.#
DATE: 10/5/2015		X
REFERENCE: X	SCALE: 1:20	SALES: X
QUOTED LEAD TIME: X	QUOTE #	FILE NAME:
	X	32-007-036