

# POWER LIFT JIB CRANE-WTJ-20-3-DC-GAL

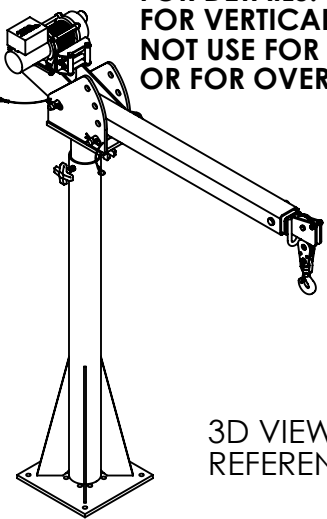
APPROX WEIGHT: 240.60 lbs. DOES NOT INCLUDE WEIGHT OF POWER OR PACKAGING!!!

\*\*\*ANY ADDITIONS, DELETIONS, OR OMISSIONS MUST BE CORRECTED ON THIS DRAWING AS THIS DRAWING WILL BE CONSIDERED ALL INCLUSIVE\*\*\*  
 \*\*\*ALL GRAPHICS PROVIDED ARE FOR REFERENCE ONLY. IF CERTAIN DIMENSIONS ARE CRITICAL PLEASE VERIFY THOSE DIMENSIONS WITH YOUR SALESPERSON\*\*\*

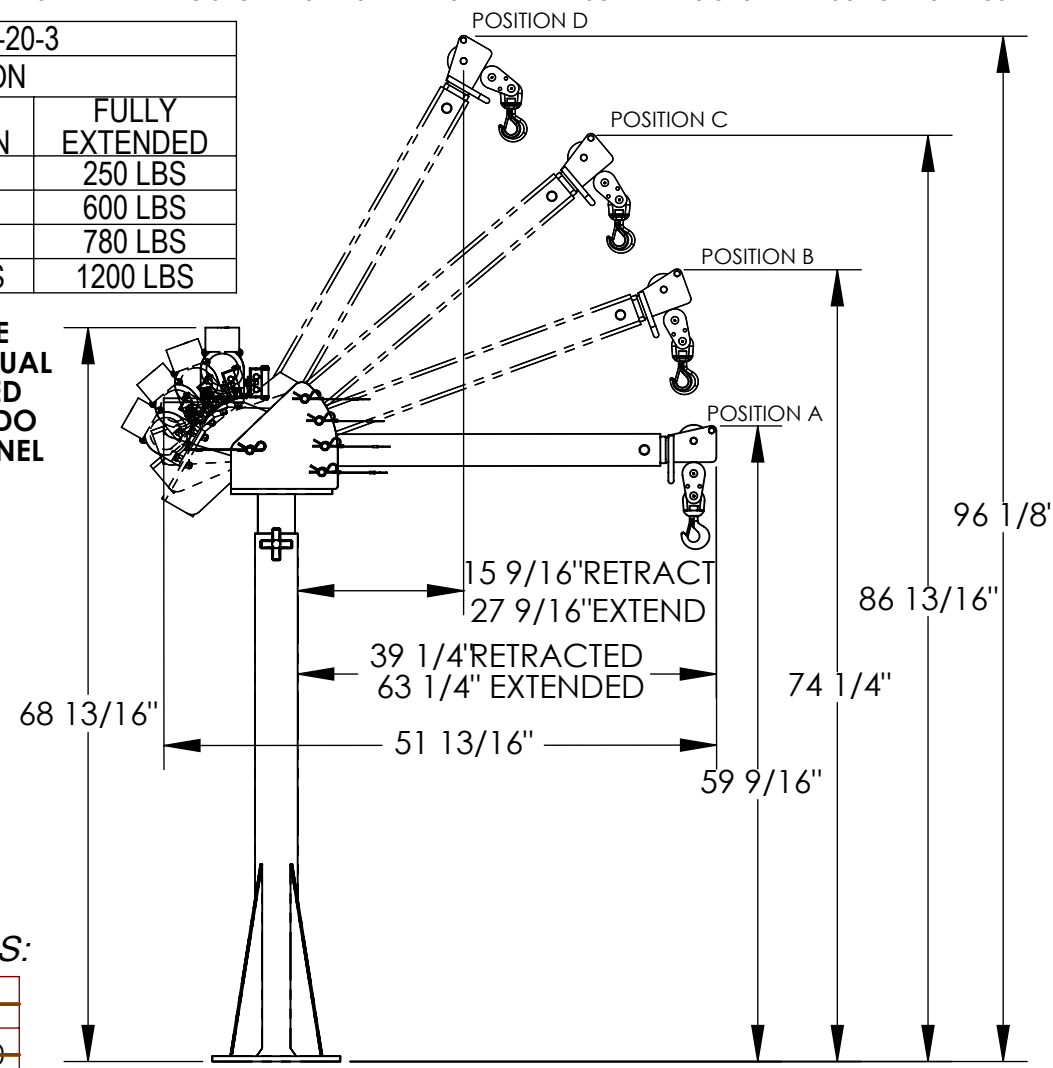
## BOOM CAPACITY CHART WTJ-20-3

BOOM POSITION	BOOM EXTENSION		
	FULLY RETRACTED	MID-POSITION	FULLY EXTENDED
A	650 LBS	400 LBS	250 LBS
B	1000 LBS	770 LBS	600 LBS
C	1250 LBS	950 LBS	780 LBS
D	2000 LBS	1500 LBS	1200 LBS

**SPECIAL FOUNDATION MAY BE REQUIRED, SEE OWNERS MANUAL FOR DETAILS. UNIT IS DESIGNED FOR VERTICAL LIFTING ONLY. DO NOT USE FOR LIFTING PERSONNEL OR FOR OVERHEAD LIFTING.**



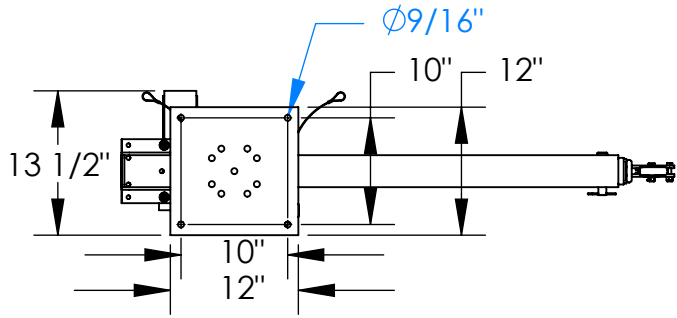
3D VIEW SHOWN FOR REFERENCE ONLY



### PLEASE CIRCLE SPECIFICATIONS:

POWER	<input type="checkbox"/> AC	<input checked="" type="checkbox"/> DC (12V)	<input type="checkbox"/> AIR/OIL
MOTOR VOLTAGE	<input type="checkbox"/> 115	<input type="checkbox"/> 208	<input type="checkbox"/> 230 460
DEDICATED CIRCUIT REQUIRED			
MOTOR PHASE	<input type="checkbox"/> SINGLE	<input type="checkbox"/> THREE	
CONTROL	<input checked="" type="checkbox"/> HAND	<input type="checkbox"/> FOOT	
* BATTERY CHRG.	<input checked="" type="checkbox"/> REMOTE	<input type="checkbox"/> ON BOARD	

\* AVAILABLE AT ADDITIONAL COST



### STANDARD FEATURES

- MODEL NUMBER IS: WTJ-20-3-DC-GAL
- CAPACITY IS: 2,000 LBS.
- OVERALL WIDTH IS: 13 1/2"
- OVERALL RETRACT LENGTH IS: 51 13/16"
- USABLE RETRACTED LENGTH IS: 39 1/4"
- USABLE EXTENDED LENGTH IS: 63 1/4"
- OVERALL HEIGHT IS: 68 13/16"
- OVERALL STORAGE HEIGHT IS: 70"
- 12V DC POWERED WINCH
- WITH HAND PENDANT CONTROL
- Ø3/16" X 46' LG CABLE WITH HOOK
- HOT DIPPED GALVANIZED FINISH

### STANDARD FEATURES

NONE

I, THE UNDERSIGNED, AGREE THAT THE PRODUCT AS REPRESENTED SATISFIES DESIGN AND DIMENSION REQUIREMENTS. I ALSO ACKNOWLEDGE MY DUTY TO CONFIRM PRODUCT AND INSTALLATION COMPLIANCE WITH ALL APPLICABLE FEDERAL, STATE AND LOCAL REGULATIONS AND STANDARDS.

**ALL SPECIAL UNITS ARE NON-RETURNABLE**  
 [ ] As drawn [ ] As marked

Signed: \_\_\_\_\_ Date: \_\_\_\_\_

LEAD TIME WILL START UPON RECEIPT OF SIGNED APPROVAL DRAWING

DISTRIBUTOR'S NAME:		P.O.#
VESTIL MANUFACTURING		X
DRAWN BY: ND		DATE: 12/6/14
REFERENCE: X		SCALE: 1:18
QUOTED LEAD TIME: X		QUOTE # X
		SALES: X
		FILE NAME:
		28-007-366