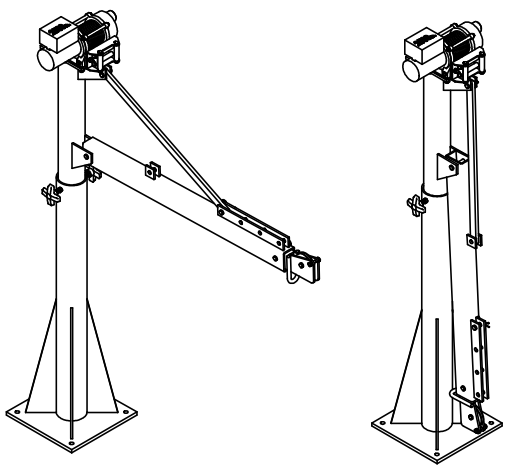
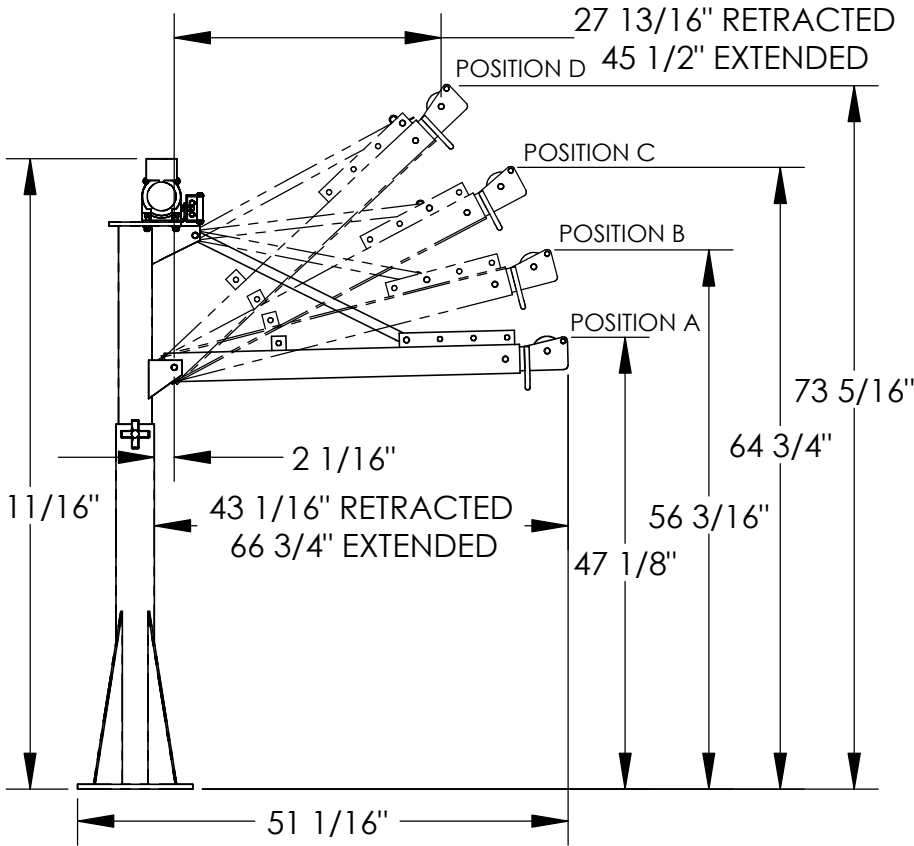


POWER LIFT JIB CRANE - WTJ-E-15-3-DC

APPROX WEIGHT: 200.41 lbs. DOES NOT INCLUDE WEIGHT OF POWER OR PACKAGING!!!

ANY ADDITIONS, DELETIONS, OR OMISSIONS MUST BE CORRECTED ON THIS DRAWING AS THIS DRAWING WILL BE CONSIDERED ALL INCLUSIVE
 ALL GRAPHICS PROVIDED ARE FOR REFERENCE ONLY. IF CERTAIN DIMENSIONS ARE CRITICAL PLEASE VERIFY THOSE DIMENSIONS WITH YOUR SALESPERSON

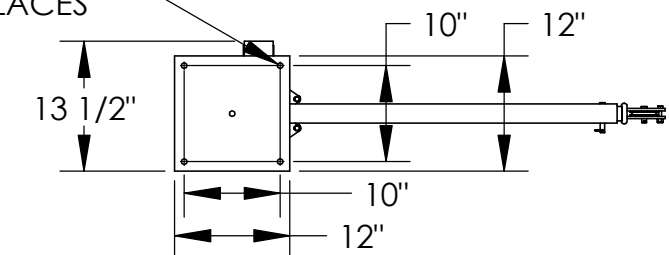
BOOM CAPACITY CHART WTJ-E-15-3			
BOOM POSITION	BOOM EXTENSION		
	FULLY RETRACTED	MID-POSITION	FULLY EXTENDED
A	650 LBS	300 LBS	200 LBS
B	1100 LBS	650 LBS	550 LBS
C	1250 LBS	850 LBS	650 LBS
D	1500 LBS	1150 LBS	800 LBS



3D VIEW OF ASSMEBLED & COLLAPSED UNIT SHOWN FOR REFERENCE ONLY

PLEASE CIRCLE SPECIFICATIONS:

POWER	AC	DC	AIR/OIL
MOTOR VOLTAGE	115	208	230 460
DEDICATED CIRCUIT REQUIRED			
MOTOR PHASE	SINGLE	THREE	
CONTROL	HAND	FOOT	
~ ALL BATTERY CHARGERS ARE 115V AC ~			
BATTERY CHRG.	*REMOTE	ON BOARD	



PULL, SPEED, AMPERES, VOLTS (FIRST LAYER)	
LINE PULL LBS (KGS)	LINE SPEED FT/MIN (M/MIN)
	12 V DC
0	9 (2.74)
500 (227)	7.5 (2.28)
1000 (454)	5.9 (1.8)
2000 (909)	2 (0.6)

FOR INTERNAL USE ONLY PROJECT SIGN OFF	
SALES	
ENG.	
FAB.	
POWER	

SPECIAL FOUNDATION MAY BE REQUIRED, SEE OWNERS MANUAL FOR DETAILS. UNIT IS DESIGNED FOR VERTICAL LIFTING ONLY. DO NOT USE FOR LIFTING PERSONNEL OR FOR OVERHEAD LIFTING.

* AVAILABLE AT ADDITIONAL COST
 DIMENSION TOLERANCE ± 1/4"

STANDARD FEATURES

- MODEL NUMBER IS: WTJ-E-15-3-DC
- CAPACITY IS: 1,500 LBS.
- OVERALL WIDTH IS: 13 1/2"
- OVERALL RETRACT LENGTH IS: 51 1/16"
- USABLE RETRACTED LENGTH IS: 43 1/16"
- USABLE EXTENDED LENGTH IS: 66 3/4"
- OVERALL HEIGHT IS: 65 11/16"
- 12V DC POWERED WINCH
- WITH HAND PENDANT CONTROL
- Ø3/16" X 46' LG CABLE AND HOOK

SPECIAL FEATURES

NONE

APPROVAL

I, THE UNDERSIGNED, AGREE THAT THE PRODUCT AS REPRESENTED SATISFIES DESIGN AND DIMENSION REQUIREMENTS. I ALSO ACKNOWLEDGE MY DUTY TO CONFIRM PRODUCT AND INSTALLATION COMPLIANCE WITH ALL APPLICABLE FEDERAL, STATE AND LOCAL REGULATIONS AND STANDARDS.

ANY MODIFIED UNITS ARE NON-RETURNABLE

[] As drawn [] As marked

Signed: _____ Date: _____

Printed Name: _____

LEAD TIME WILL START UPON RECEIPT OF SIGNED APPROVAL DRAWING

DISTRIBUTOR'S NAME:		P.O.#
VESTIL MANUFACTURING		X
DRAWN BY: ND		W.O.#
DATE: 10/19/12		X
REFERENCE: X	SCALE: 1:20	SALES: X
QUOTED LEAD TIME: X	QUOTE # X	FILE NAME:
		28-007-108