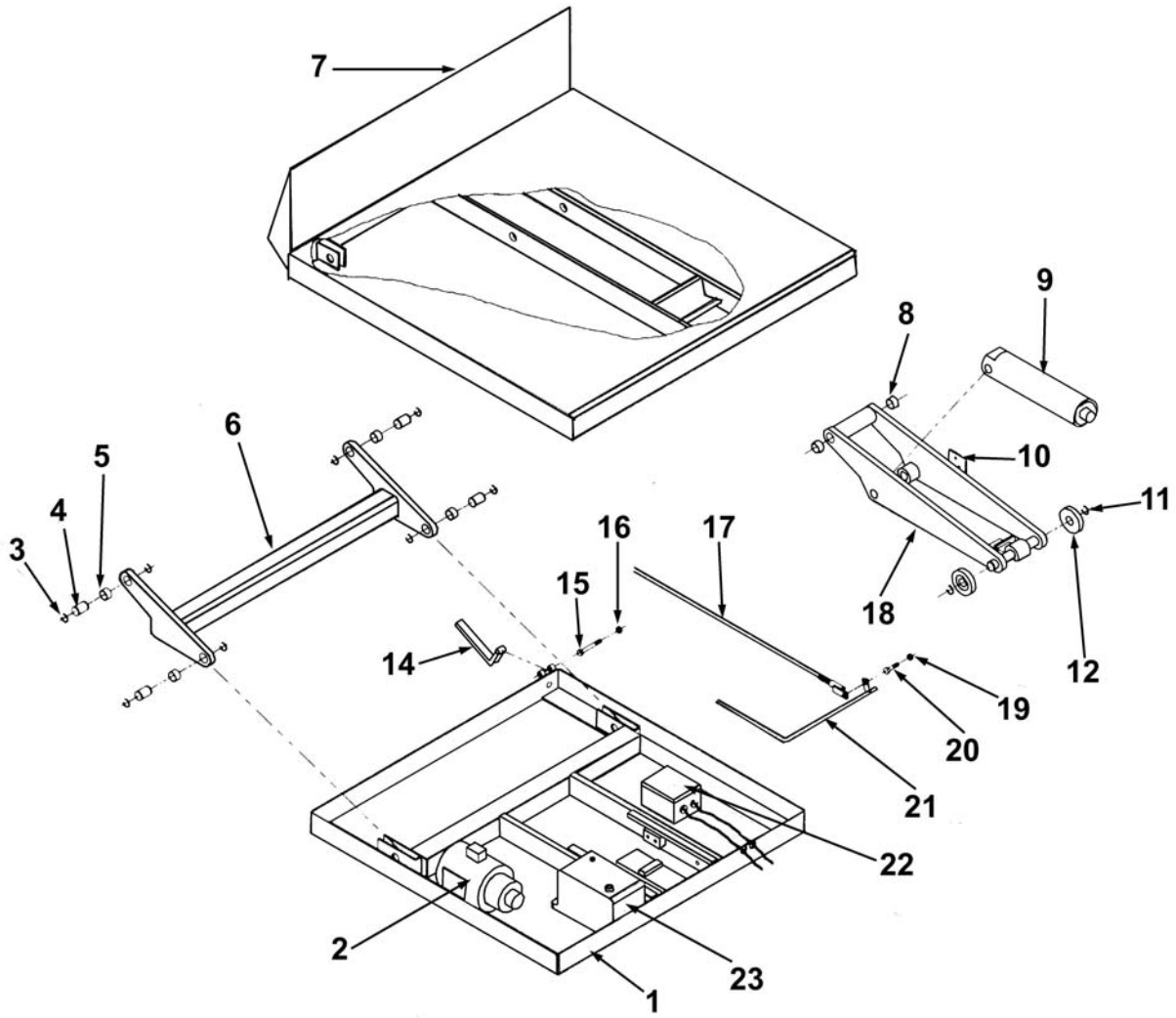


UNI TILT



Ref. #	Model #	Generic Part #	Eng. Part #	Description
1	UNI-TILT	UNI-BASE		Base Assembly
2	UNI-TILT	UNI-MPA		Motor Pump Assy. Need Voltage & Phz.
3	UNI-TILT	UNI-EXRR	68021	External Snap Ring 1-1/8"
4	UNI-TILT	UNI-HP		Hinge Pin
5	UNI-TILT	UNI-HPB		Hinge Pin Bushing
6	UNI-TILT	UNI-FLA		Front Leg Assembly (Weldment)
7	UNI-TILT	UNI-DA		Deck Assembly (Weldment)
8	UNI-TILT	UNI-BLAB		Back Leg Assy. Bushing
9	UNI-TILT	UNI-CYL		Hydraulic Cylinder (3 x 10)
10	UNI-TILT	UNI-LSMT		Limit Switch Mounting Plate
11	UNI-TILT	UNI-EXRR	68021	External Snap Ring 1-1/8"
12	UNI-TILT	UNI-RLR		Roller
13	UNI-TILT	UNI-ARM		Locking Arm
14	UNI-TILT	UNI-PED		Sequence Select Pedal
15	UNI-TILT	UNI-BLT-1		Bolt 3/8-16 x 3-1/2"
16	UNI-TILT	UNI-NUT-1		Hex Nut 3/8-16 UNC
17	UNI-TILT	UNI-CRD		Compression Rod
18	UNI-TILT	UNI-BLA		Back Leg Assembly (Weldment)
19	UNI-TILT	UNI-NUT-2		Hex Nut 5/16-18 UNC
20	UNI-TILT	UNI-BLT-2		Bolt 5/16-18 x 1-1/2"
21	UNI-TILT	UNI-SRD		Selection Rod
22	UNI-TILT	UNI-CB		Controlls Box
23	UNI-TILT	UNI-RES	03-023-001	Hydraulic Reservoir
24	UNI-TILT	UNI-HC	01-522-015	Pendent Hand Control With Cord
	UNI-TILT	UNI-MTR		Motor (Must Have Voltage,Phz. & Serial #)
	UNI-TILT	UNI-PMP		Pump (Must Have Serial #)
	UNI-TILT	UNI-CVA	SV08-20S-O-N-24AC	Cartridge Valve Assembly With Coil
	UNI-TILT	UNI-LS	MJ1-6114	Roller Arm Limit Switch
	UNI-TILT	UNI-KIT-A		Cylinder Seal Kit (Must Have Serial #)
	UNI-TILT	UNI-KIT-B		Hinge Pin Repair Kit
	UNI-TILT	UNI-KIT-C		Bushing Repair Kit
	UNI-TILT	UNI-KIT-D		Roller Repair Kit
	UNI-TILT	UNI-KIT-E		Limit Switch Repair Kit