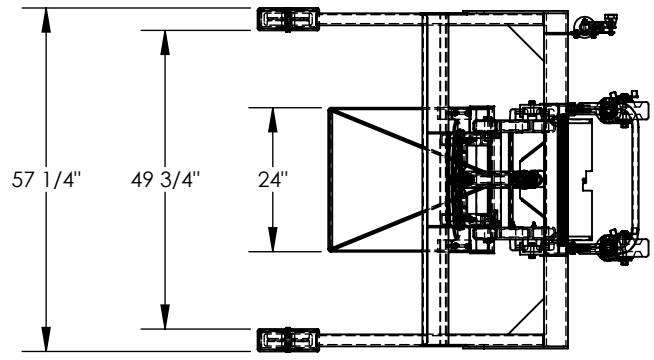


# MULTI-PURPOSE TOTE DUMPER-JMD-1000-48

APPROX WEIGHT: 1044.93 lbs.  
 DOES NOT INCLUDE WEIGHT OF POWER OR PACKAGING!!!

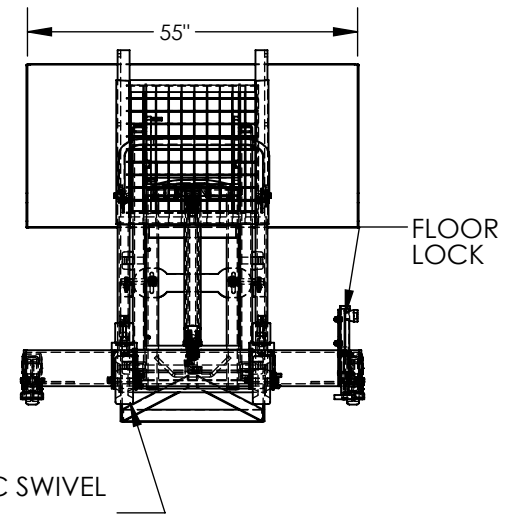
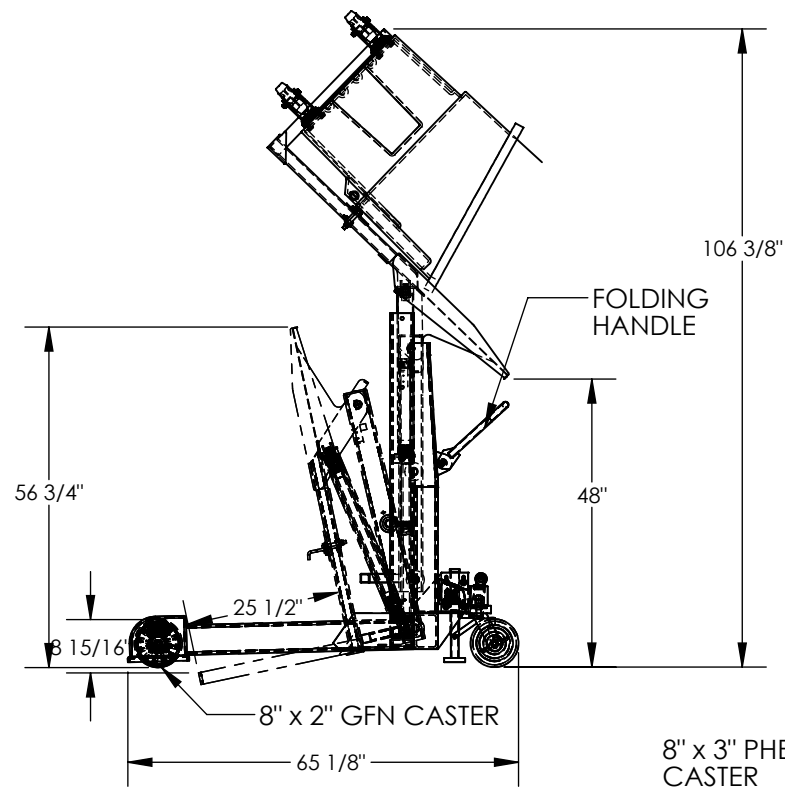
\*\*\*ANY ADDITIONS, DELETIONS, OR OMISSIONS MUST BE CORRECTED ON THIS DRAWING AS THIS DRAWING WILL BE CONSIDERED ALL INCLUSIVE\*\*\*



**PLEASE CIRCLE SPECIFICATIONS:**

POWER	<input type="checkbox"/> AC	<input checked="" type="checkbox"/> DC (12V)	<input type="checkbox"/> *AIR/OIL	
MOTOR VOLTAGE	<input type="checkbox"/> 115	<input type="checkbox"/> 208	<input type="checkbox"/> 230	<input type="checkbox"/> 460
DEDICATED CIRCUIT REQUIRED				
MOTOR PHASE	<input type="checkbox"/> SINGLE		<input type="checkbox"/> THREE	
CONTROL	<input checked="" type="checkbox"/> HAND		<input type="checkbox"/> * FOOT	
~ ALL BATTERY CHARGERS ARE 115V AC ~				
BATTERY CHRG.	<input type="checkbox"/> REMOTE		<input type="checkbox"/> ON-BOARD	
* CHRG. INDICATOR	<input type="checkbox"/> YES		<input type="checkbox"/> NO	

\* AVAILABLE AT ADDITIONAL COST



ALL GRAPHICS PROVIDED ARE FOR REFERENCE ONLY. IF CERTAIN DIMENSIONS ARE CRITICAL PLEASE VERIFY THOSE DIMENSIONS WITH YOUR SALESPERSON

DIMENSION TOLERANCE ± 1/4"

**STANDARD FEATURES**

- MODEL NUMBER IS JMD-1000-48
- MAXIMUM CAPACITY IS 600 LBS
- \*CAPACITY MAY BE DOWN RATED TO CAPACITY OF TOTE BEING USED
- OVERALL WIDTH IS 57 1/4"
- USABLE CHUTE WIDTH IS 55"
- STRADDLE WIDTH(I.D.) IS 49 3/4"
- OVERALL LENGTH IS 65 1/8"
- DUMP HEIGHT IS 48"
- OVERALL LOWERED HEIGHT IS 56 3/4"
- OVERALL ROTATED HEIGHT IS 106 3/8"
- MAXIMUM ROTATION ANGLE IS 135°
- FLOOR LOCK
- INCLUDES ONE MPT-2 POLYETHYLENE TOTE (600 LBS CAP)
- DURABLE LIQUID PAINT BLUE FINISH

**\*ADDITIONAL TOTES**

- MPT-1 TOTE HAS A 200 LBS CAP.
- MPT-2 TOTE HAS A 600 LBS CAP.

**SPECIAL FEATURES**

NONE

**APPROVAL**

I, THE UNDERSIGNED, AGREE THAT THE PRODUCT AS REPRESENTED SATISFIES DESIGN AND DIMENSION REQUIREMENTS. I ALSO ACKNOWLEDGE MY DUTY TO CONFIRM PRODUCT AND INSTALLATION COMPLIANCE WITH ALL APPLICABLE FEDERAL, STATE AND LOCAL REGULATIONS AND STANDARDS.

**UNITS REQUIRING APPROVAL DRAWINGS OR MODIFIED ARE NON-RETURNABLE**

As drawn       As marked

Signed: \_\_\_\_\_ Date: \_\_\_\_\_

Printed Name: \_\_\_\_\_

LEAD TIME WILL START UPON RECEIPT OF SIGNED APPROVAL DRAWING

DISTRIBUTOR'S NAME:		P.O.#
VESTIL MANUFACTURING		X
DRAWN BY: WHR		W.O.#
DATE: 12/21/2011		X
REFERENCE: X	SCALE: 1:32	SALES: X
QUOTED LEAD TIME: X	QUOTE #	FILE NAME:
	X	34-007-016