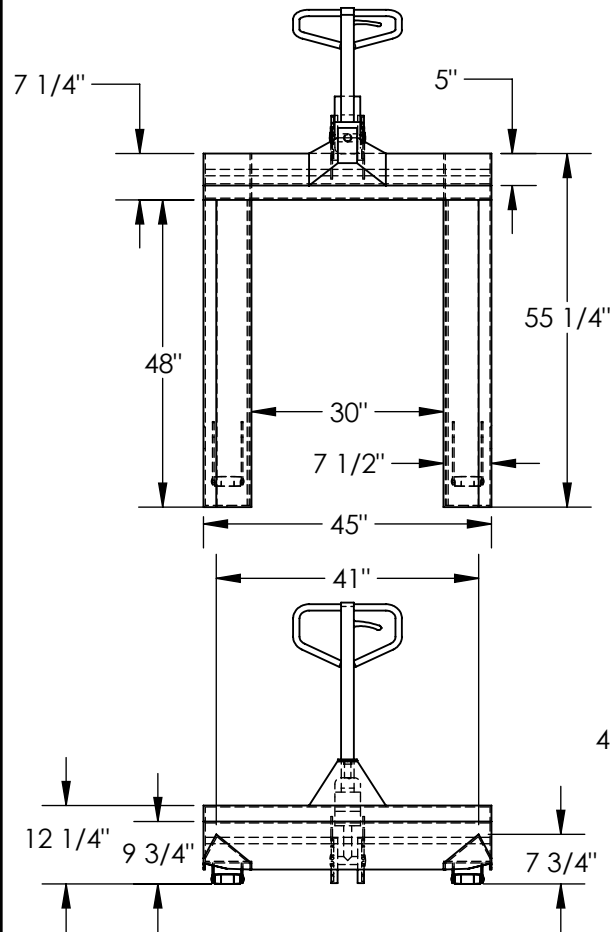


ROLL PALLET TRUCK - PM4-4548-RL

APPROX WEIGHT: 370 lbs.
 DOES NOT INCLUDE WEIGHT OF POWER OR PACKAGING!!!

*** ANY ADDITIONS, DELETIONS, OR OMISSIONS MUST BE CORRECTED ON THIS DRAWING AS THIS DRAWING WILL BE CONSIDERED ALL INCLUSIVE ***

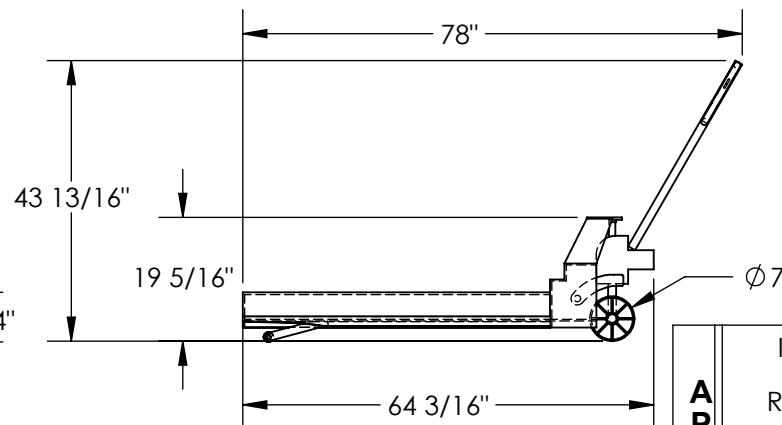
ALL GRAPHICS PROVIDED ARE FOR REFERENCE ONLY. IF CERTAIN DIMENSIONS ARE CRITICAL PLEASE VERIFY THOSE DIMENSIONS WITH YOUR SALESPERSON



STANDARD FEATURES

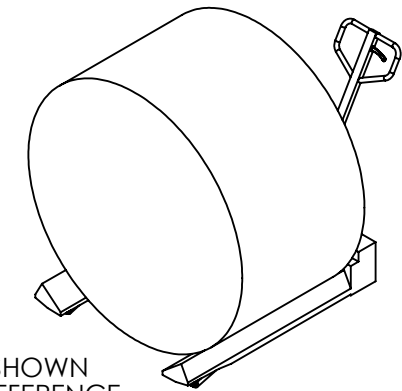
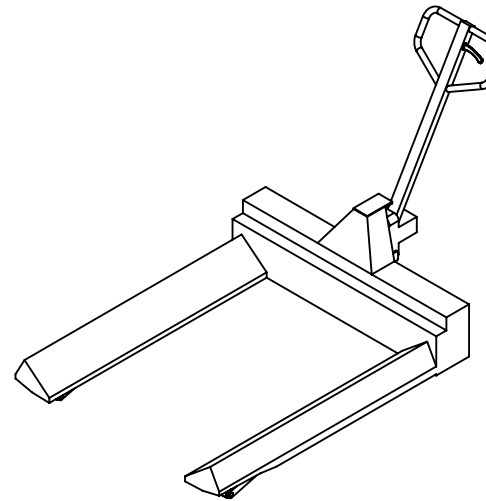
MODEL NUMBER IS PM4-4548-RL
 OVERALL WIDTH IS 45"
 USABLE WIDTH IS 30"
 OVERALL LENGTH WITHOUT HANDLE IS 64 3/16"
 USABLE LENGTH IS 48"
 OVERALL HEIGHT WITHOUT HANDLE IS 19 5/16"
 MAX CAPACITY IS 4000 LBS. UNIFORM

OVERALL MEASUREMENTS WITH HANDLE
 WILL VARY DEPENDING ON RESTING POSITION
 LENGTH WITH HANDLE IS 78"
 HEIGHT WITH HANDLE IS 43 13/16"
 TOUGH BAKED IN POWDER COATED YELLOW FINISH

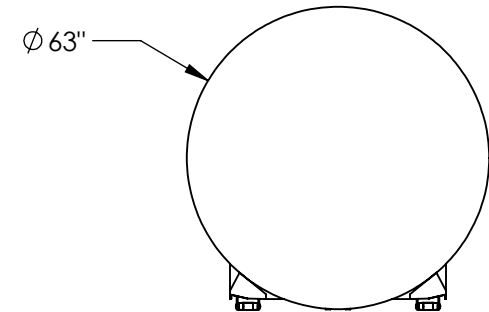


SPECIAL FEATURES

NONE



ROLL SHOWN
 FOR REFERENCE
 ONLY



DIMENSION TOLERANCE ± 1/2"

APPROVAL

I, THE UNDERSIGNED, AGREE THAT THE PRODUCT AS REPRESENTED SATISFIES DESIGN AND DIMENSION REQUIREMENTS. I ALSO ACKNOWLEDGE MY DUTY TO CONFIRM PRODUCT AND INSTALLATION COMPLIANCE WITH ALL APPLICABLE FEDERAL, STATE AND LOCAL REGULATIONS AND STANDARDS.
UNITS REQUIRING APPROVAL DRAWINGS OR MODIFIED ARE NON-RETURNABLE
 As drawn As marked

Signed: _____ Date: _____

Printed Name: _____

LEAD TIME WILL START UPON RECEIPT OF SIGNED APPROVAL DRAWING

DISTRIBUTOR'S NAME:		P.O.#
VESTIL MANUFACTURING		X
DRAWN BY: X		W.O.#
DATE: XX/XX/XX		X
REFERENCE: X	SCALE: 1:30	SALES: X
QUOTED LEAD TIME: X	QUOTE #	FILE NAME:
	X	15-007-120