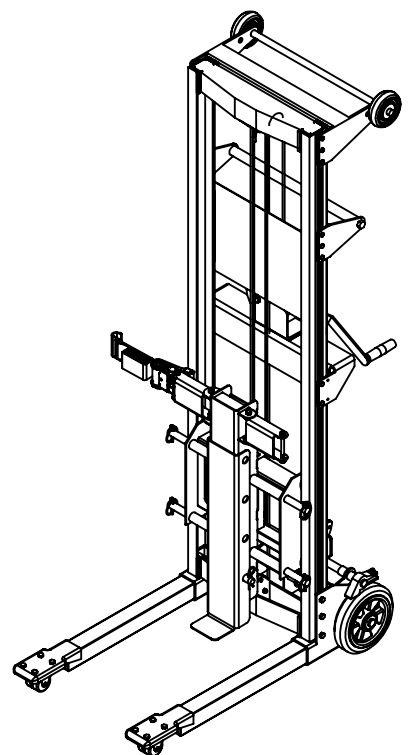
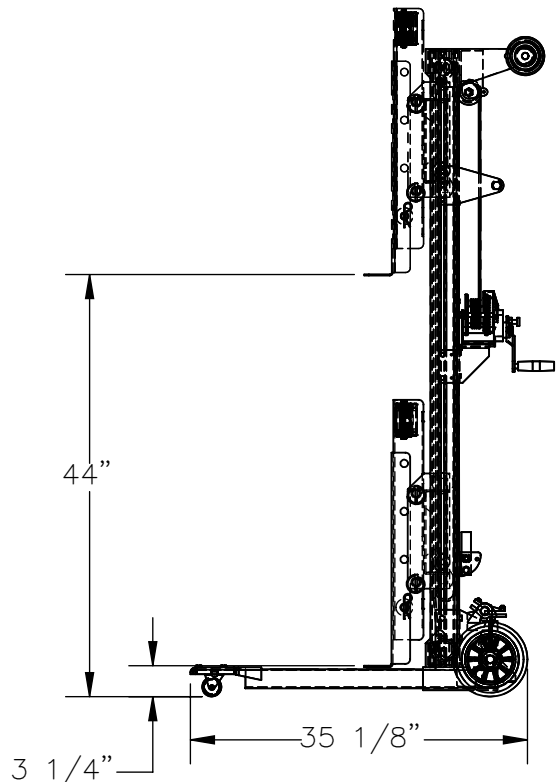
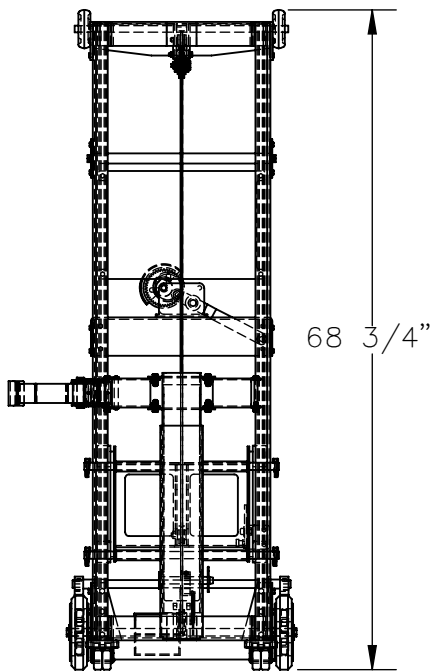
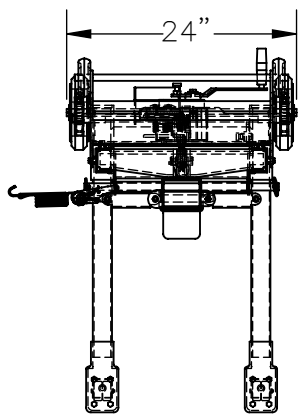


# HEATER TANK LIFT TRUCK - A-LIFT-HTL-27-300-44

\*\*\*ANY ADDITIONS, DELETIONS, OR OMISSIONS MUST BE CORRECTED ON THIS DRAWING AS THIS DRAWING WILL BE CONSIDERED ALL INCLUSIVE\*\*\*



\*\*\*ANY ADDITIONS, DELETIONS, OR OMISSIONS MUST BE CORRECTED ON THIS DRAWING AS THIS DRAWING WILL BE CONSIDERED ALL INCLUSIVE\*\*\*  
 ALL GRAPHICS PROVIDED ARE FOR REFERENCE ONLY. IF CERTAIN DIMENSIONS ARE CRITICAL PLEASE VERIFY THOSE DIMENSIONS WITH YOUR SALESPERSON

DIMENSION TOLERANCE  $\pm 1/2"$

FOR INTERNAL USE ONLY PROJECT SIGN OFF	
SALES	
ENG.	
FAB.	
POWER	

## STANDARD FEATURES

- MODEL NUMBER IS A-LIFT-HTL-27-300-44
- DURABLE STEEL & ALUMINUM CONSTRUCTION
- CAPACITY IS: 300 LBS.
- OVERALL WIDTH IS: 24"
- OVERALL LENGTH IS: 35 1/8"
- OVERALL HEIGHT IS: 68 3/4"
- MAX DIAMETER OF TANK IS: 27" (NOT SHOWN)
- TANK LOWERED HEIGHT IS: 3 1/4"
- TANK MAX RAISED HEIGHT : 44"
- QTY (1) RATCHET STRAP INCLUDED TO SECURE HEATER TANK TO LIFT ATTACHMENT
- HEATER TANK ATTACHMENT IS TOUGH BAKED IN POWDER COAT YELLOW FINISH APPROXIMATE WEIGHT IS 136 LBS

## SPECIAL FEATURES

- NONE

<b>A P P R O V A L</b>	I, THE UNDERSIGNED, AGREE THAT THE PRODUCT AS REPRESENTED SATISFIES DESIGN AND DIMENSION REQUIREMENTS. I ALSO ACKNOWLEDGE MY DUTY TO CONFIRM PRODUCT AND INSTALLATION COMPLIANCE WITH ALL APPLICABLE FEDERAL, STATE AND LOCAL REGULATIONS AND STANDARDS.	
	<b>UNITS REQUIRING APPROVAL DRAWINGS OR MODIFIED ARE NON-RETURNABLE</b>	
	[ ] As drawn [ ] As marked	
Signed: _____		Date: _____
Printed Name: _____		
<i>LEAD TIME WILL START UPON RECEIPT OF SIGNED APPROVAL DRAWING</i>		

DISTRIBUTOR'S NAME:		P.O.#
<b>VESTIL MANUFACTURING</b>		X
		W.O.#
DRAWN BY: JGP		X
DATE: 7/8/2020		SALES: X
REFERENCE: X	SCALE: 1:20	FILE NAME:
QUOTED LEAD TIME: X	QUOTE # X	21-007-153