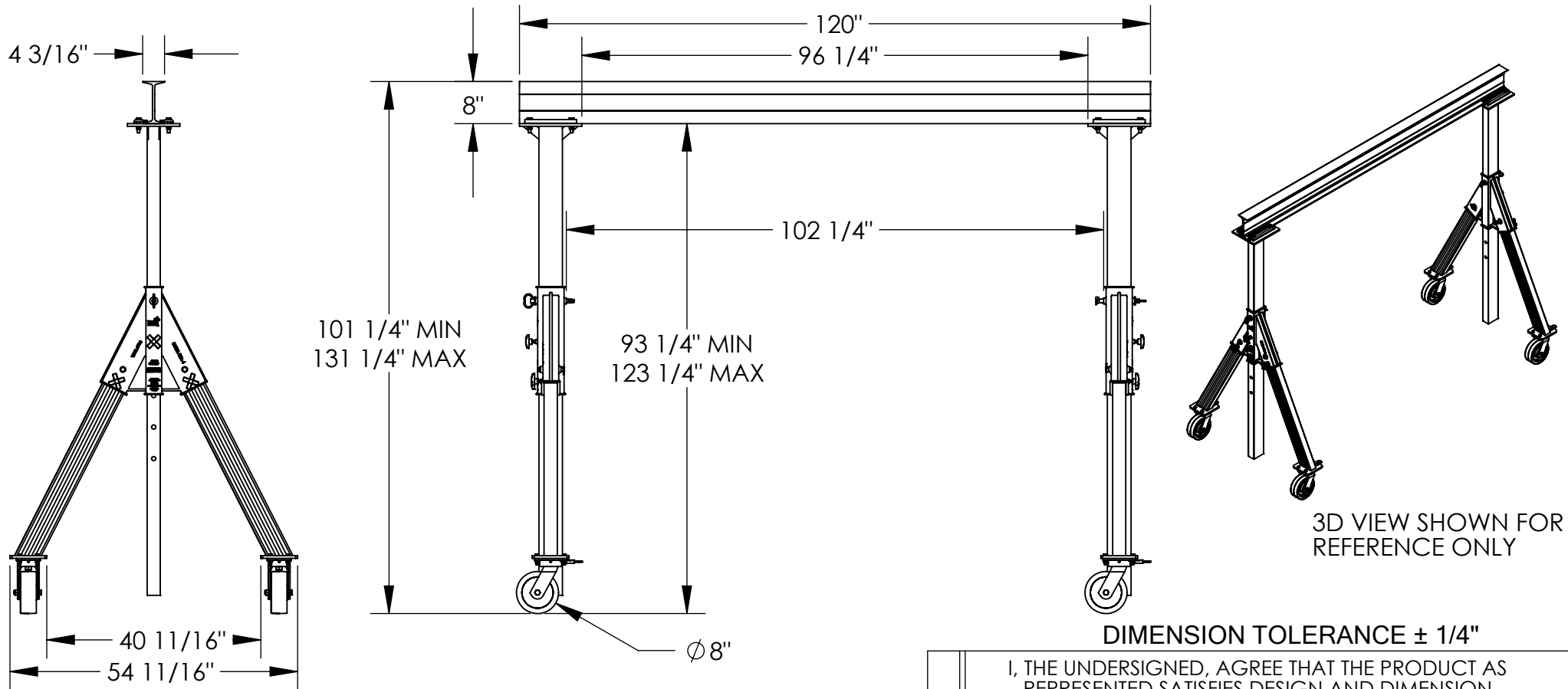


ADJUSTABLE ALUMINUM GANTRY CRANE - AHA-4-10-10

APPROX WEIGHT: 348 lbs.
DOES NOT INCLUDE WEIGHT OF POWER OR PACKAGING!!!

*** ANY ADDITIONS, DELETIONS, OR OMISSIONS MUST BE CORRECTED ON THIS DRAWING AS THIS DRAWING WILL BE CONSIDERED ALL INCLUSIVE ***

ALL GRAPHICS PROVIDED ARE FOR REFERENCE ONLY. IF CERTAIN DIMENSIONS ARE CRITICAL PLEASE VERIFY THOSE DIMENSIONS WITH YOUR SALESPERSON



3D VIEW SHOWN FOR REFERENCE ONLY

DIMENSION TOLERANCE $\pm 1/4"$

STANDARD FEATURES

MODEL NUMBER IS AHA-4-10-10
CAPACITY IS 4,000 LBS.
BASE WIDTH IS 54 11/16"
MAX OVERALL HEIGHT IS 131 1/4"
I-BEAM HEIGHT IS 8"
I-BEAM WIDTH IS 4 3/16"
OVERALL I-BEAM LENGTH IS 120"
USABLE I-BEAM LENGTH IS 96 1/4"
ADJUSTABLE UNDER I-BEAM HEIGHT
93 1/4" MIN
123 1/4" MAX
HEIGHT IS ADJUSTABLE IN 6" INCREMENTS
CASTERS: (4) $\phi 8"$ X 3" WIDE PHENOLIC
SWIVEL CASTERS WITH FOUR
LOCKING POSITIONS
CRANE MAY BE TAKEN APART AND BUNDLED WITH
(2) INCLUDED STRAPS FOR EASY TRANSPORT
ALUMINUM CONSTRUCTION

SPECIAL FEATURES

NONE

APPROVAL

I, THE UNDERSIGNED, AGREE THAT THE PRODUCT AS REPRESENTED SATISFIES DESIGN AND DIMENSION REQUIREMENTS. I ALSO ACKNOWLEDGE MY DUTY TO CONFIRM PRODUCT AND INSTALLATION COMPLIANCE WITH ALL APPLICABLE FEDERAL, STATE AND LOCAL REGULATIONS, AND STANDARDS.
UNITS REQUIRING APPROVAL DRAWINGS OR MODIFIED ARE NON-RETURNABLE
[] As drawn [] As marked

Signed: _____ Date: _____

Printed Name: _____

LEAD TIME WILL START UPON RECEIPT OF SIGNED APPROVAL DRAWING

DISTRIBUTOR'S NAME:		P.O.#
VESTIL MANUFACTURING		X
DRAWN BY: ND		W.O.#
DATE: 03/25/11		X
REFERENCE: X	SCALE: 1:28	SALES: X
QUOTED LEAD TIME: X	QUOTE #	FILE NAME:
	X	28-007-222