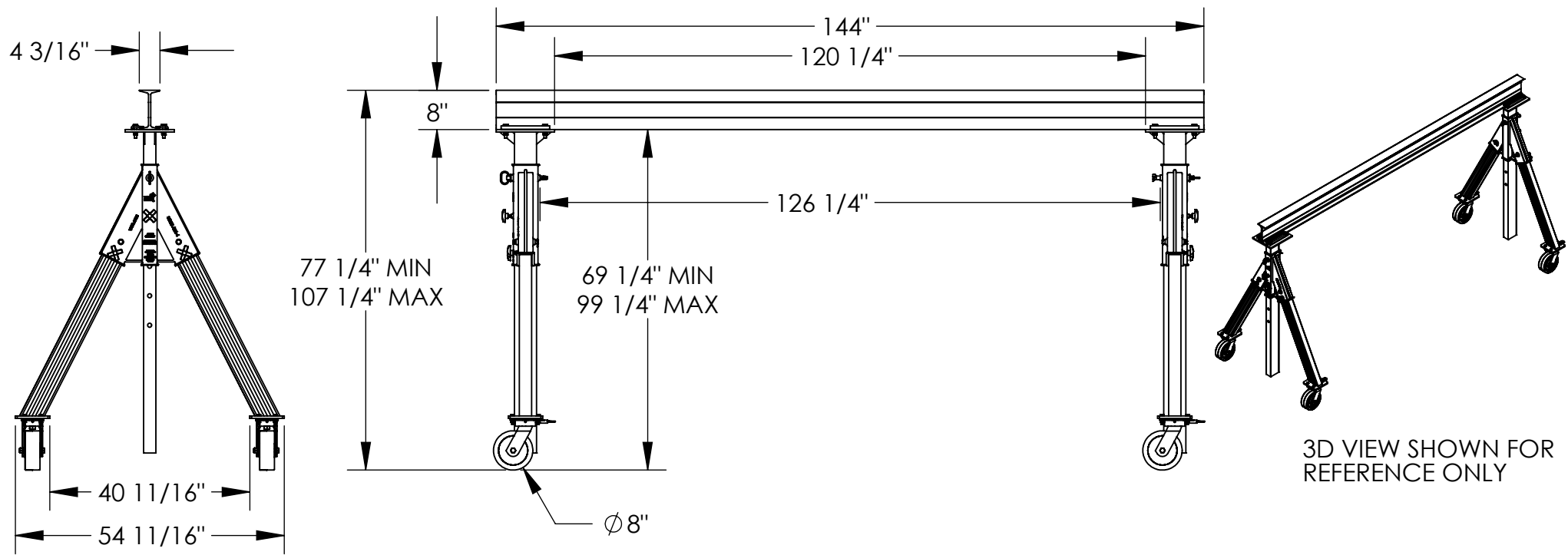


ADJUSTABLE ALUMINUM GANTRY CRANE - AHA-4-12-8

APPROX WEIGHT: 353 lbs.
 DOES NOT INCLUDE WEIGHT OF POWER OR PACKAGING!!!

*** ANY ADDITIONS, DELETIONS, OR OMISSIONS MUST BE CORRECTED ON THIS DRAWING AS THIS DRAWING WILL BE CONSIDERED ALL INCLUSIVE ***

ALL GRAPHICS PROVIDED ARE FOR REFERENCE ONLY. IF CERTAIN DIMENSIONS ARE CRITICAL PLEASE VERIFY THOSE DIMENSIONS WITH YOUR SALESPERSON



3D VIEW SHOWN FOR REFERENCE ONLY

STANDARD FEATURES

MODEL NUMBER IS AHA-4-12-8
 CAPACITY IS 4,000 LBS.
 BASE WIDTH IS 54 11/16"
 MAX OVERALL HEIGHT IS 107 1/4"
 I-BEAM HEIGHT IS 8"
 I-BEAM FLANGE WIDTH IS 4 3/16"
 OVERALL I-BEAM LENGTH IS 144"
 USABLE I-BEAM LENGTH IS 120 1/4"
 ADJUSTABLE UNDER I-BEAM HEIGHT
 69 1/4" MIN
 99 1/4" MAX
 HEIGHT IS ADJUSTABLE IN 6" INCREMENTS
 CASTERS: (4) Ø8" X 3" WIDE PHENOLIC
 SWIVEL CASTERS WITH FOUR
 LOCKING POSITIONS
 CRANE MAY BE TAKEN APART AND BUNDLED WITH
 (2) INCLUDED STRAPS FOR EASY TRANSPORT
 ALUMINUM CONSTRUCTION

SPECIAL FEATURES

NONE

DIMENSION TOLERANCE ± 1/4"

APPROVAL	I, THE UNDERSIGNED, AGREE THAT THE PRODUCT AS REPRESENTED SATISFIES DESIGN AND DIMENSION REQUIREMENTS. I ALSO ACKNOWLEDGE MY DUTY TO CONFIRM PRODUCT AND INSTALLATION COMPLIANCE WITH ALL APPLICABLE FEDERAL, STATE AND LOCAL REGULATIONS AND STANDARDS.	
	UNITS REQUIRING APPROVAL DRAWINGS OR MODIFIED ARE NON-RETURNABLE	
	<input type="checkbox"/> As drawn	<input type="checkbox"/> As marked
	Signed: _____	Date: _____
	Printed Name: _____	
LEAD TIME WILL START UPON RECEIPT OF SIGNED APPROVAL DRAWING		

DISTRIBUTOR'S NAME:		P.O.#
VESTIL MANUFACTURING		X
DRAWN BY: ND		DATE: 03/25/11
REFERENCE: X		SALES: X
QUOTED LEAD TIME: X		SCALE: 1:30
QUOTE # X		FILE NAME: 28-007-228