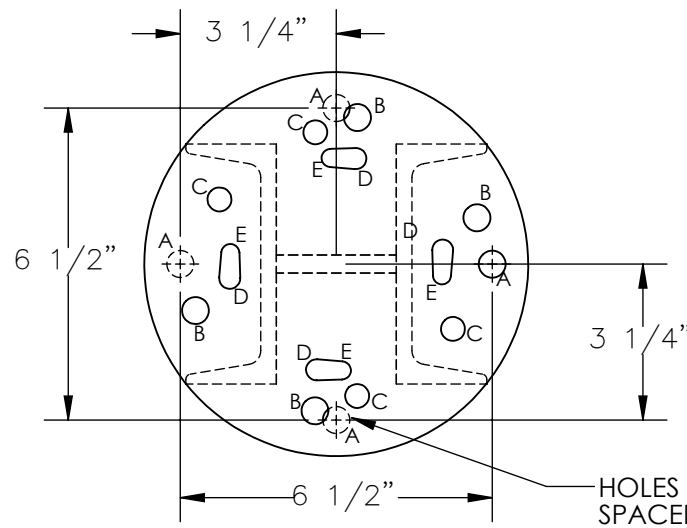


STATIONARY LEGS REPLACEMENT - AHA-STLO-RF

APPROX WEIGHT: 26.56 lbs.
DOES NOT INCLUDE WEIGHT OF POWER OR PACKAGING!!!

*** ANY ADDITIONS, DELETIONS, OR OMISSIONS MUST BE CORRECTED ON THIS DRAWING AS THIS DRAWING WILL BE CONSIDERED ALL INCLUSIVE ***

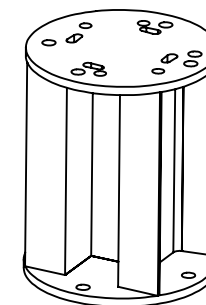
ALL GRAPHICS PROVIDED ARE FOR REFERENCE ONLY. IF CERTAIN DIMENSIONS ARE CRITICAL PLEASE VERIFY THOSE DIMENSIONS WITH YOUR SALESPERSON



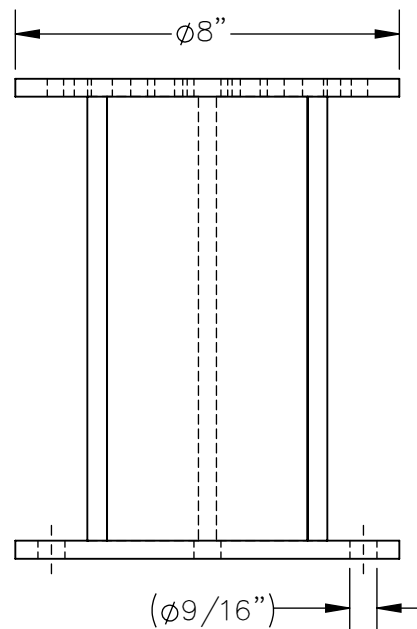
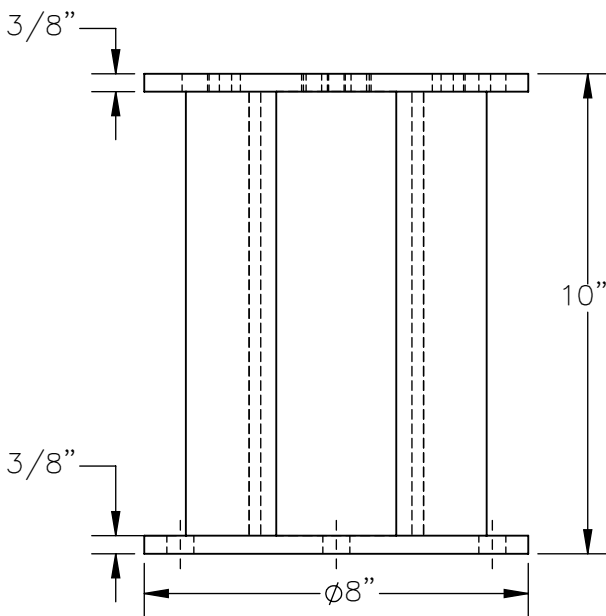
HOLE CHART *

- A = HOLES IN BASE ARE (4) ϕ 9/16 - (BASE HARDWARE NOT INCLUDED)
- B = HOLES FOR AHS-8/AHA-6 ARE (4) ϕ 9/16 --- 28-154-049
- C = HOLES FOR AHS-6 ARE (4) ϕ 1/2 ----- 28-154-050 MOUNTING HARWARE KIT NEEDED
- D = HOLES FOR AHA-2/-4 ARE (4) ϕ 7/16 ----- 28-154-051 FOR GANTRY MODEL LISTED
- E = HOLES FOR AHS-2/-4 ARE (4) ϕ 3/8 ----- 28-154-052

* = THE AHA-STLO-RF STATIONARY LEG HAS HOLES FOR ALL MODELS OF GANTRY CRANES, USE THE HOLES LISTED FOR THE MODEL OF CRANE BEING USED.



3-D VIEW FOR REFERENCE



(4) WELDMENTS AND (4) MOUNTING HARDWARE KITS ARE REQUIRED FOR THE BOLT DOWN OPTION FOR A GANTRY CRANE.

DIMENSION TOLERANCE \pm 1/4"

STANDARD FEATURES

- MODEL NUMBER IS AHA-STLO-RF
- OVERALL WIDTH IS 8"
- OVERALL LENGTH IS 8"
- OVERALL HEIGHT IS 10"
- STATIONARY LEGS ARE WELDED STEEL CONSTRUCTION

SPECIAL FEATURES

NONE

APPROVAL

I, THE UNDERSIGNED, AGREE THAT THE PRODUCT AS REPRESENTED SATISFIES DESIGN AND DIMENSION REQUIREMENTS. I ALSO ACKNOWLEDGE MY DUTY TO CONFIRM PRODUCT AND INSTALLATION COMPLIANCE WITH ALL APPLICABLE FEDERAL, STATE AND LOCAL REGULATIONS AND STANDARDS.

ANY MODIFIED UNITS ARE NON-RETURNABLE

[] As drawn [] As marked

Signed: _____ Date: _____

Printed Name: _____

LEAD TIME WILL START UPON RECEIPT OF SIGNED APPROVAL DRAWING

FOR INTERNAL USE ONLY PROJECT SIGN OFF	
SALES	
ENG.	
FAB.	
POWER	

DISTRIBUTOR'S NAME:		P.O.#
VESTIL MANUFACTURING		X
W.O.#		X
DRAWN BY: MTS	DATE: 03/31/2017	SALES: X
REFERENCE: X	SCALE: 1:4	FILE NAME:
QUOTED LEAD TIME: X	QUOTE # X	28-007-415-002