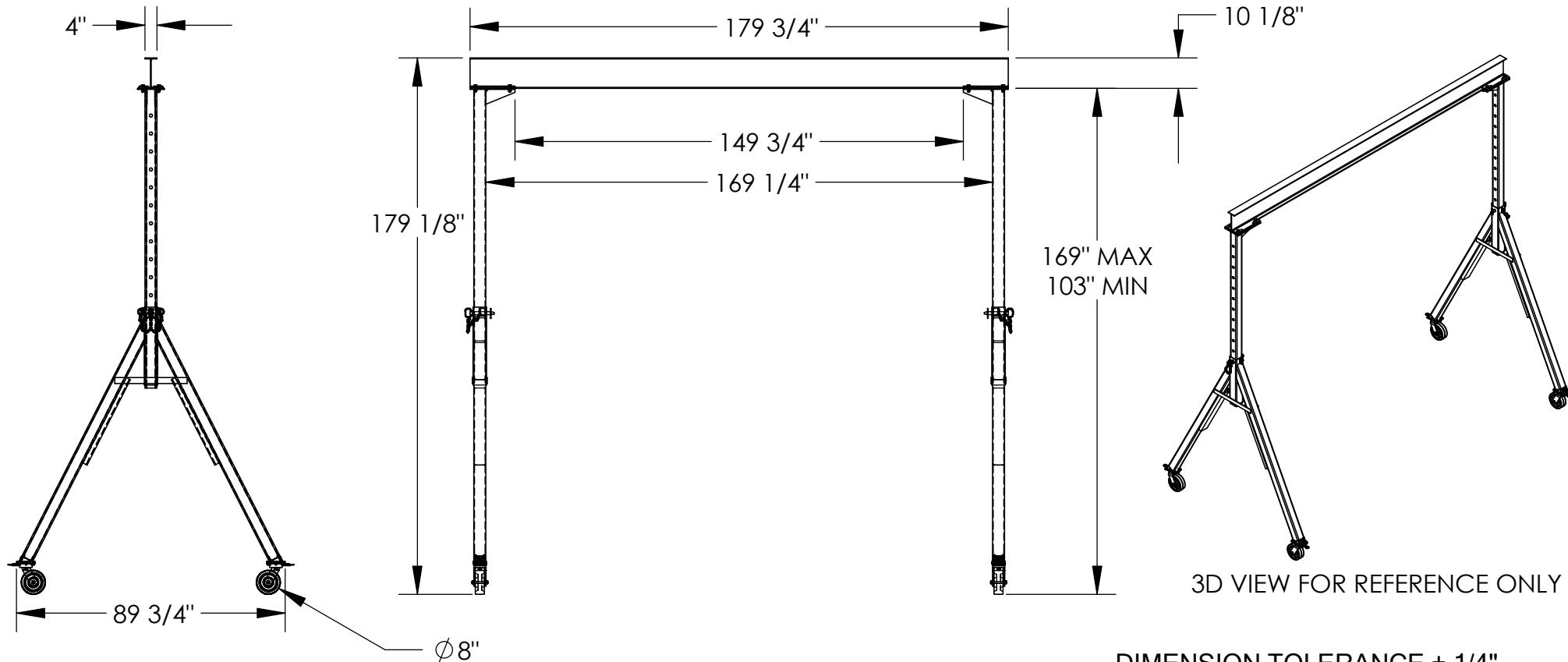


# ADJUSTABLE STEEL GANTRY CRANE - AHS-6-15-14

APPROX WEIGHT: 1065.07 lbs.  
DOES NOT INCLUDE WEIGHT OF POWER OR PACKAGING!!!

\*\*\* ANY ADDITIONS, DELETIONS, OR OMISSIONS MUST BE CORRECTED ON THIS DRAWING AS THIS DRAWING WILL BE CONSIDERED ALL INCLUSIVE \*\*\*

ALL GRAPHICS PROVIDED ARE FOR REFERENCE ONLY. IF CERTAIN DIMENSIONS ARE CRITICAL PLEASE VERIFY THOSE DIMENSIONS WITH YOUR SALESPERSON



**DIMENSION TOLERANCE  $\pm 1/4"$**

I, THE UNDERSIGNED, AGREE THAT THE PRODUCT AS REPRESENTED SATISFIES DESIGN AND DIMENSION REQUIREMENTS. I ALSO ACKNOWLEDGE MY DUTY TO CONFIRM PRODUCT AND INSTALLATION COMPLIANCE WITH ALL APPLICABLE FEDERAL, STATE AND LOCAL REGULATIONS AND STANDARDS.

**ANY MODIFIED UNITS ARE NON-RETURNABLE**

[ ] As drawn [ ] As marked

Signed: \_\_\_\_\_ Date: \_\_\_\_\_

Printed Name: \_\_\_\_\_

LEAD TIME WILL START UPON RECEIPT OF SIGNED APPROVAL DRAWING

**APPROVAL**

## SPECIAL FEATURES

NONE

## STANDARD FEATURES

MODEL NUMBER IS AHS-6-15-14

CAPACITY IS 6,000 LBS.

BASE WIDTH IS 89 3/4"

MAX OVERALL HEIGHT IS 179 1/8"

I-BEAM HEIGHT IS 10 1/8"

I-BEAM FLANGE WIDTH IS 4"

OVERALL I-BEAM LENGTH IS 179 3/4"

USABLE I-BEAM LENGTH IS 149 3/4"

ADJUSTABLE UNDER I-BEAM HEIGHT

169" MAX

103" MIN

HEIGHT IS ADJUSTABLE IN 6" INCREMENTS

CASTERS: (4)  $\phi 8"$  X 3" WIDE PHENOLIC

SWIVEL CASTERS WITH FOUR

LOCKING POSITIONS

FOR INTERNAL USE ONLY  
PROJECT SIGN OFF

SALES	
ENG.	
FAB.	
POWER	

DISTRIBUTOR'S NAME:

**VESTIL MANUFACTURING**

P.O.# X

W.O.# X

DRAWN BY: ND

DATE: 10/01/09

SALES: X

REFERENCE: X

SCALE: 1:50

FILE NAME:

QUOTED LEAD TIME: X

QUOTE # X

28-007-083