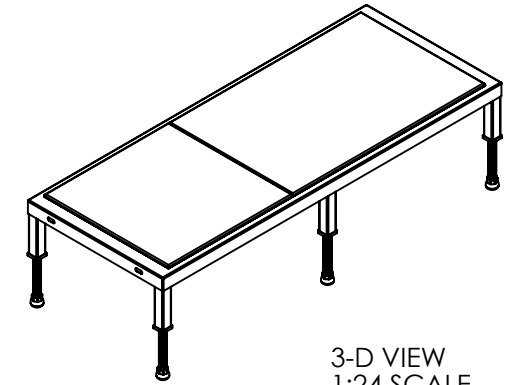
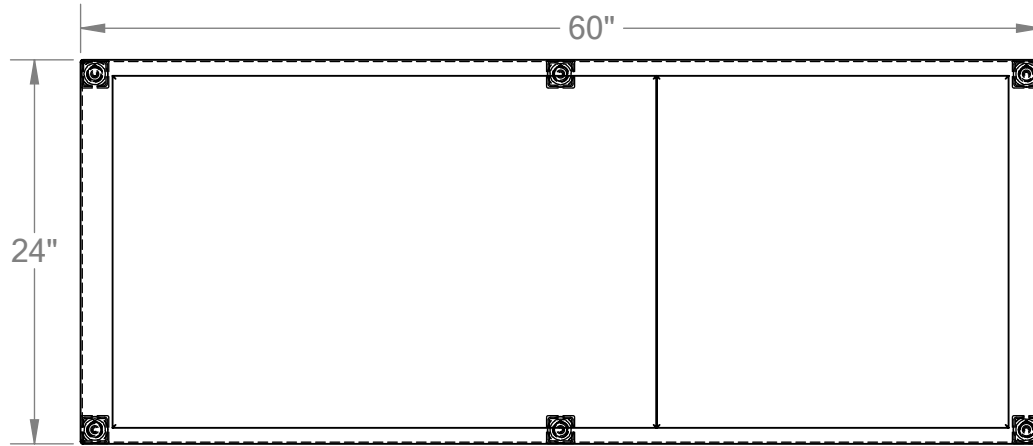


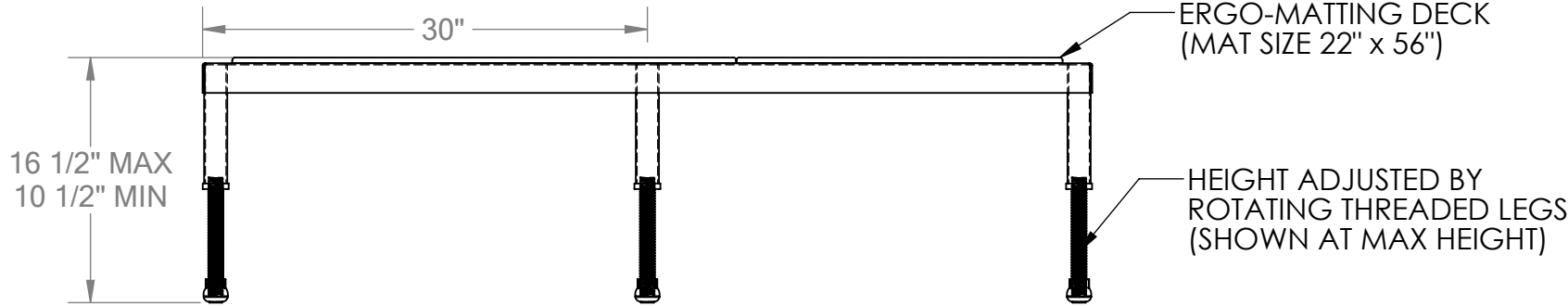
ADJ WORK-MATE STAND - MODEL: AHT-H-2460

APPROX WEIGHT: 88.61 lbs.
 DOES NOT INCLUDE WEIGHT OF POWER OR PACKAGING!!!

*** ANY ADDITIONS, DELETIONS, OR OMISSIONS MUST BE CORRECTED ON THIS DRAWING AS THIS DRAWING WILL BE CONSIDERED ALL INCLUSIVE ***
 ALL GRAPHICS PROVIDED ARE FOR REFERENCE ONLY. IF CERTAIN DIMENSIONS ARE CRITICAL PLEASE VERIFY THOSE DIMENSIONS WITH YOUR SALESPERSON



3-D VIEW
 1:24 SCALE



DIMENSION TOLERANCE $\pm 1/4$ "

I, THE UNDERSIGNED, AGREE THAT THE PRODUCT AS REPRESENTED SATISFIES DESIGN AND DIMENSION REQUIREMENTS. I ALSO ACKNOWLEDGE MY DUTY TO CONFIRM PRODUCT AND INSTALLATION COMPLIANCE WITH ALL APPLICABLE FEDERAL, STATE AND LOCAL REGULATIONS AND STANDARDS.

ANY MODIFIED UNITS ARE NON-RETURNABLE

As drawn As marked

Signed: _____ Date: _____

Printed Name: _____

LEAD TIME WILL START UPON RECEIPT OF SIGNED APPROVAL DRAWING

APPROVAL

DISTRIBUTOR'S NAME: _____ P.O.# _____

VESTIL MANUFACTURING

W.O.# _____

DRAWN BY: MTS

DATE: 12/27/13

SALES: X

REFERENCE: X

SCALE: 1:12

FILE NAME:

QUOTED LEAD TIME: X

QUOTE # X

14-007-211

FOR INTERNAL USE ONLY
 PROJECT SIGN OFF

SALES	
ENG.	
FAB.	
POWER	

STANDARD FEATURES

- MODEL NUMBER : AHT-H-2460
- CAPACITY: 500 LBS.
- DECK WIDTH: 24"
- DECK LENGTH: 60"
- RAISED HEIGHT: 16 1/2"
- LOWERED HEIGHT: 10 1/2"
- ALL STEEL CONSTRUCTION
 (ASTM A-36 MIN.)
 WITH WELDING TO MEET AWS.
- ERGO MATting IS BLUE
- TOUGH BAKED IN POWDER
 COATED YELLOW FINISH

SPECIAL FEATURES

NONE