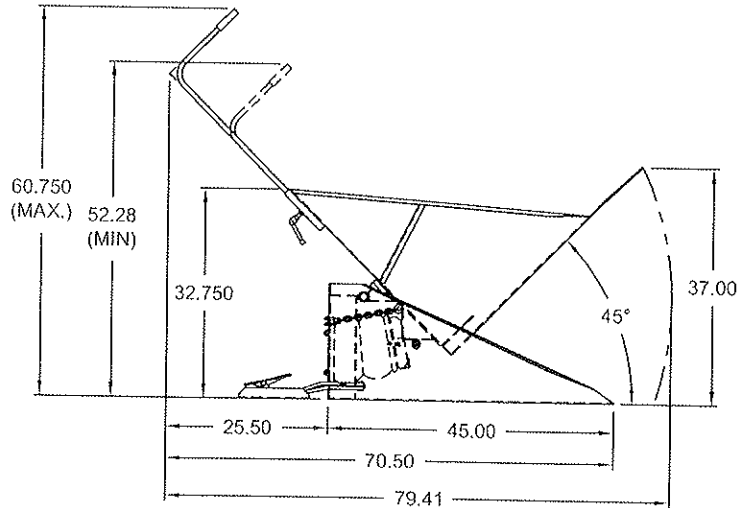
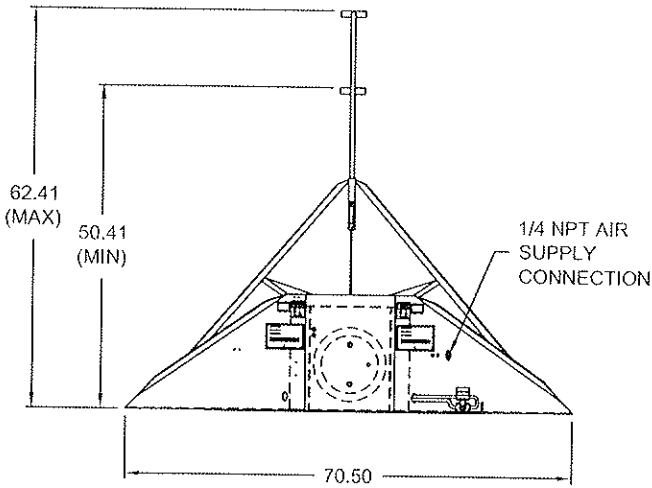
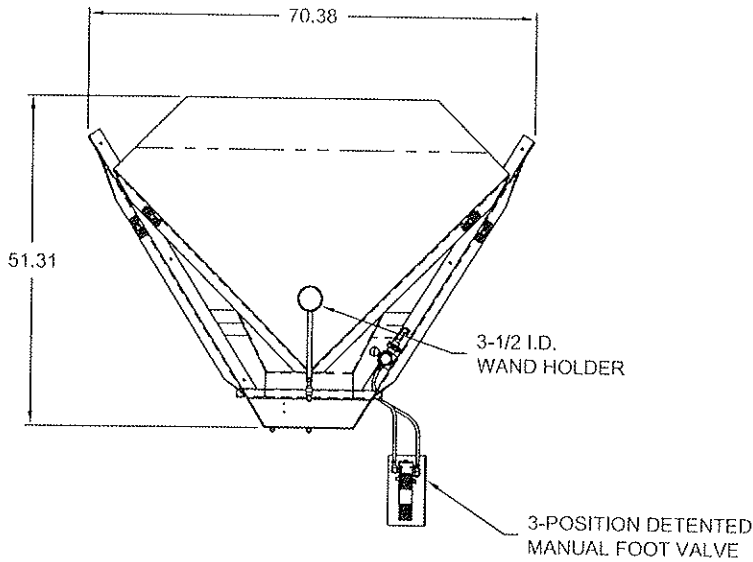


**SPECIAL UNITS ARE NON-RETURNABLE
 *AVAILABLE AT ADDITIONAL COSTS

AIR CORNER TILTER, AIR-TFP

LEAD TIME WILL START UPON
 RECEIPT OF SIGNED APPROVAL
 DRAWING



STANDARD FEATURES

MODEL NUMBER: AIR-TFP
 CAPACITY: 1,500 LBS.
 PLATFORM WIDTH: 44"
 PLATFORM LENGTH: 44"
 MANUAL FOOT VALVE OPERATION

SPECIAL FEATURES

NONE

APPROVAL

I, the undersigned, hereby approve this print
 As drawn As marked
 This includes my approval of design & dimensions.
 Signed: _____
 Date: _____

DISTRIBUTOR'S NAME:		P.O.#: _
VESTIL MANUFACTURING		V.O.#: _
DRAWN BY: SR	DATE: 5-1-08	SALES: STACY S.
REFERENCE:		DRWG./FILE NAME:
-	SCALE: N/A	AIR-SSM-AP