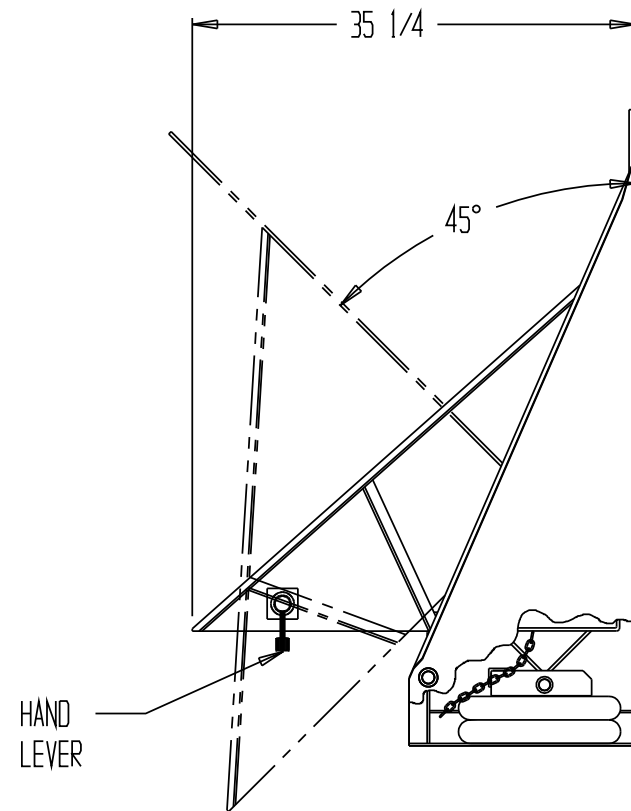
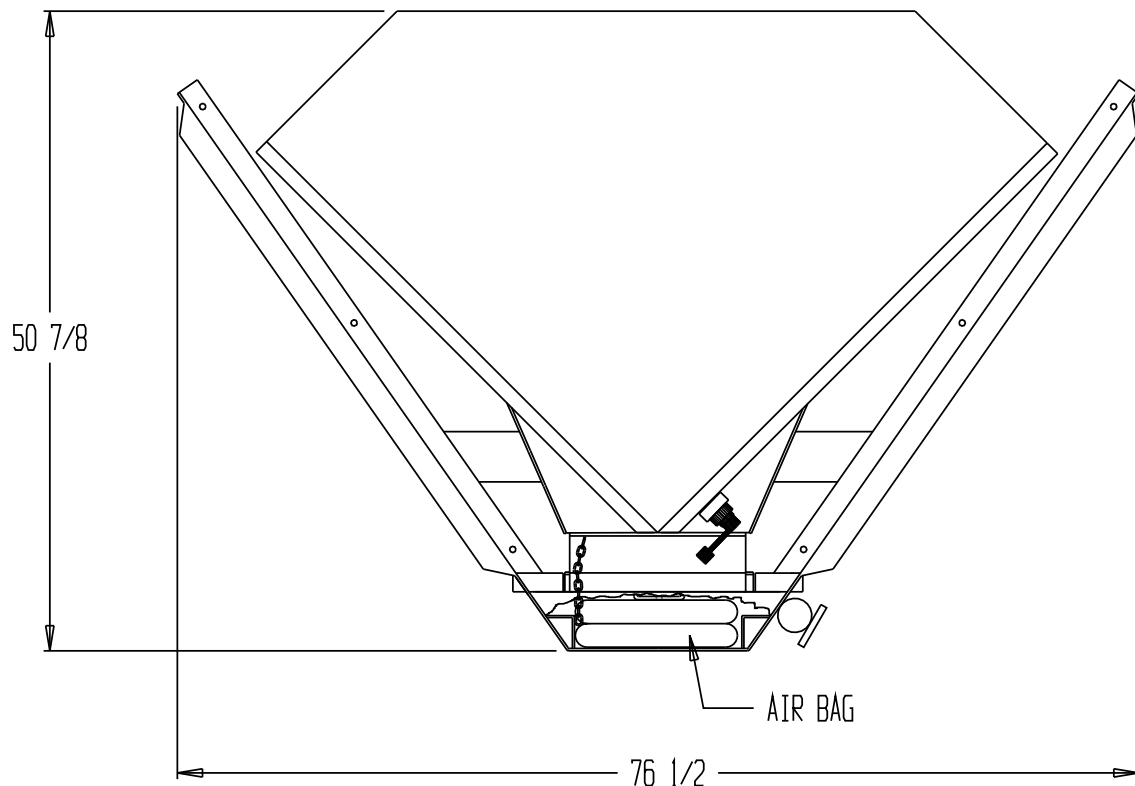


AIR CORNER TILTER, AIR-THL



STANDARD FEATURES

MODEL NUMBER: AIR-THL
 CAPACITY: 1,500 LBS.
 PLATFORM SIZE: 44" X 44"
 OVERALL WIDTH: 78 1/2"
 OVERALL LENGTH: 50 7/8"
 OVERALL HEIGHT: 35 1/4"
 MAX TILT ANGLE: 45°
 OPERATION METHOD: HAND LEVER

SPECIAL FEATURES

NONE

**SPECIAL UNITS ARE NON-RETURNABLE
 *AVAILABLE AT ADDITIONAL COSTS

FOR INTERNAL USE ONLY PROJECT SIGN OFF	
SALES	
ENG	
FAB.	
POWER	

APPROVAL	I, THE UNDERSIGNED, AGREE THAT THE PRODUCT AS REPRESENTED SATISFIES DESIGN & DIMENSION REQUIREMENTS. I ALSO ACKNOWLEDGE MY DUTY TO CONFIRM PRODUCT & INSTALLATION COMPLIANCE WITH ALL APPLICABLE FEDERAL, STATE AND LOCAL REGULATIONS & STANDARDS.	
	ALL SPECIAL UNITS ARE NON-RETURNABLE	
	[] As drawn	[] As marked
	Signed: _____	Date: _____
LEAD TIME WILL START UPON RECEIPT OF SIGNED APPROVAL DRAWING		

DISTRIBUTOR'S NAME: VESTIL MFG		P.O.#: _
DRAWN BY: _____		W.O.#: _
DATE: _	SCALE: _	SALES: _
REFERENCE: _	SCALE: _	DRWG./FILE NAME: _
QUOTED LEADTIME: _	QUOTE #: _	-