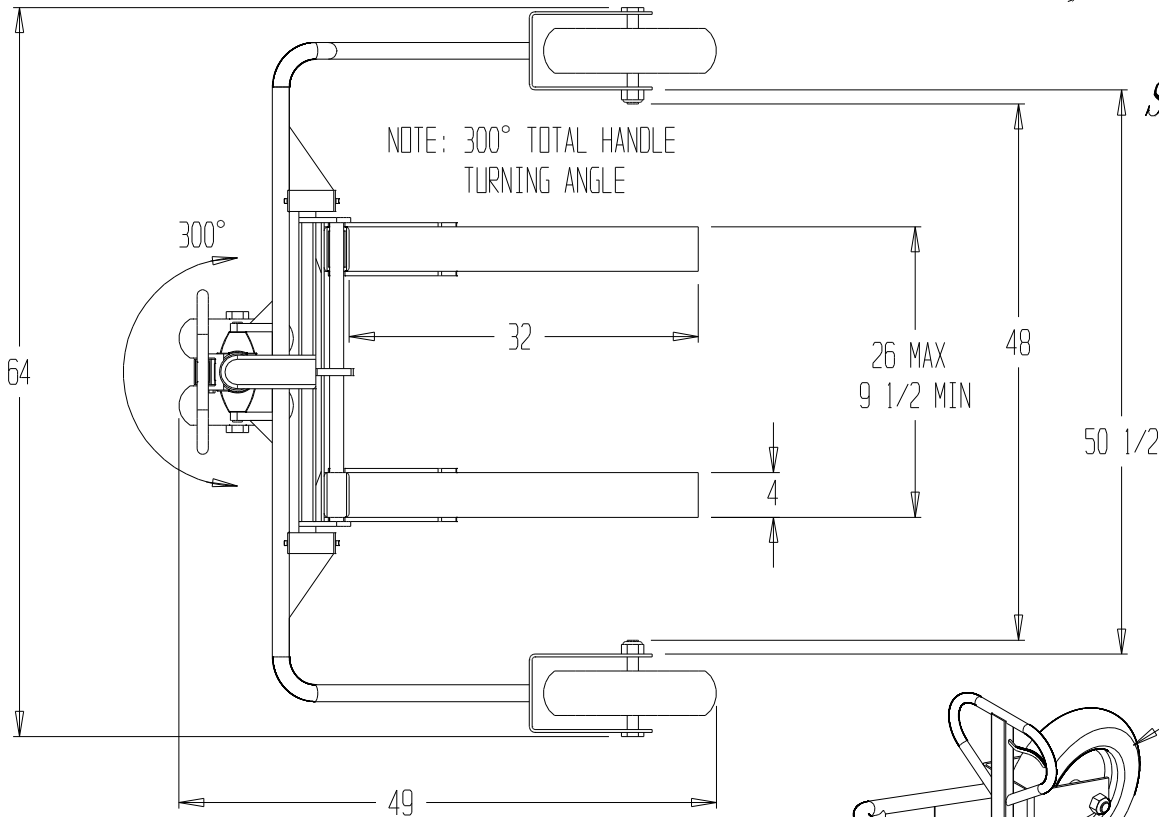


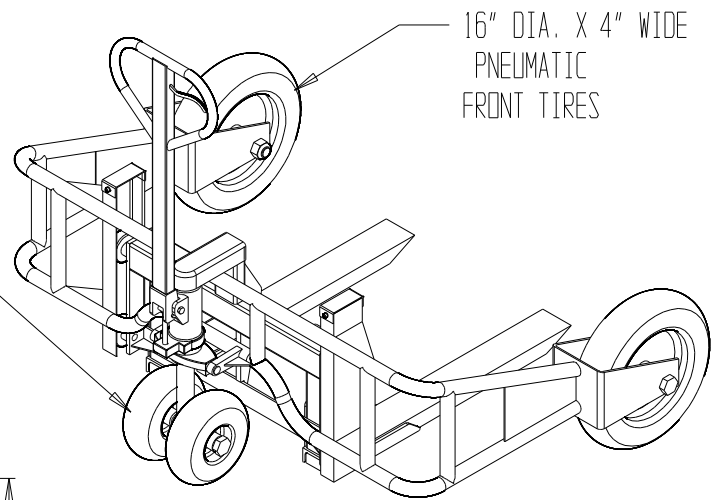
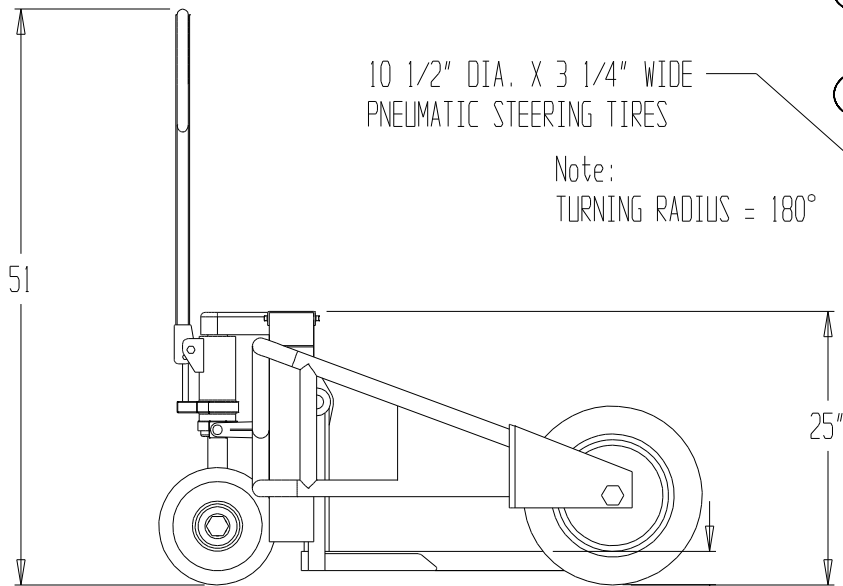
# ALL TERRAIN PALLET TRUCK, ALL-T-2



## SPECIAL FEATURES

NONE

DIMENSION TOLERANCE +/- 1/2"



3-D REFERENCE  
SCALE 1:20

\*\*SPECIAL UNITS ARE NON-RETURNABLE  
\*AVAILABLE AT ADDITIONAL COSTS

All graphics provided are for reference only.  
If certain dimensions are critical please verify those dimensions with your salesperson

## STANDARD FEATURES

MODEL NUMBER: ALL-T-2

CAPACITY: 2,000 LB. AT 12" HORIZONTAL LOAD CENTER  
1,500 LB. AT 15" HORIZONTAL LOAD CENTER  
1,000 LB. AT 24" HORIZONTAL LOAD CENTER  
(FOR USE WITH 48" LG PALLET)

OVERALL WIDTH: 64"  
OVERALL LENGTH: 49"  
OVERALL HEIGHT: 51"  
OVERALL FORK WIDTH: 9 1/2" TO 26"  
FORK LENGTH: 32"  
FORK LOWERED HEIGHT: 3 1/8"  
FORK RAISED HEIGHT: 9"  
INDIVIDUAL FORK WIDTH: 4"  
STRADDLE I.D.: 50 1/2"

APPROVAL	I, THE UNDERSIGNED, AGREE THAT THE PRODUCT AS REPRESENTED SATISFIES DESIGN & DIMENSION REQUIREMENTS. I ALSO ACKNOWLEDGE MY DUTY TO CONFIRM PRODUCT & INSTALLATION COMPLIANCE WITH ALL APPLICABLE FEDERAL, STATE AND LOCAL REGULATIONS & STANDARDS.	
	<b>UNITS REQUIRING APPROVAL DRAWINGS OR MODIFIED ARE NON-RETURNABLE</b>	
	[ ] As drawn [ ] As marked	
	Signed: _____	Date: _____
Printed Name _____		
LEAD TIME WILL START UPON RECEIPT OF SIGNED APPROVAL DRAWING		

DISTRIBUTOR'S NAME: <b>VESTIL MANUFACTURING</b>		P. O. #: -
DRAWN BY: S. ROSE		DATE: 6-1-04
REFERENCE: -	SCALE: -	SALES: -
QUOTED LEADTIME: -	QUOTE #: -	DRWG./FILE NAME: ALL-T-2