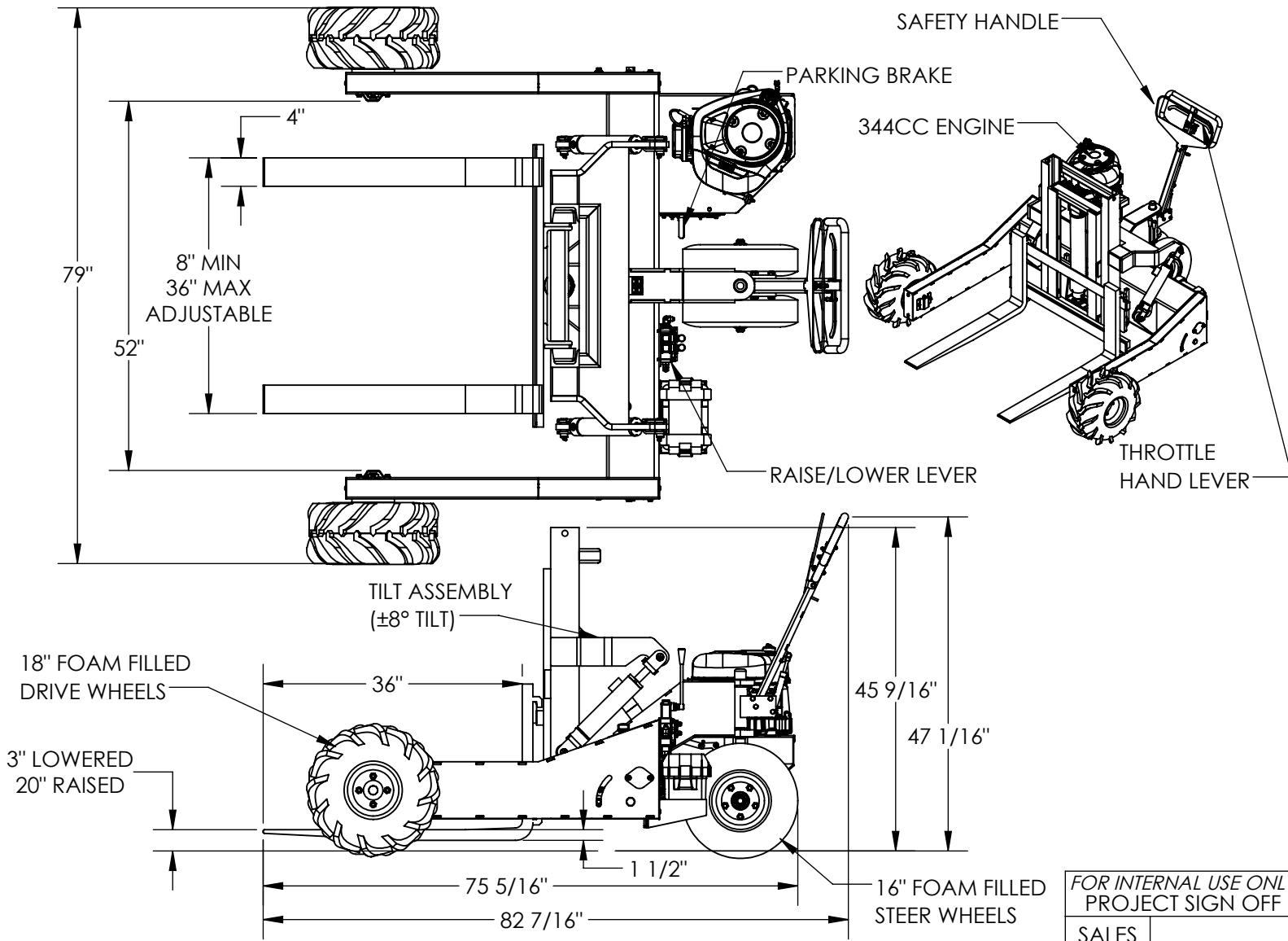


# GAS POWERED ALL TERRAIN PALLET TRUCK - ALL-T-4-GPT-PT-HD

\*\*\*ANY ADDITIONS, DELETIONS, OR OMISSIONS MUST BE CORRECTED ON THIS DRAWING AS THIS DRAWING WILL BE CONSIDERED ALL INCLUSIVE\*\*\*  
 APPROX WEIGHT: 1404 lbs.  
 DOES NOT INCLUDE WEIGHT OF POWER OR PACKAGING!!!



ALL GRAPHICS PROVIDED ARE FOR REFERENCE ONLY. IF CERTAIN DIMENSIONS ARE CRITICAL PLEASE VERIFY THOSE DIMENSIONS WITH YOUR SALESPERSON  
 DIMENSION TOLERANCE ± 1"

FOR INTERNAL USE ONLY  
 PROJECT SIGN OFF

SALES	
ENG.	
FAB.	
POWER	

**STANDARD FEATURES**  
 MODEL NUMBER IS ALL-T-4-GPT-PT-HD  
 CAPACITY IS 4,000 LBS  
 OVERALL WIDTH IS 79"  
 STRADDLE WIDTH IS 52"  
 SERVICE RANGE IS 3" TO 20"  
 FORKS ARE ADJUSTABLE FROM 8" TO 36"  
 FORKS ARE 1 1/2" THICK X 4" WIDE X 36" LONG  
 OVERALL LENGTH IS 82 7/16"  
 OVERALL HEIGHT IS 47 1/16"  
 18" FOAM FILLED FRONT WHEELS  
 SAFETY HANDLE WITH FORWARD/NEUTRAL/REVERSE  
 ±8° POWER TILT FOR FORKS  
 344CC BRIGGS AND STRATTON ENGINE WITH ELECTRIC START  
 HAND LEVER TO CONTROL LIFT/LOWER  
 DURABLE LIQUID PAINT BLUE FINISH

**A P P R O V A L**

I, THE UNDERSIGNED, AGREE THAT THE PRODUCT AS REPRESENTED SATISFIES DESIGN AND DIMENSION REQUIREMENTS. I ALSO ACKNOWLEDGE MY DUTY TO CONFIRM PRODUCT AND INSTALLATION COMPLIANCE WITH ALL APPLICABLE FEDERAL, STATE AND LOCAL REGULATIONS AND STANDARDS.  
**UNITS REQUIRING APPROVAL DRAWINGS OR MODIFIED ARE NON-RETURNABLE**  
 As drawn     As marked

Signed: \_\_\_\_\_ Date: \_\_\_\_\_  
 Printed Name: \_\_\_\_\_

LEAD TIME WILL START UPON RECEIPT OF SIGNED APPROVAL DRAWING

DISTRIBUTOR'S NAME:		P.O.#	
VESTIL MANUFACTURING		X	
DRAWN BY: KGH		DATE: 6/27/2018	SALES: X
REFERENCE: X	SCALE: 1:22	FILE NAME:	
QUOTED LEAD TIME: X	QUOTE # X	50-007-027	