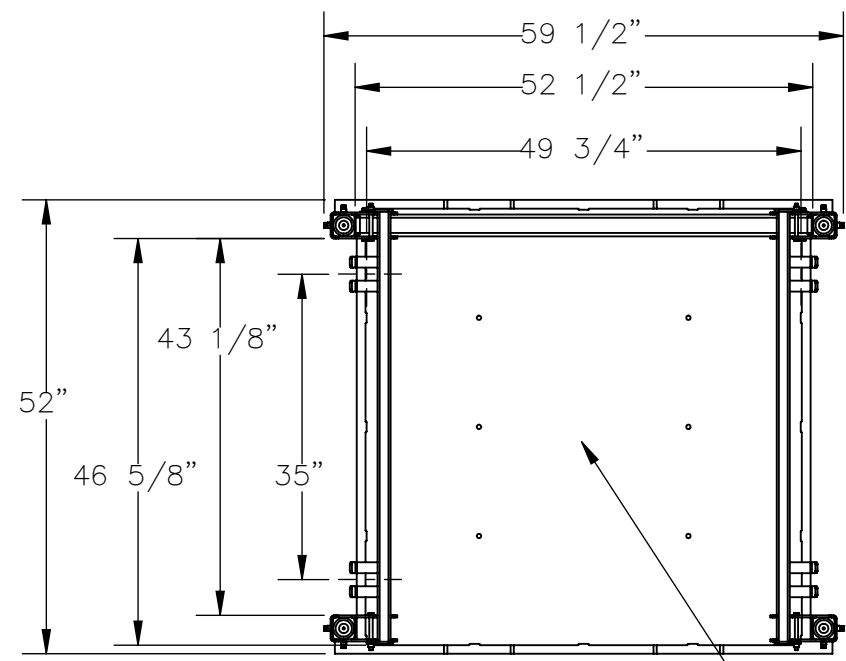


BULK BAG LIFTER RACK - BBL-RK-72

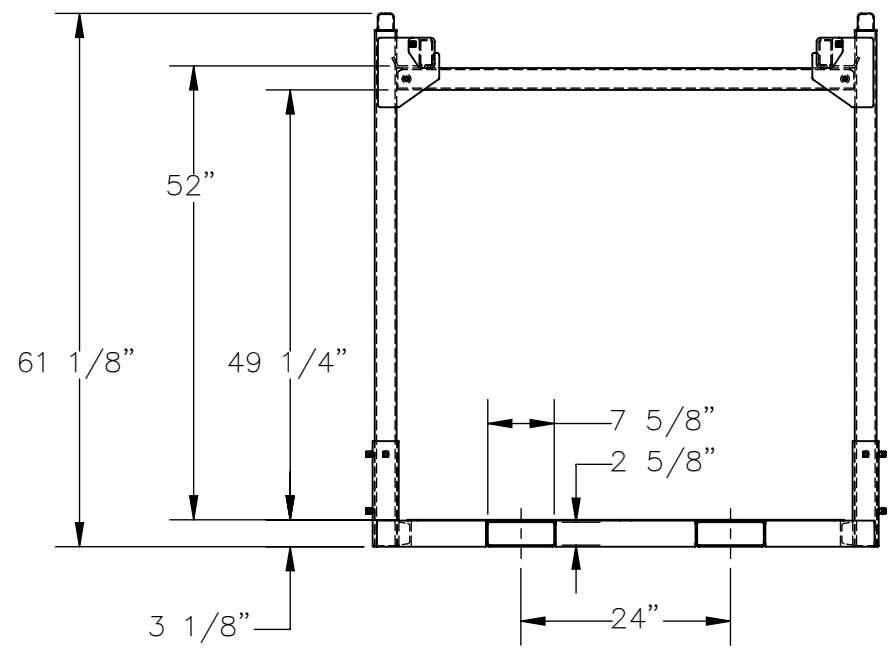
APPROX WEIGHT: 498.21 lbs.
 DOES NOT INCLUDE WEIGHT OF POWER OR PACKAGING!!!

*** ANY ADDITIONS, DELETIONS, OR OMISSIONS MUST BE CORRECTED ON THIS DRAWING AS THIS DRAWING WILL BE CONSIDERED ALL INCLUSIVE ***

ALL GRAPHICS PROVIDED ARE FOR REFERENCE ONLY. IF CERTAIN DIMENSIONS ARE CRITICAL PLEASE VERIFY THOSE DIMENSIONS WITH YOUR SALESPERSON



ACCOMMODATE
 PALLETS UP TO 42"L x 48"W



STANDARD FEATURES

- MODEL NUMBER IS: BBL-RK-72
- CAPACITY IS: 1,000 LBS
- OVERALL LENGTH IS: 52"
- USABLE LENGTH IS: 46 5/8"
- OVERALL WIDTH IS: 59 1/2"
- USABLE WIDTH IS: 52 1/2"
- OVERALL HEIGHT IS: 61 1/8"
- BASE HEIGHT IS: 3 1/8"
- FORK POCKETS: 7 5/8"L x 2 5/8"H ON 24" CENTERS
- BAG HOOKS ARE: 52" HIGH ON 35" x 49 3/4" CENTERS
- ACCOMMODATES PALLETS UP TO 48" WIDE
- TOUGH BAKED IN POWDER COATED BLUE FINISH

SPECIAL FEATURES

NONE

DIMENSION TOLERANCE ± 1/4"

A P P R O V A L	I, THE UNDERSIGNED, AGREE THAT THE PRODUCT AS REPRESENTED SATISFIES DESIGN AND DIMENSION REQUIREMENTS. I ALSO ACKNOWLEDGE MY DUTY TO CONFIRM PRODUCT AND INSTALLATION COMPLIANCE WITH ALL APPLICABLE FEDERAL, STATE AND LOCAL REGULATIONS AND STANDARDS.	
	UNITS REQUIRING APPROVAL DRAWINGS OR MODIFIED ARE NON-RETURNABLE	
	[] As drawn [] As marked	
	Signed: _____ Date: _____	
Printed Name: _____		
LEAD TIME WILL START UPON RECEIPT OF SIGNED APPROVAL DRAWING		

DISTRIBUTOR'S NAME:		P.O.#
VESTIL MANUFACTURING		X
		W.O.#
DRAWN BY: JGP		X
DATE: 3/31/2021		SALES: X
REFERENCE: X	SCALE: 1:22	FILE NAME:
QUOTED LEAD TIME: X	QUOTE # X	47-007-057