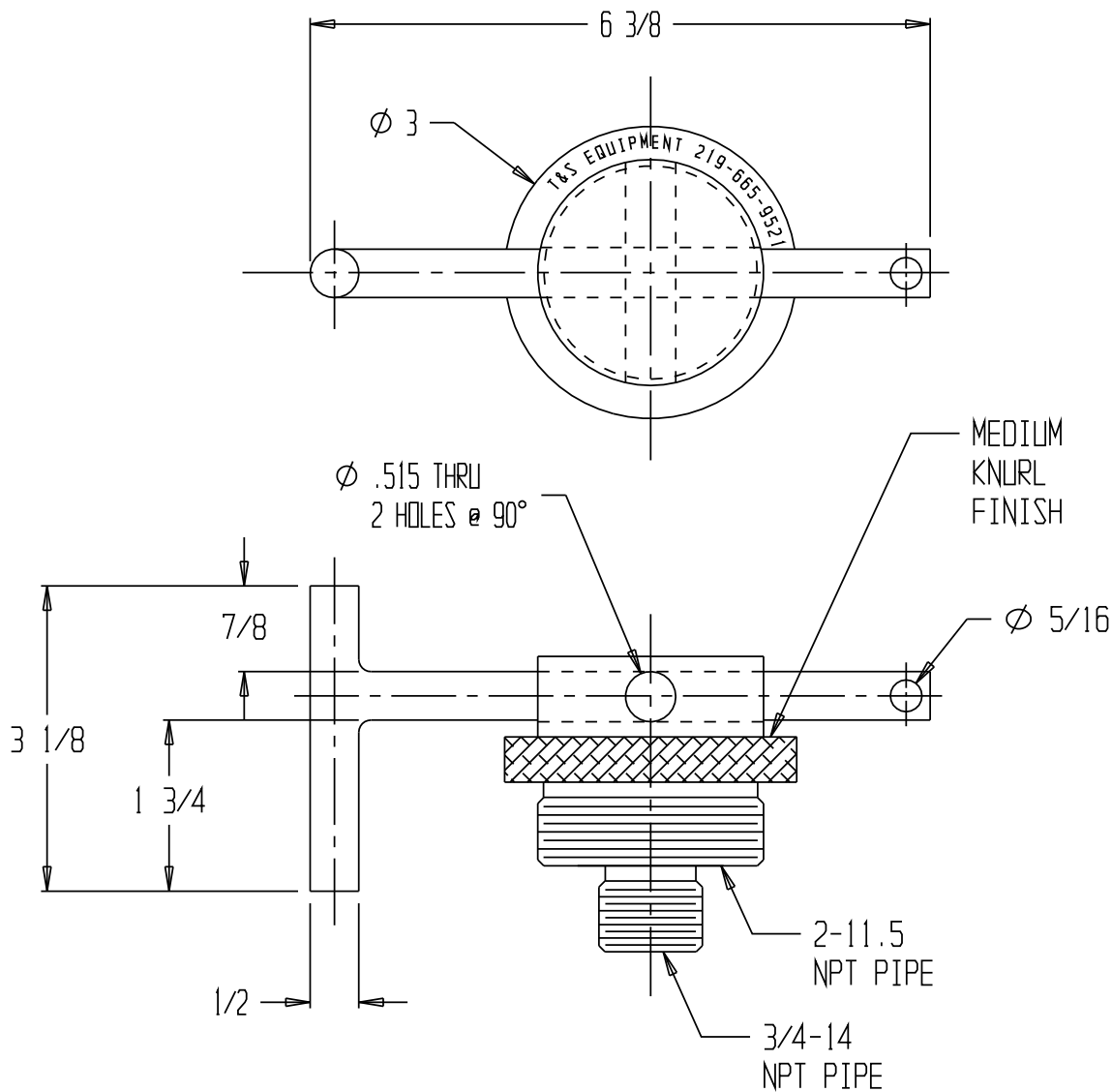


DRUM LOCK, BLD-80

**SPECIAL UNITS ARE NON-RETURNABLE
*AVAILABLE AT ADDITIONAL COSTS



STANDARD FEATURES

MODEL NUMBER: BLD-80
WORKS WITH 3/4" & 2" BUNG
MATERIAL: BRASS
(PADLOCK NOT INCLUDED)

SPECIAL FEATURES

NONE

LEAD TIME WILL START UPON
RECEIPT OF SIGNED APPROVAL
DRAWING

APPROVAL

I, the undersigned, hereby approve this print
 As drawn As marked
 This includes my approval of design & dimensions.
 Signed: _____
 Date: _____

**Any additions, deletions or omissions must
be corrected on this drawing, as this drawing
will be considered all inclusive.**

*** ALL GRAPHICS PROVIDED ARE FOR REFERENCE ONLY. IF CERTAIN DIMENSIONS
ARE CRITICAL PLEASE VERIFY THOSE DIMENSIONS WITH YOUR SALESPERSON. ***

DISTRIBUTOR'S NAME: VESTIL MANUFACTURING		P.O.#: -
DRAWN BY: SR		W.O.#: -
DATE: 1-20-09	SALES: -	
REFERENCE: -	DRWG./FILE NAME: BLD-80	
SCALE: 1:2		