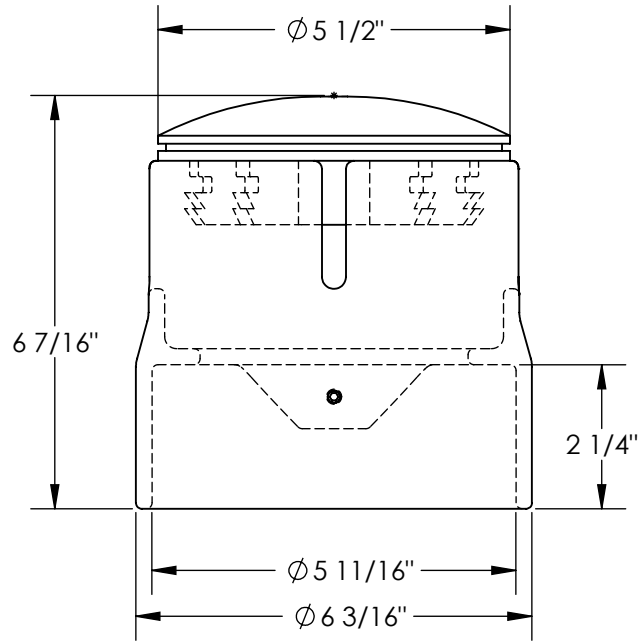


BOLLARD, CAP, CHAIN, 5.5" - BOL-CC-5.5-RF

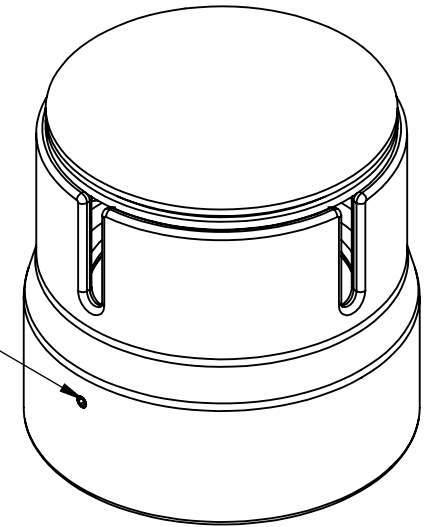
APPROX WEIGHT: 9 lbs.
DOES NOT INCLUDE WEIGHT OF POWER OR PACKAGING!!!

*** ANY ADDITIONS, DELETIONS, OR OMISSIONS MUST BE CORRECTED ON THIS DRAWING AS THIS DRAWING WILL BE CONSIDERED ALL INCLUSIVE ***

ALL GRAPHICS PROVIDED ARE FOR REFERENCE ONLY. IF CERTAIN DIMENSIONS ARE CRITICAL PLEASE VERIFY THOSE DIMENSIONS WITH YOUR SALESPERSON



NOTE: SET SCREW INCLUDED



STANDARD FEATURES

MODEL NUMBER IS BOL-CC-5.5-RF
 OUTSIDE DIAMETER IS $6 \frac{3}{16}$ "
 INSIDE DIAMETER IS $5 \frac{11}{16}$ "
 OVERALL HEIGHT IS $6 \frac{7}{16}$ "
 INSERTION HEIGHT IS $2 \frac{1}{4}$ "
 FOR USE ON $5 \frac{1}{2}$ " BOLLARDS
 BLACK REMOVABLE TOP CAP
 MATERIAL IS CAST STEEL
 FINISH IS BRIGHT ZINC PLATED

DIMENSION TOLERANCE $\pm 1/4$ "

APPROVAL	I, THE UNDERSIGNED, AGREE THAT THE PRODUCT AS REPRESENTED SATISFIES DESIGN AND DIMENSION REQUIREMENTS. I ALSO ACKNOWLEDGE MY DUTY TO CONFIRM PRODUCT AND INSTALLATION COMPLIANCE WITH ALL APPLICABLE FEDERAL, STATE AND LOCAL REGULATIONS AND STANDARDS.	
	ANY MODIFIED UNITS ARE NON-RETURNABLE	
	[] As drawn [] As marked	
Signed: _____		Date: _____
Printed Name: _____		
LEAD TIME WILL START UPON RECEIPT OF SIGNED APPROVAL DRAWING		

SPECIAL FEATURES

NONE

FOR INTERNAL USE ONLY PROJECT SIGN OFF	
SALES	
ENG.	
FAB.	
POWER	

DISTRIBUTOR'S NAME:		P.O.#
VESTIL MANUFACTURING		X
DRAWN BY: NBE		W.O.#
DATE: 4/13/2020		X
REFERENCE: X	SCALE: 1:3	SALES: X
QUOTED LEAD TIME: X	QUOTE #	FILE NAME:
	X	23-007-726