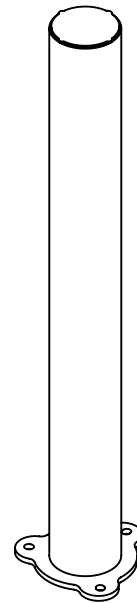
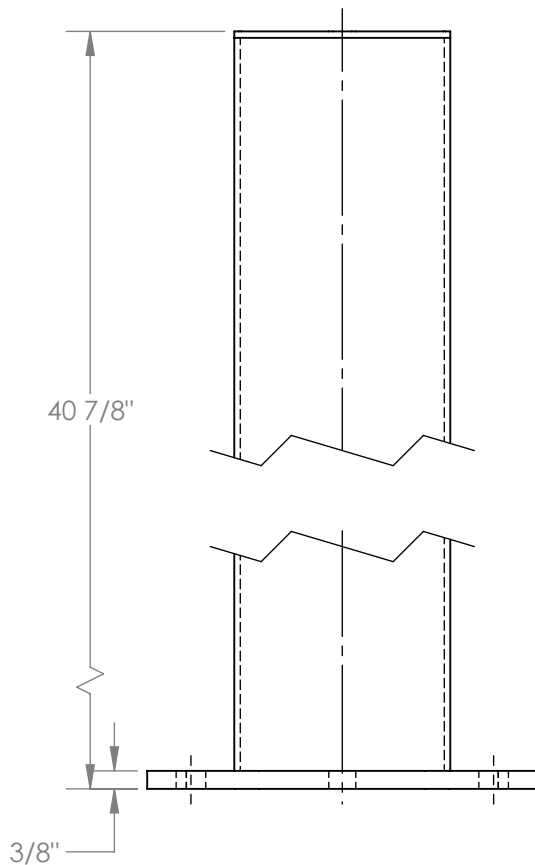
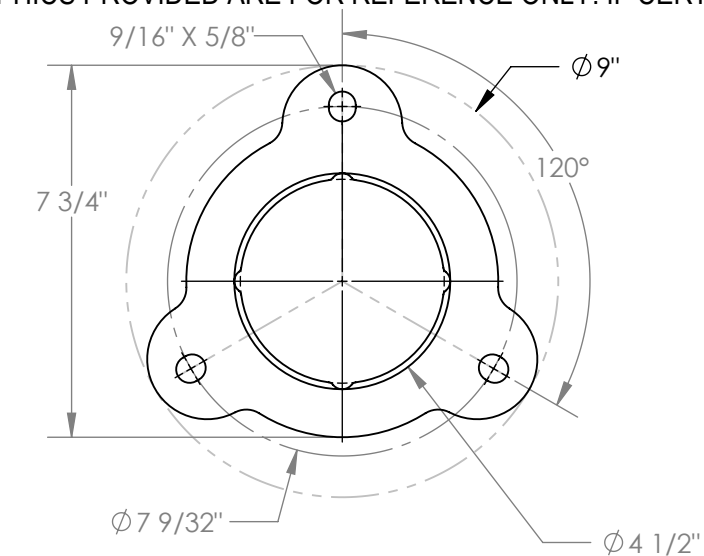


ARCHITECTURAL COLORED BOLLARDS - BOLA-42-4.5-GRN-H

APPROX WEIGHT: 24.52 lbs.
 DOES NOT INCLUDE WEIGHT OF POWER OR PACKAGING!!!

*** ANY ADDITIONS, DELETIONS, OR OMISSIONS MUST BE CORRECTED ON THIS DRAWING AS THIS DRAWING WILL BE CONSIDERED ALL INCLUSIVE ***

ALL GRAPHICS PROVIDED ARE FOR REFERENCE ONLY. IF CERTAIN DIMENSIONS ARE CRITICAL PLEASE VERIFY THOSE DIMENSIONS WITH YOUR SALESPERSON



STANDARD FEATURES

- MODEL NUMBER IS BOLA-42-4.5-GRN-H
- OVERALL DIAMETER IS $\phi 9''$
- OVERALL HEIGHT IS $40 \frac{7}{8}''$
- PIPE DIAMETER IS: $\phi 4 \frac{1}{2}''$
- LAG MOUNTING PLATE THICKNESS: $\frac{3}{8}''$
- LAG DOWN MOUNTING PLATE WITH $\frac{1}{2}''$ DIA.
- ANCHOR BOLTS (SOLD SEPERATELY) USING THE $\frac{9}{16}'' \times \frac{5}{8}''$ SLOTS
- TOUGH BAKED-IN POWDER-COAT HUNTER GREEN FINISH

SPECIAL FEATURES

NONE

DIMENSION TOLERANCE $\pm \frac{1}{4}''$

APPROVAL	I, THE UNDERSIGNED, AGREE THAT THE PRODUCT AS REPRESENTED SATISFIES DESIGN AND DIMENSION REQUIREMENTS. I ALSO ACKNOWLEDGE MY DUTY TO CONFIRM PRODUCT AND INSTALLATION COMPLIANCE WITH ALL APPLICABLE FEDERAL, STATE AND LOCAL REGULATIONS AND STANDARDS.	
	ANY MODIFIED UNITS ARE NON-RETURNABLE	
	[] As drawn [] As marked	
	Signed: _____ Date: _____	
Printed Name: _____		
LEAD TIME WILL START UPON RECEIPT OF SIGNED APPROVAL DRAWING		

FOR INTERNAL USE ONLY PROJECT SIGN OFF	
SALES	
ENG.	
FAB.	
POWER	

DISTRIBUTOR'S NAME:		P.O.#
VESTIL MANUFACTURING		X
DRAWN BY: TAL	DATE: 05/17/2016	W.O.#
REFERENCE: X	SCALE: 1:4	X
QUOTED LEAD TIME: X	QUOTE #	FILE NAME:
	X	23-007-611-002