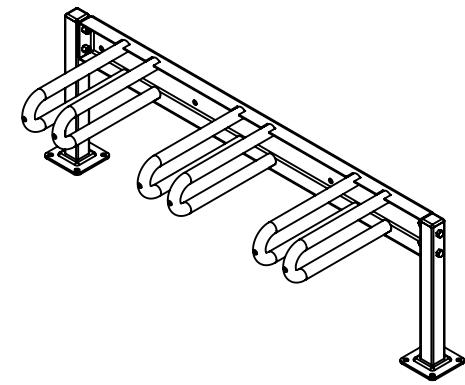
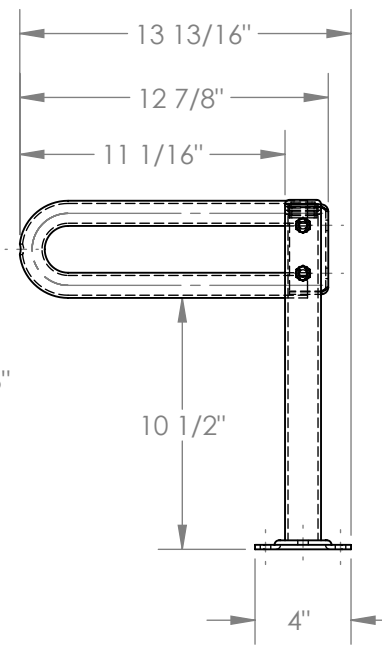
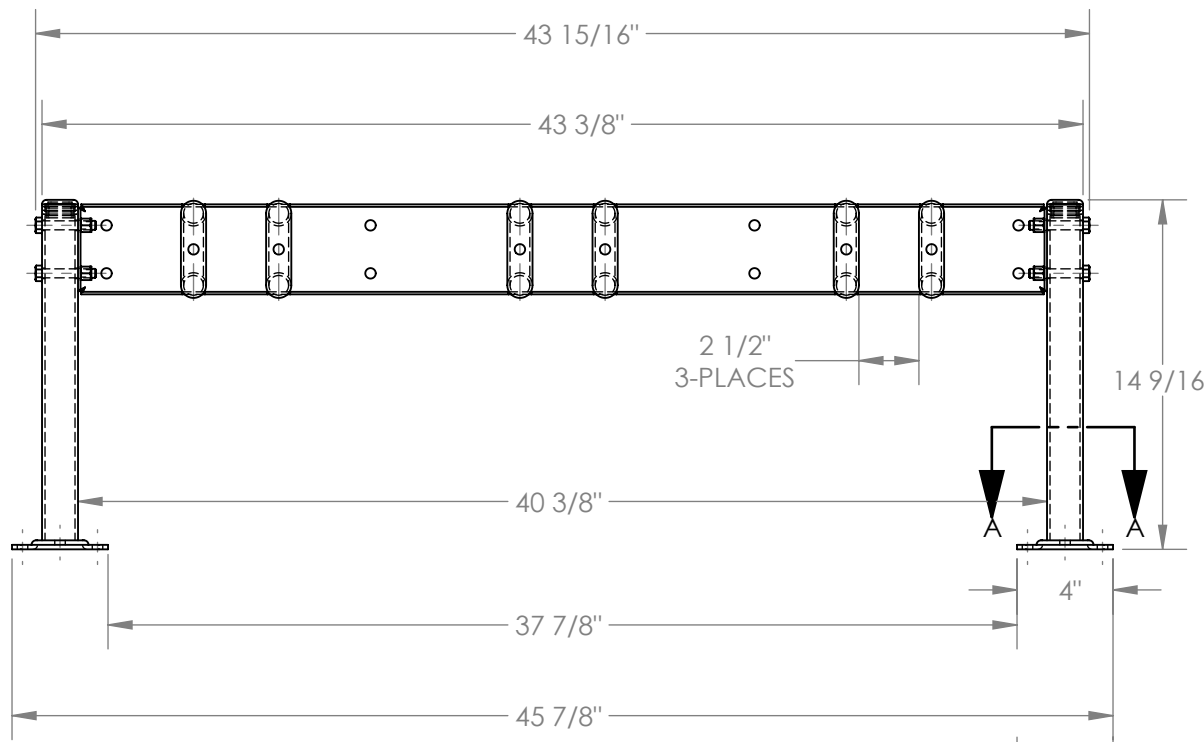


# GALVANIZED SINGLE GROUND MOUNTED BICYCLE RACK-BR-M3S-GAL

APPROX WEIGHT: 29.15 lbs. DOES NOT INCLUDE WEIGHT OF POWER OR PACKAGING!!!

\*\*\* ANY ADDITIONS, DELETIONS, OR OMISSIONS MUST BE CORRECTED ON THIS DRAWING AS THIS DRAWING WILL BE CONSIDERED ALL INCLUSIVE \*\*\*

ALL GRAPHICS PROVIDED ARE FOR REFERENCE ONLY. IF CERTAIN DIMENSIONS ARE CRITICAL PLEASE VERIFY THOSE DIMENSIONS WITH YOUR SALESPERSON



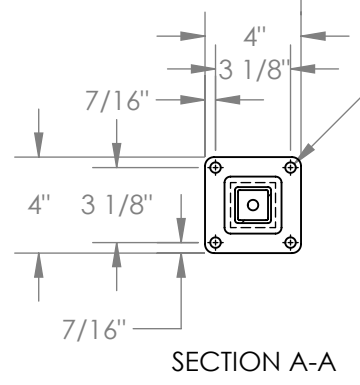
3D VIEW SHOWN FOR REFERENCE ONLY

## STANDARD FEATURES

- MODEL NUMBER IS BR-M3S-GAL
- OVERALL WIDTH IS 13 13/16"
- USABLE WIDTH IS 11 1/16"
- OVERALL LENGTH IS 45 7/8"
- USABLE LENGTH IS 43 3/8"
- OVERALL HEIGHT IS 14 9/16"
- (8) Ø7/16" MOUNTING HOLES
- GALVANIZED FINISH

## SPECIAL FEATURES

NONE



DIMENSION TOLERANCE ± 1/4"

APPROVAL

I, THE UNDERSIGNED, AGREE THAT THE PRODUCT AS REPRESENTED SATISFIES DESIGN AND DIMENSION REQUIREMENTS. I ALSO ACKNOWLEDGE MY DUTY TO CONFIRM PRODUCT AND INSTALLATION COMPLIANCE WITH ALL APPLICABLE FEDERAL, STATE AND LOCAL REGULATIONS AND STANDARDS.  
**ALL SPECIAL UNITS ARE NON-RETURNABLE**  
 As drawn     As marked

Signed: \_\_\_\_\_ Date: \_\_\_\_\_

LEAD TIME WILL START UPON RECEIPT OF SIGNED APPROVAL DRAWING

FOR INTERNAL USE ONLY PROJECT SIGN OFF	
SALES	
ENG.	
FAB.	
POWER	

DISTRIBUTOR'S NAME:		P.O.#
VESTIL MANUFACTURING		X
DRAWN BY:	DATE:	W.O.#
ND	6/29/2015	X
REFERENCE:	SCALE:	SALES:
X	1:8	X
QUOTED LEAD TIME:	QUOTE #	FILE NAME:
X	X	31-007-207