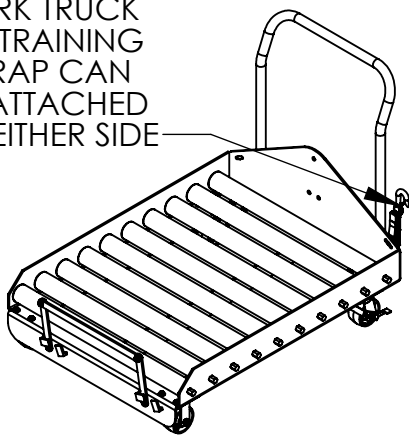


# BATTERY TRANSFER CART - BTC-CART

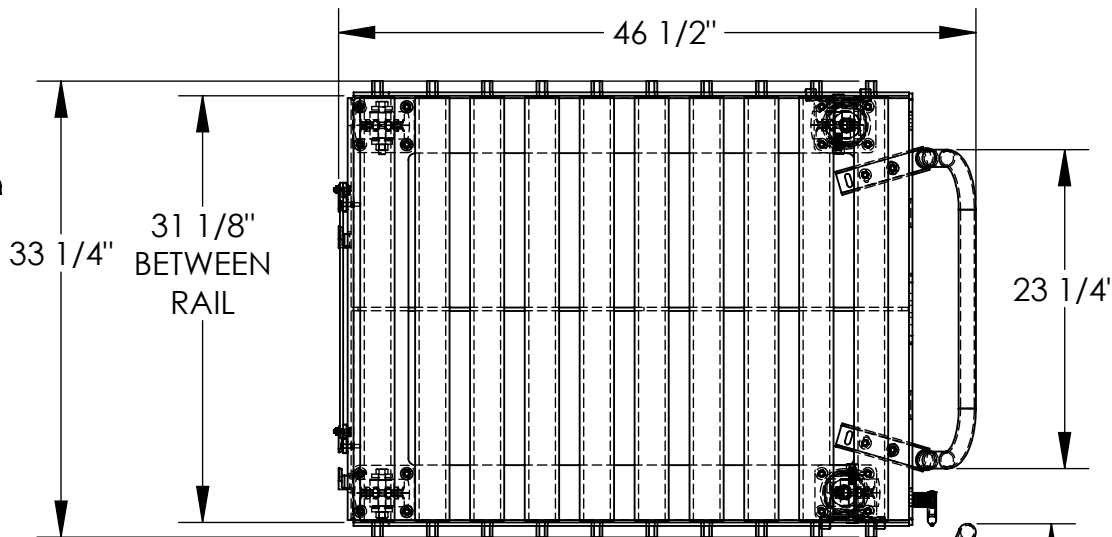
APPROX WEIGHT: 310.03 lbs.  
 DOES NOT INCLUDE WEIGHT OF POWER OR PACKAGING!!!

\*\*\*ANY ADDITIONS, DELETIONS, OR OMISSIONS MUST BE CORRECTED ON THIS DRAWING AS THIS DRAWING WILL BE CONSIDERED ALL INCLUSIVE\*\*\*

FORK TRUCK  
 RESTRAINING  
 STRAP CAN  
 BE ATTACHED  
 TO EITHER SIDE

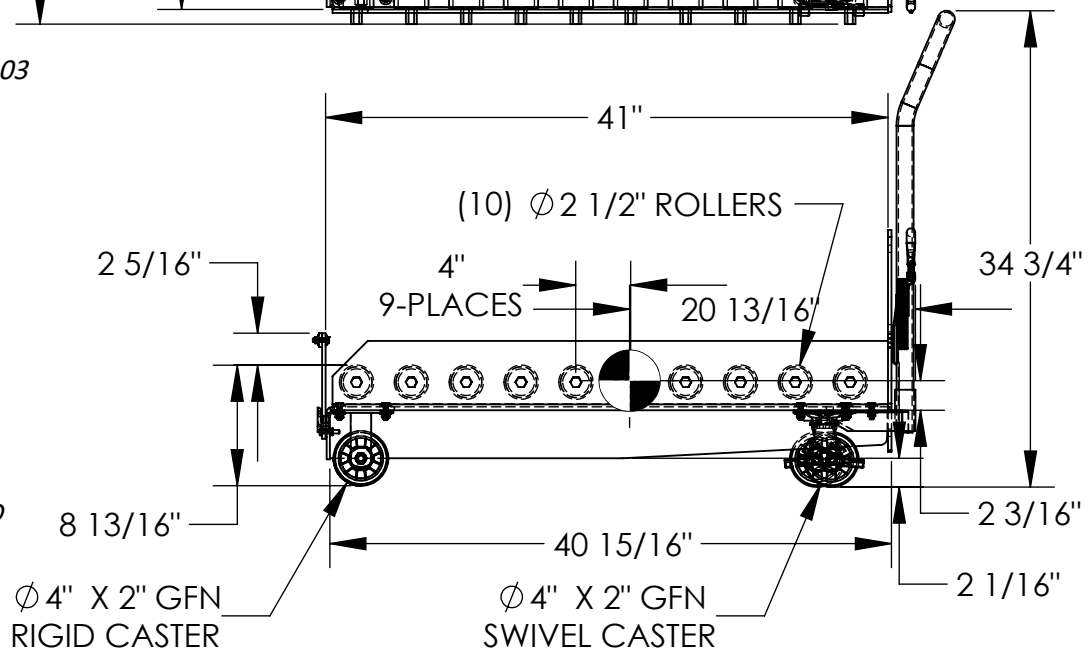


3-D VIEW  
 FOR REFERENCE



APPROX. WEIGHT / LOST LOAD = 310.03  
 MINIMUM EFFECTIVE THICKNESS =  
 FORK LENGTH - 40 15/16"  
 VERTICAL CENTER OF GRAVITY =  
 2 3/16"  
 HORIZONTAL CENTER OF GRAVITY =  
 20 13/16"

NEVER EXCEED LOAD CENTER  
 RATING PER FORKTRUCK  
 MANUFACTURERS GUIDELINES.  
 DO NOT USE THIS FORK TRUCK  
 ATTACHMENT IF LOAD WILL EXCEED  
 FORK TRUCK MANUFACTURER'S  
 LOAD CENTER RATING



ALL GRAPHICS PROVIDED ARE FOR REFERENCE ONLY. IF CERTAIN DIMENSIONS  
 ARE CRITICAL PLEASE VERIFY THOSE DIMENSIONS WITH YOUR SALESPERSON

DIMENSION TOLERANCE ± 1/4"

## STANDARD FEATURES

- MODEL NUMBER IS BTC-CART
- CAPACITY IS 4,000 LBS.
- USABLE WIDTH IS 31 1/8"
- USABLE LENGTH IS 41"
- FLOOR TO TOP OF ROLLERS IS 8 13/16" (+/- 1/8")
- OVERALL WIDTH IS 33 1/4"
- OVERALL LENGTH IS 46 1/2"
- OVERALL HEIGHT IS 34 3/4"
- NUMBER OF ROLLERS IS 10
- (2)-Ø4" X 2" GFN RIGID CASTERS
- (2)-Ø4" X 2"GFN SWIVEL CASTERS
- TOUGH BAKED IN POWDER COAT YELLOW FINSH

## SPECIAL FEATURES

NONE

<b>A P P R O V A L</b>	I, THE UNDERSIGNED, AGREE THAT THE PRODUCT AS REPRESENTED SATISFIES DESIGN AND DIMENSION REQUIREMENTS. I ALSO ACKNOWLEDGE MY DUTY TO CONFIRM PRODUCT AND INSTALLATION COMPLIANCE WITH ALL APPLICABLE FEDERAL, STATE AND LOCAL REGULATIONS AND STANDARDS.	
	<b>UNITS REQUIRING APPROVAL DRAWINGS OR MODIFIED ARE NON-RETURNABLE</b>	
	[ ] As drawn      [ ] As marked	
	Signed: _____	Date: _____
Printed Name: _____		
LEAD TIME WILL START UPON RECEIPT OF SIGNED APPROVAL DRAWING		

DISTRIBUTOR'S NAME: <b>VESTIL MANUFACTURING</b>		P.O.# X
DRAWN BY: <b>Q.WESTFALL</b>		W.O.# X
DATE: <b>06/06/07</b>		SALES: X
REFERENCE: X		SCALE: 1:14
FILE NAME: 33-007-174		QUOTED LEAD TIME: X
QUOTE # X		