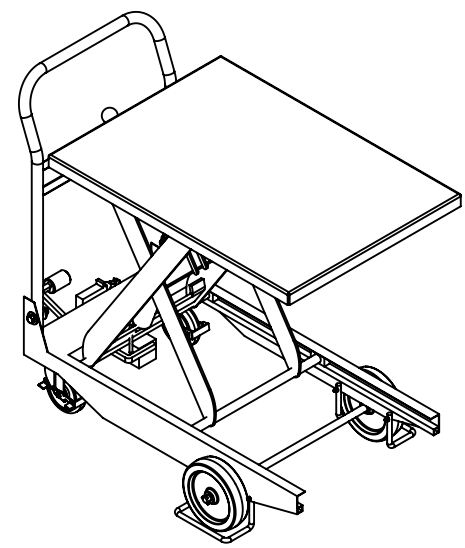
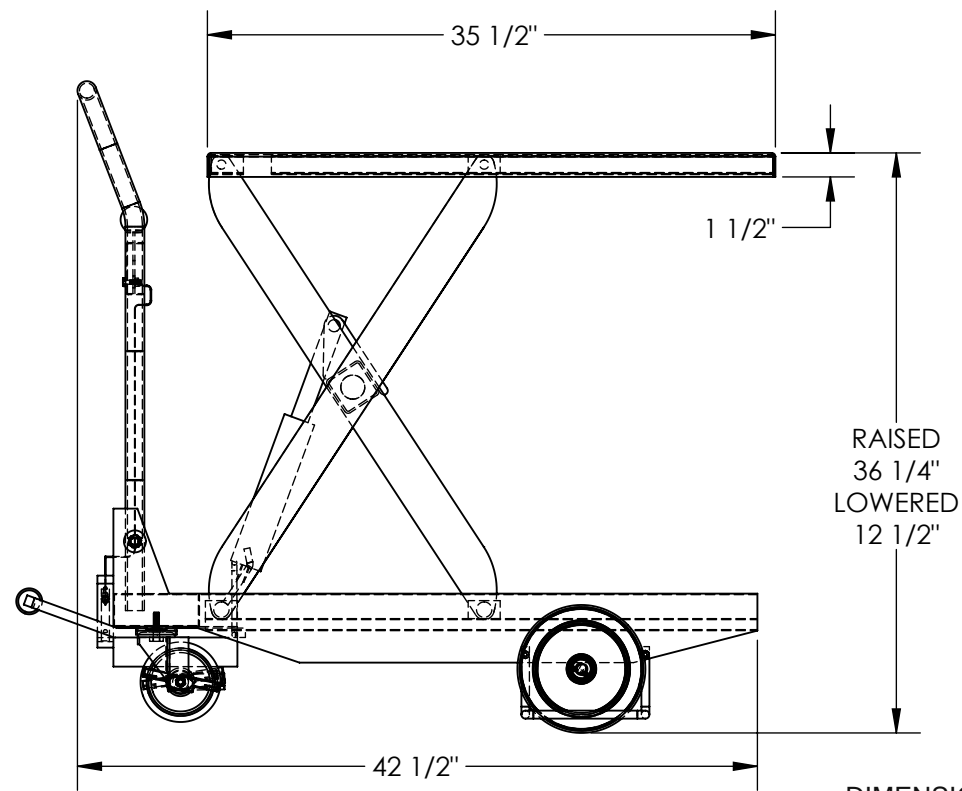
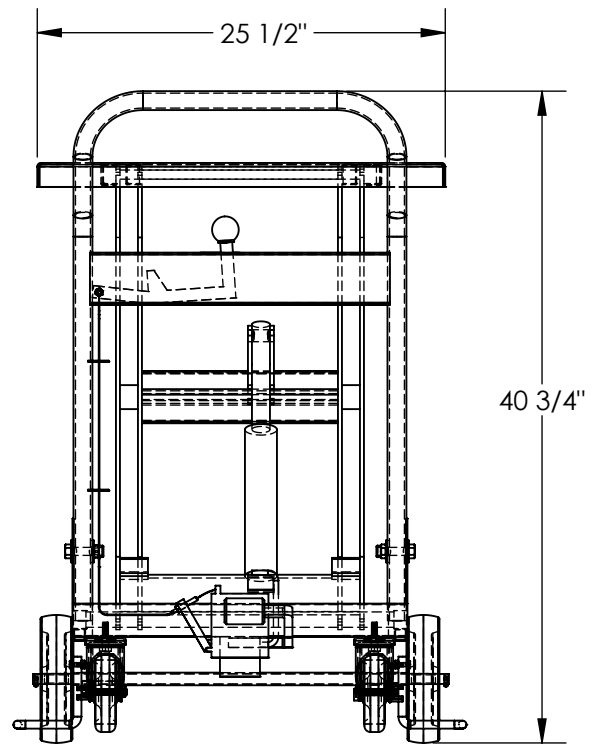


HAND RELEASE PREMIUM SCISSOR LIFT CART- CART-1000-S-HR

APPROX WEIGHT: 165.85 lbs.
DOES NOT INCLUDE WEIGHT OF POWER OR PACKAGING!!!

*** ANY ADDITIONS, DELETIONS, OR OMISSIONS MUST BE CORRECTED ON THIS DRAWING AS THIS DRAWING WILL BE CONSIDERED ALL INCLUSIVE ***
ALL GRAPHICS PROVIDED ARE FOR REFERENCE ONLY. IF CERTAIN DIMENSIONS ARE CRITICAL PLEASE VERIFY THOSE DIMENSIONS WITH YOUR SALESPERSON



DIMENSION TOLERANCE ± 1/4"

STANDARD FEATURES

- MODEL NUMBER IS CART-1000-S-HR
- PLATFORM WIDTH IS 25 1/2"
- OVERALL WIDTH IS 25 1/2"
- PLATFORM LENGTH IS 35 1/2"
- OVERALL LENGTH IS 42 1/2"
- RAISED HEIGHT IS 36 1/4"
- LOWERED HEIGHT IS 12 1/2"
- MAX CAPACITY IS 1,000

SPECIAL FEATURES

NONE

APPROVAL

I, THE UNDERSIGNED, AGREE THAT THE PRODUCT AS REPRESENTED SATISFIES DESIGN AND DIMENSION REQUIREMENTS. I ALSO ACKNOWLEDGE MY DUTY TO CONFIRM PRODUCT AND INSTALLATION COMPLIANCE WITH ALL APPLICABLE FEDERAL, STATE AND LOCAL REGULATIONS AND STANDARDS.
ALL SPECIAL UNITS ARE NON-RETURNABLE
[] As drawn [] As marked

Signed: _____ Date: _____

LEAD TIME WILL START UPON RECEIPT OF SIGNED APPROVAL DRAWING

| | | |
|----------------------|--|-----------------------|
| DISTRIBUTOR'S NAME: | | P.O.# |
| VESTIL MANUFACTURING | | X |
| DRAWN BY: CA | | DATE: 09/14/2011 |
| REFERENCE: X | | SCALE: 1:12 |
| QUOTED LEAD TIME: X | | QUOTE # X |
| | | SALES: X |
| | | FILE NAME: 01-007-105 |