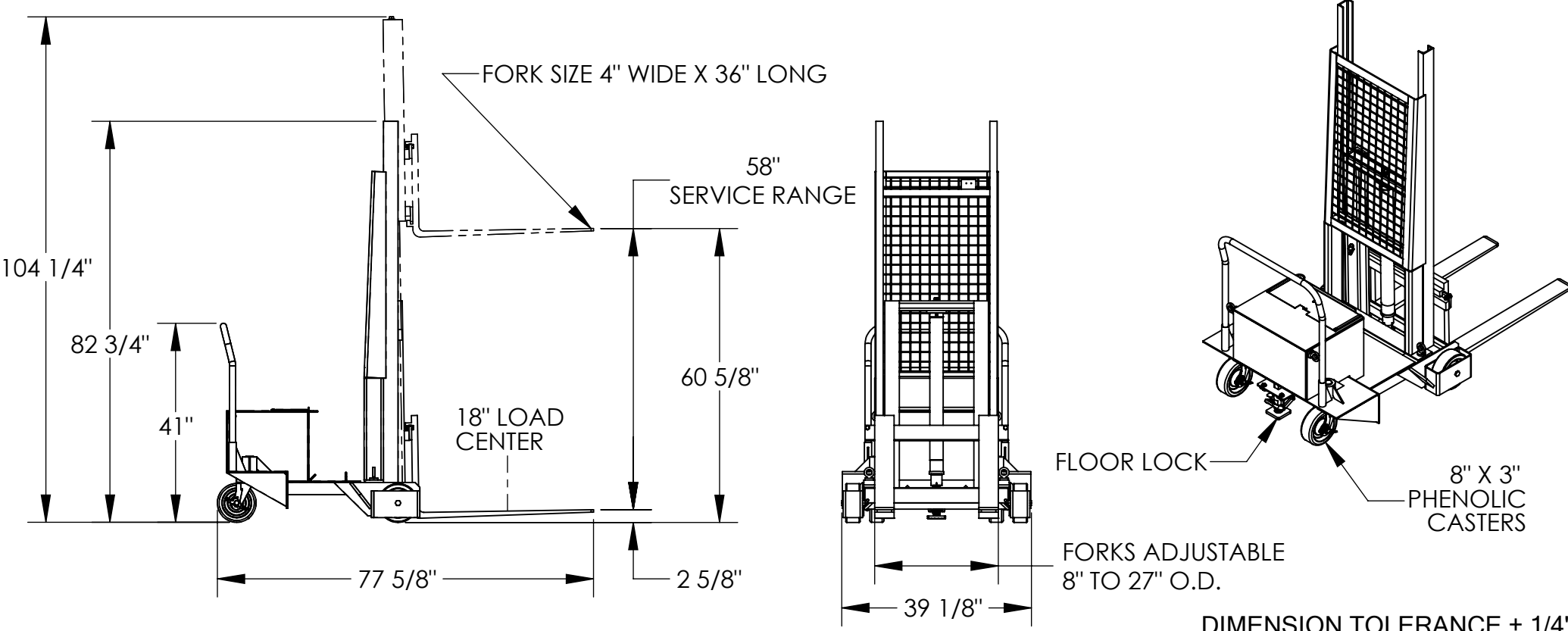


# COUNTER-BALANCED PALLET MASTER/SERVER - CB-PMPS-6-60-AIR

APPROX WEIGHT: 2118.20 lbs.  
DOES NOT INCLUDE WEIGHT OF POWER OR PACKAGING!!!

\*\*\* ANY ADDITIONS, DELETIONS, OR OMISSIONS MUST BE CORRECTED ON THIS DRAWING AS THIS DRAWING WILL BE CONSIDERED ALL INCLUSIVE \*\*\*  
ALL GRAPHICS PROVIDED ARE FOR REFERENCE ONLY. IF CERTAIN DIMENSIONS ARE CRITICAL PLEASE VERIFY THOSE DIMENSIONS WITH YOUR SALESPERSON



## STANDARD FEATURES

- MODEL NUMBER IS CB-PMPS-6-60-AIR
- COUNTER-BALANCED DESIGN
- OVERALL WIDTH IS 39 1/8"
- OVERALL LENGTH IS 77 5/8"
- OVERALL RAISED HEIGHT IS 104 1/4"
- OVERALL LOWERED HEIGHT IS 82 3/4"
- FORK RAISED HEIGHT IS 60 5/8"
- FORK LOWERED HEIGHT IS 2 5/8"
- MAXIMUM CAPACITY IS 600 LBS
- FORKS ARE 4" WIDE x 36" LONG
- MAXIMUM FORK SPREAD IS 27" O.D.
- FLOOR LOCK
- RECIPROCATING AIR POWERED HYDRAULIC
- 15 CFM @ 100 PSI (1/4 GPM)
- FOOT TREADLE CONTROL
- ALL STEEL CONSTRUCTION
- (ASTM A-36 MINIMUM)
- DURABLE LIQUID PAINT BLUE FINISH

## PLEASE CIRCLE SPECIFICATIONS:

POWER	<del>AC</del>	<del>DC (12V)</del>	<input checked="" type="checkbox"/> AIR/OIL
MOTOR VOLTAGE	<del>115</del>	<del>208</del>	<del>230</del> 460
<del>DEDICATED CIRCUIT REQUIRED</del>			
MOTOR PHASE	<del>SINGLE</del>	THREE	
CONTROL	<del>HAND</del>	FOOT	
BATTERY CHRG.	<del>REMOTE</del>	ON-BOARD	
CHRG. INDICATOR	<del>YES</del>	NO	

## SPECIAL FEATURES

NONE

USE ON LEVEL SURFACES ONLY

APPROVAL

I, THE UNDERSIGNED, AGREE THAT THE PRODUCT AS REPRESENTED SATISFIES DESIGN AND DIMENSION REQUIREMENTS. I ALSO ACKNOWLEDGE MY DUTY TO CONFIRM PRODUCT AND INSTALLATION COMPLIANCE WITH ALL APPLICABLE FEDERAL, STATE AND LOCAL REGULATIONS AND STANDARDS.  
**UNITS REQUIRING APPROVAL DRAWINGS OR MODIFIED ARE NON-RETURNABLE**  
[ ] As drawn [ ] As marked

Signed: \_\_\_\_\_ Date: \_\_\_\_\_

Printed Name: \_\_\_\_\_

LEAD TIME WILL START UPON RECEIPT OF SIGNED APPROVAL DRAWING

DISTRIBUTOR'S NAME:		P.O.#
VESTIL MANUFACTURING		X
DRAWN BY: KGH		DATE: 7/6/2016
REFERENCE: X		SCALE: 1:30
QUOTED LEAD TIME: X		QUOTE # X
		SALES: X
		FILE NAME: 15-007-110-002