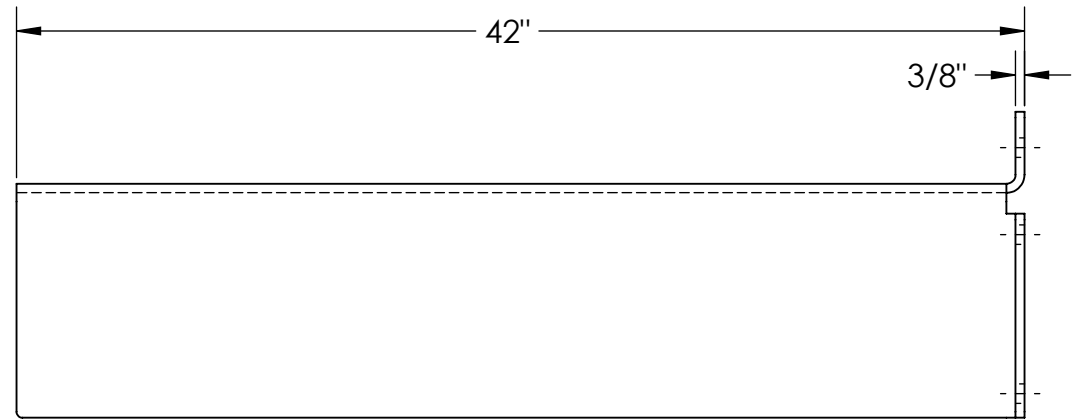
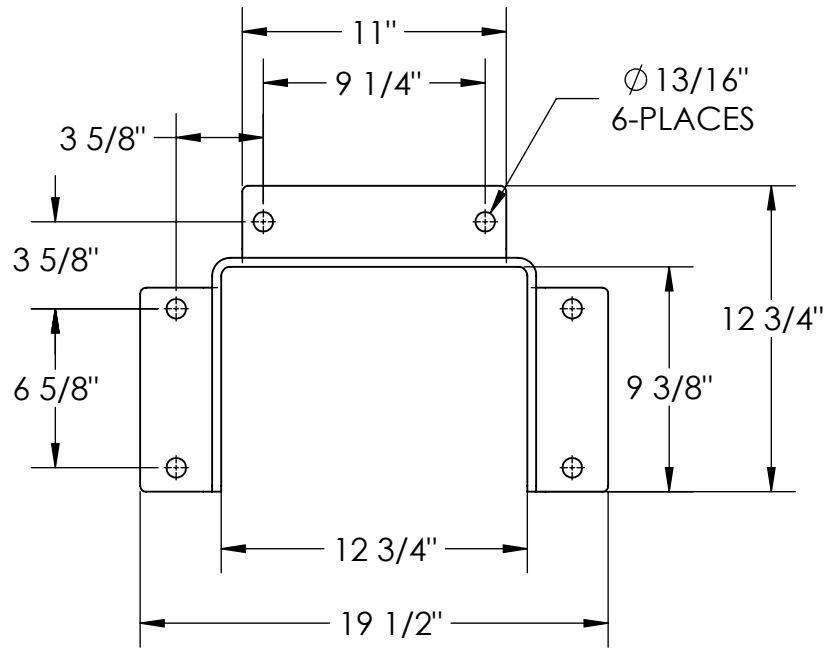


COLUMN GUARD PROTECTOR - CG-42

APPROX WEIGHT: 149.47 lbs.
 DOES NOT INCLUDE WEIGHT OF POWER OR PACKAGING!!!

*** ANY ADDITIONS, DELETIONS, OR OMISSIONS MUST BE CORRECTED ON THIS DRAWING AS THIS DRAWING WILL BE CONSIDERED ALL INCLUSIVE ***

ALL GRAPHICS PROVIDED ARE FOR REFERENCE ONLY. IF CERTAIN DIMENSIONS ARE CRITICAL PLEASE VERIFY THOSE DIMENSIONS WITH YOUR SALESPERSON

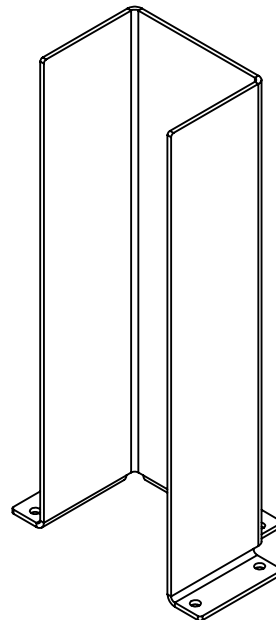


STANDARD FEATURES

MODEL NUMBER: CG-42
 OVERALL HEIGHT: 42"
 OVERALL WIDTH: 19 1/2"
 OVERALL DEPTH: 12 3/4"
 USABLE WIDTH: 12 3/4"
 USABLE DEPTH: 9 3/8"
 (6) Ø13/16" ANCHOR HOLES
 STEEL CONSTRUCTION
 TOUGH BAKED IN POWDERCOAT
 YELLOW FINISH

SPECIAL FEATURES

NONE



DIMENSION TOLERANCE ± 1/4"

I, THE UNDERSIGNED, AGREE THAT THE PRODUCT AS REPRESENTED SATISFIES DESIGN AND DIMENSION REQUIREMENTS. I ALSO ACKNOWLEDGE MY DUTY TO CONFIRM PRODUCT AND INSTALLATION COMPLIANCE WITH ALL APPLICABLE FEDERAL, STATE AND LOCAL REGULATIONS AND STANDARDS.
UNITS REQUIRING APPROVAL DRAWINGS OR MODIFIED ARE NON-RETURNABLE

As drawn As marked

APPROVAL

Signed: _____ Date: _____

Printed Name: _____

LEAD TIME WILL START UPON RECEIPT OF SIGNED APPROVAL DRAWING

DISTRIBUTOR'S NAME:		P.O.#
VESTIL MANUFACTURING		X
W.O.#	X	
DRAWN BY: AC	DATE: 7/6/05	SALES: X
REFERENCE: X	SCALE: 1:8	FILE NAME:
QUOTED LEAD TIME: X	QUOTE # X	23-007-106