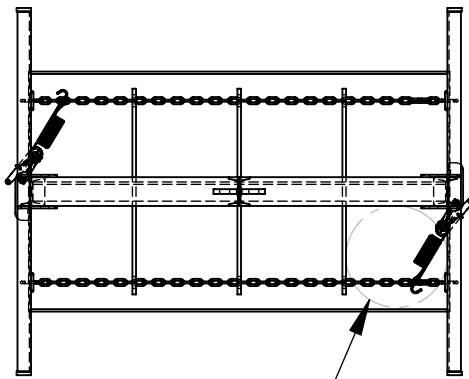


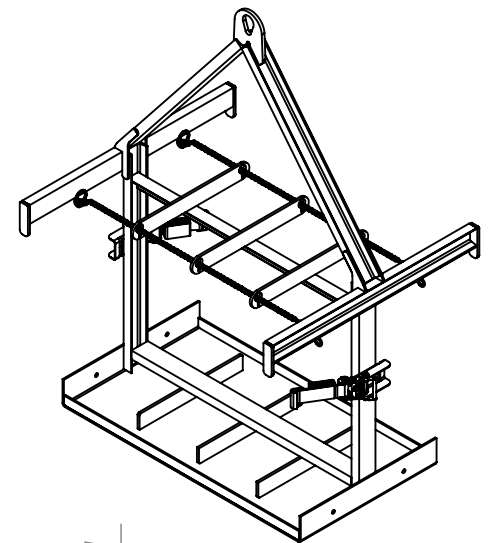
CYLINDER CADDY - CYL-P-8-LUG

APPROX WEIGHT: 253.70 lbs.
DOES NOT INCLUDE WEIGHT OF POWER OR PACKAGING!!!

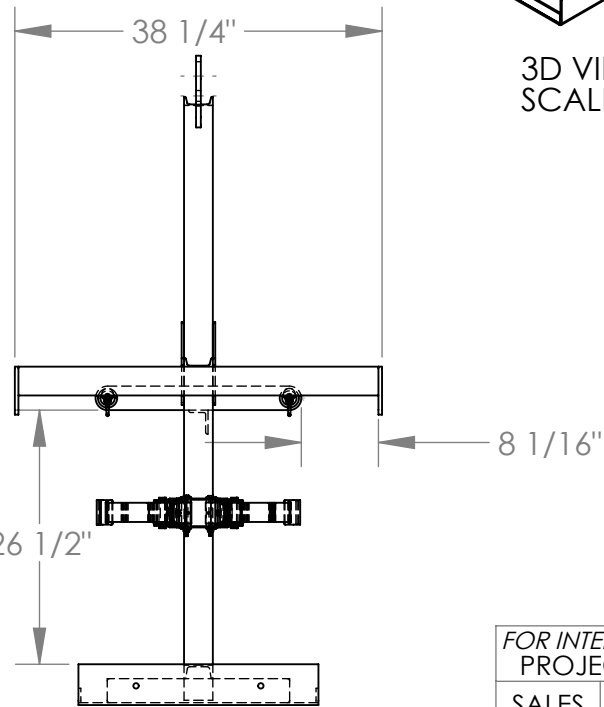
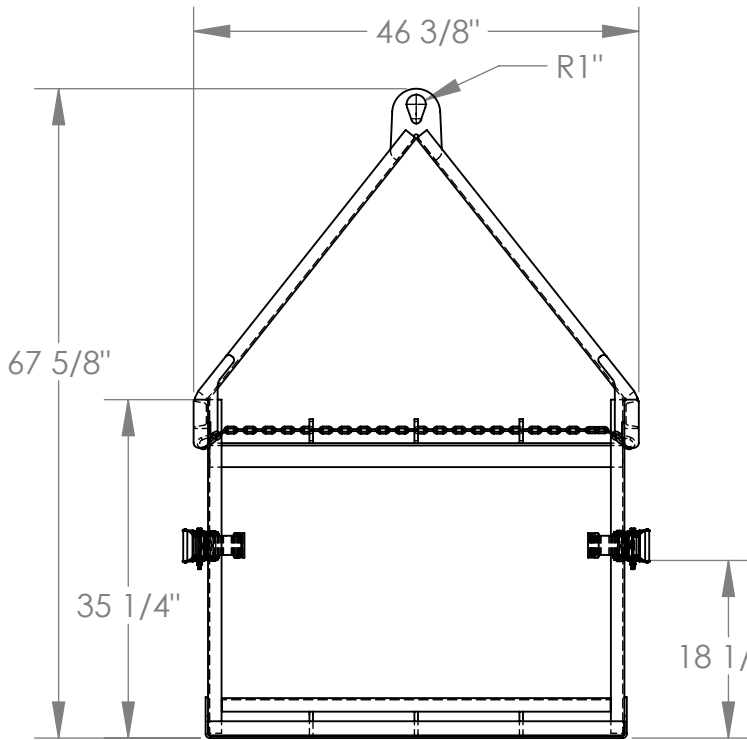
ANY ADDITIONS, DELETIONS, OR OMISSIONS MUST BE CORRECTED ON THIS DRAWING AS THIS DRAWING WILL BE CONSIDERED ALL INCLUSIVE



Ø 9 1/2" MAXIMUM
CYLINDER DIAMETER



3D VIEW
SCALE 1:25



| | |
|---|--|
| FOR INTERNAL USE ONLY PROJECT SIGN OFF | |
| SALES | |
| ENG. | |
| FAB. | |
| POWER | |

ALL GRAPHICS PROVIDED ARE FOR REFERENCE ONLY. IF CERTAIN DIMENSIONS ARE CRITICAL PLEASE VERIFY THOSE DIMENSIONS WITH YOUR SALESPERSON

DIMENSION TOLERANCE ± 1/4"

STANDARD FEATURES

MODEL NUMBER IS CYL-P-8-LUG
OVERALL WIDTH IS 38 1/4"
OVERALL LENGTH IS 46 3/8"
OVERALL HEIGHT IS 67 5/8"
FORK TRUCK MOVABLE
HOLDS 8 CYLINDERS
Ø 9 1/2" MAX CYLINDER DIAMETER
MAXIMUM CAPACITY IS 800 LBS
TOUGH BAKED IN POWDER COATED
BLUE FINISH

SPECIAL FEATURES

NONE

APPROVAL

I, THE UNDERSIGNED, AGREE THAT THE PRODUCT AS REPRESENTED SATISFIES DESIGN AND DIMENSION REQUIREMENTS. I ALSO ACKNOWLEDGE MY DUTY TO CONFIRM PRODUCT AND INSTALLATION COMPLIANCE WITH ALL APPLICABLE FEDERAL, STATE AND LOCAL REGULATIONS AND STANDARDS.

ANY MODIFIED UNITS ARE NON-RETURNABLE

As drawn As marked

Signed: _____ Date: _____

Printed Name: _____

LEAD TIME WILL START UPON RECEIPT OF SIGNED APPROVAL DRAWING

| | | |
|----------------------|-------------|------------|
| DISTRIBUTOR'S NAME: | | P.O.# |
| VESTIL MANUFACTURING | | X |
| DRAWN BY: CA | | W.O.# |
| DATE: 3/22/2012 | | X |
| REFERENCE: X | SCALE: 1:20 | SALES: X |
| QUOTED LEAD TIME: X | QUOTE # | FILE NAME: |
| | X | 33-007-241 |