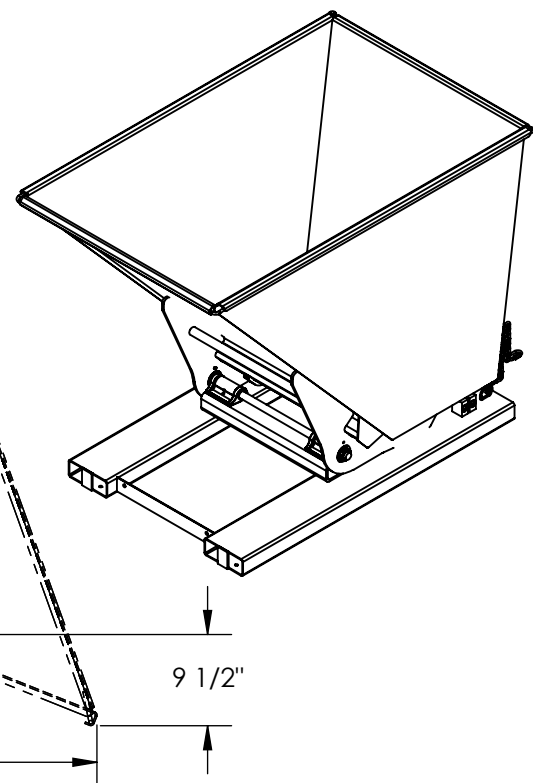
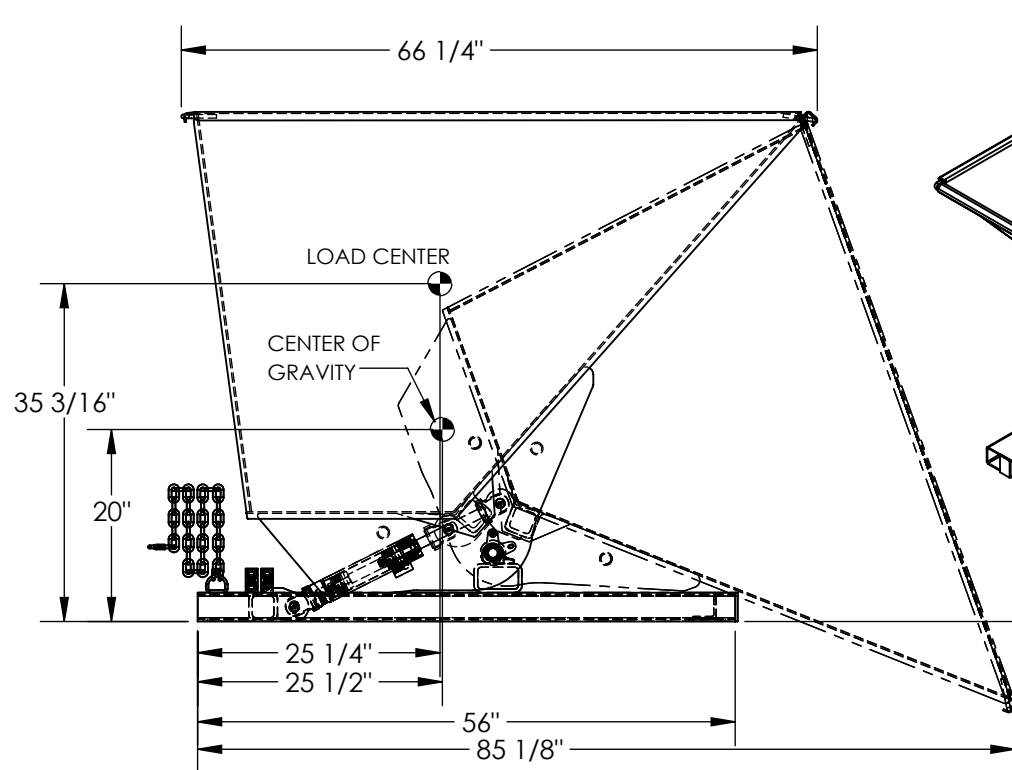
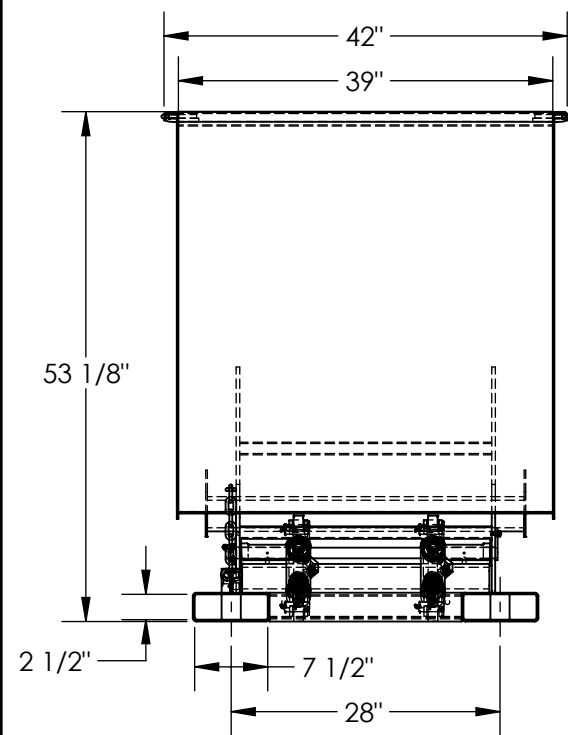


# HYDRAULIC POWERED HOPPER - D-150-HD-HYD

APPROX WEIGHT: 762.56 lbs.  
 DOES NOT INCLUDE WEIGHT OF POWER OR PACKAGING!!!

\*\*\* ANY ADDITIONS, DELETIONS, OR OMISSIONS MUST BE CORRECTED ON THIS DRAWING AS THIS DRAWING WILL BE CONSIDERED ALL INCLUSIVE \*\*\*  
 ALL GRAPHICS PROVIDED ARE FOR REFERENCE ONLY. IF CERTAIN DIMENSIONS ARE CRITICAL PLEASE VERIFY THOSE DIMENSIONS WITH YOUR SALESPERSON



DIMENSION TOLERANCE  $\pm 1/4"$

APPROX. WEIGHT / LOST LOAD = 762.56 LBS.  
 MINIMUM EFFECTIVE THICKNESS = LESS THAN 1"  
 NEVER EXCEED LOAD CENTER  
 RATING PER FORKTRUCK  
 MANUFACTURERS GUIDELINES.  
 DO NOT USE THIS FORK TRUCK  
 ATTACHMENT IF LOAD WILL  
 EXCEED FORK TRUCK MANUFACTURER'S  
 LOAD CENTER RATING

## STANDARD FEATURES

MODEL NUMBER IS D-150-HD-HYD  
 OVERALL WIDTH IS 42"  
 OVERALL LENGTH IS 66 1/4"  
 OVERALL HEIGHT IS 53 1/8"  
 MAX CAPACITY IS 6,000 LBS.  
 VOLUME IS 1.5 CU. YRDS.  
 FORK POCKETS ARE 7 1/2" x 2 1/2"  
 USABLE ON 28" CENTERS  
 HYDRAULIC POWERED DUMPING AND RETURNING OF HOPPER  
 FORK LIFT AUXILIARY CONNECTIONS ARE REQUIRED  
 TOUGH BAKED IN POWDER COATED BLUE FINISH

## SPECIAL FEATURES

NONE

APPROVAL

I, THE UNDERSIGNED, AGREE THAT THE PRODUCT AS REPRESENTED SATISFIES DESIGN AND DIMENSION REQUIREMENTS. I ALSO ACKNOWLEDGE MY DUTY TO CONFIRM PRODUCT AND INSTALLATION COMPLIANCE WITH ALL APPLICABLE FEDERAL, STATE AND LOCAL REGULATIONS AND STANDARDS.  
**UNITS REQUIRING APPROVAL DRAWINGS OR MODIFIED ARE NON-RETURNABLE**

As drawn       As marked

Signed: \_\_\_\_\_ Date: \_\_\_\_\_

Printed Name: \_\_\_\_\_

LEAD TIME WILL START UPON RECEIPT OF SIGNED APPROVAL DRAWING

DISTRIBUTOR'S NAME:		P.O.#
VESTIL MANUFACTURING		X
DRAWN BY: JWW		W.O.#
DATE: 8/30/2021		X
REFERENCE: X	SCALE: 1:20	SALES: X
QUOTED LEAD TIME: X	QUOTE # X	FILE NAME:
		37-007-165