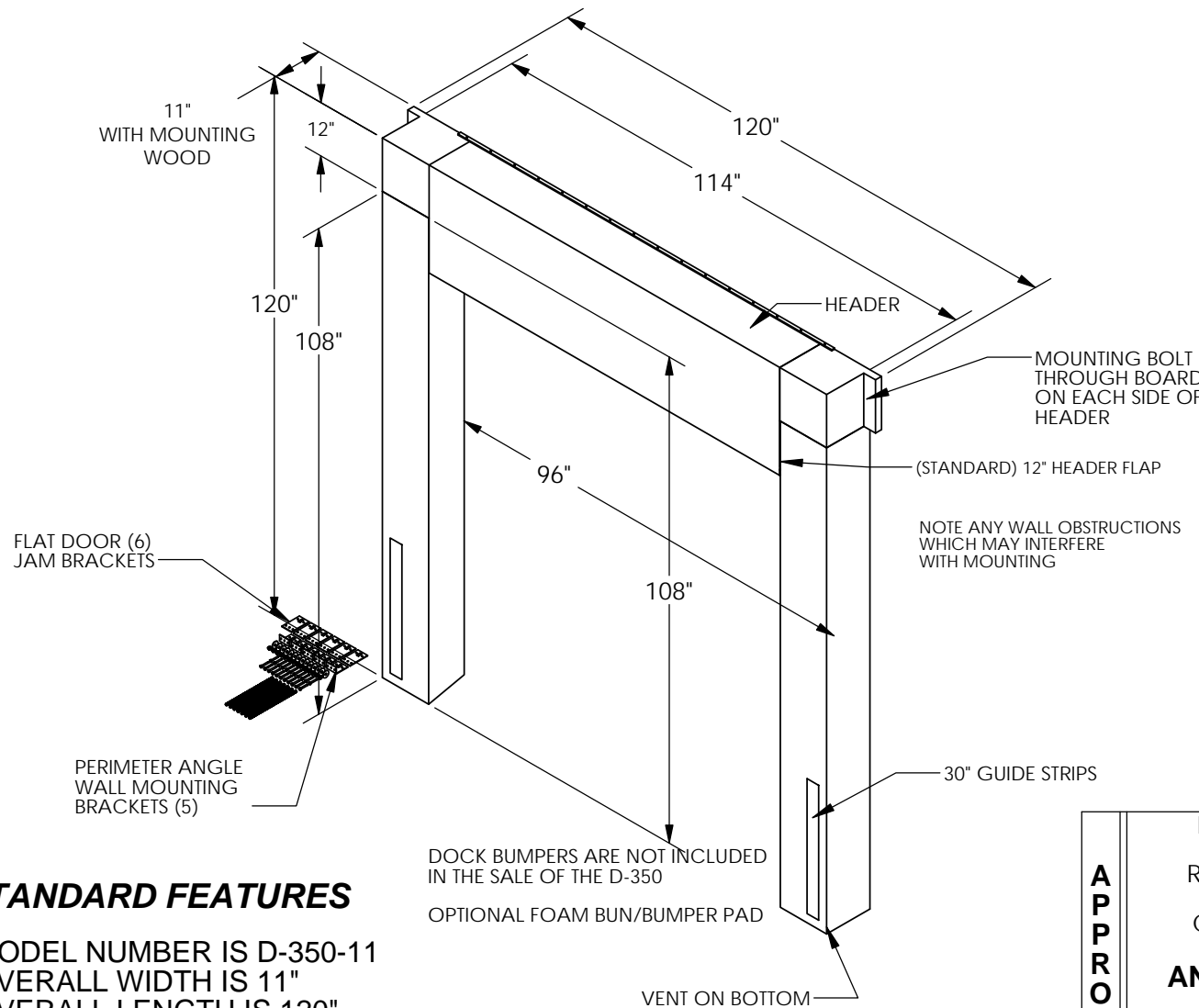


# DOCK SEAL - D-350-11

APPROX WEIGHT: 126.10 lbs.  
DOES NOT INCLUDE WEIGHT OF POWER OR PACKAGING!!!

\*\*\* ANY ADDITIONS, DELETIONS, OR OMISSIONS MUST BE CORRECTED ON THIS DRAWING AS THIS DRAWING WILL BE CONSIDERED ALL INCLUSIVE \*\*\*

ALL GRAPHICS PROVIDED ARE FOR REFERENCE ONLY. IF CERTAIN DIMENSIONS ARE CRITICAL PLEASE VERIFY THOSE DIMENSIONS WITH YOUR SALESPERSON



## \*OPTIONS:

- \_\_\_ FULL HEIGHT GUIDE STRIPS, (30" STANDARD)
  - \_\_\_ 18" HIGH HEADER (12 STANDARD)
  - \_\_\_ 12" HEADER FLAT
  - \_\_\_ BOTTOM FOAM BUN / BUMPER PAD
  - \_\_\_ 54 OUNCE FACING
  - \_\_\_ SLOPED VERTICAL SIDES DOR INCLINED OR DECLINED DOCK APPROACH
  - ARMOUR PLEATS
    - \_\_\_ TOP THREE FEET 8" EXPOSURE
    - \_\_\_ FULL HEIGHT 8" EXPOSURE
    - \_\_\_ FULL HEIGHT 4" EXPOSURE (MOST PROTECTION)
- \*AVAILABLE AT ADDITIONAL COSTS

**UNIT IS SPECIAL AND NON RETURNABLE**

DIMENSION TOLERANCE  $\pm 1/4"$

I, THE UNDERSIGNED, AGREE THAT THE PRODUCT AS REPRESENTED SATISFIES DESIGN AND DIMENSION REQUIREMENTS. I ALSO ACKNOWLEDGE MY DUTY TO CONFIRM PRODUCT AND INSTALLATION COMPLIANCE WITH ALL APPLICABLE FEDERAL, STATE AND LOCAL REGULATIONS AND STANDARDS.

**ANY MODIFIED UNITS ARE NON-RETURNABLE**

[ ] As drawn [ ] As marked

Signed: \_\_\_\_\_ Date: \_\_\_\_\_

Printed Name: \_\_\_\_\_

LEAD TIME WILL START UPON RECEIPT OF SIGNED APPROVAL DRAWING

APPROVAL

## STANDARD FEATURES

MODEL NUMBER IS D-350-11  
OVERALL WIDTH IS 11"  
OVERALL LENGTH IS 120"  
USABLE LENGTH IS 96"  
OVERALL HEIGHT IS 120"  
USEABLE HEIGHT IS 108"

## SPECIAL FEATURES

NONE

\*\* ANY ADDITIONS, DELETIONS, OR OMISSIONS MUST BE CORRECTED ON THIS DRAWING, AS THIS DRAWING WILL BE CONSIDERED ALL INCLUSIVE. \*\*

FOR INTERNAL USE ONLY PROJECT SIGN OFF	
SALES	
ENG.	
FAB.	
POWER	

DISTRIBUTOR'S NAME:		P.O.#
VESTIL MANUFACTURING		X
DRAWN BY: BCN		W.O.#
DATE: 3/7/2016		X
REFERENCE: X	SCALE: 1:32	SALES: X
QUOTED LEAD TIME: X	QUOTE #	FILE NAME:
	X	35-007-022